



OD7025 Series Datasheets

DC Fan

70 x 25mm (2.76 x 1.0in)

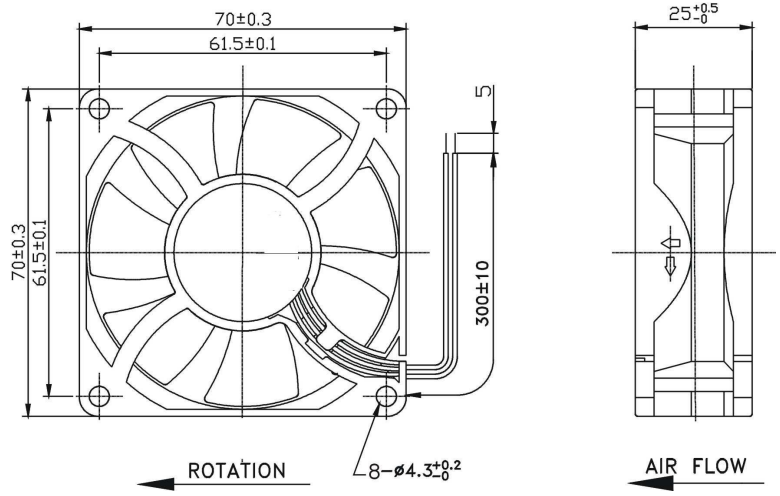


Model #	Pg #	Voltage	RPM	CFM	Noise Level	Max Static Pressure
OD7025-12HBXC	2	12 VDC	6000	57	52.3 dB	.46 H ₂ O
OD7025-12HBXC01A	3	12 VDC	6000	57	52.3 dB	.46 H ₂ O
OD7025-12HHB10A	4	12 VDC	5000	51	46 dB	.35 H ₂ O
OD7025-24HHB	5	24 VDC	5000	51	46 dB	.35 H ₂ O
OD7025-24MB	6	24 VDC	3800	33	36 dB	.20 H ₂ O

OD7025-12HBXC



DC Fan, 12VDC
70x25mm (2.76x1.0in)



Frame & Impeller	PBT, UL94V-0 plastic	Available Options IP55 Other speeds and voltages Alarm Tachometer PWM *Connection: Wire Leads - UL1007 24AWG Red(+), Black (-), Weight: 90 g	
Connection	2x Lead wires *		
Motor	Brushless DC, auto restart, polarity protected.		
Bearing System	Dual ball bearing		
Insulation Resistance	Min. 10M at 500VDC		
Dielectric Strength	1 second at 500VAC max leakage 500 microamp		
Temperature Range	-10C ~ +70C		
Storage Temperature	-40C ~ +80C		
Life (L10)	70,000 hours (40C)		

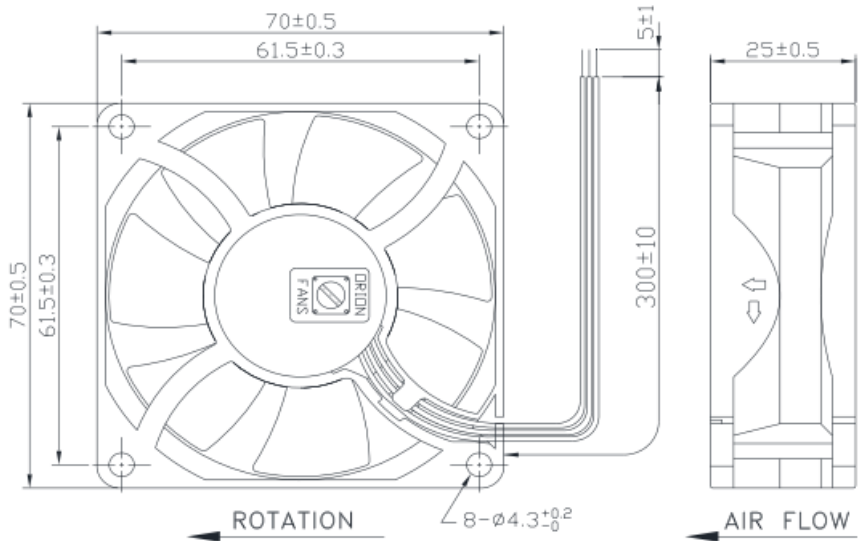
Model Number	OD7025-12HBXC
Part Number	114181001
Nominal Voltage	12 VDC
Voltage Range	7~13.2 VDC
Nominal Current	.62 A
Rated Power	9.6 Watts
Rated Speed (RPM)	6000
Airflow (CFM)	57
Noise Level (dB)	52.3
Max. Static Pressure	.46 "H ₂ O



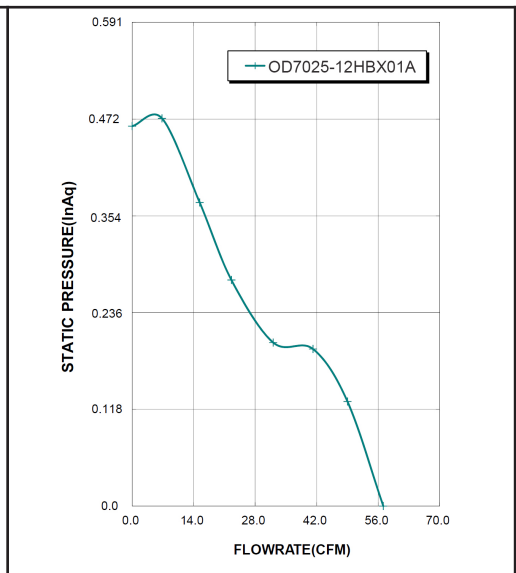
OD7025-12HBXC01A



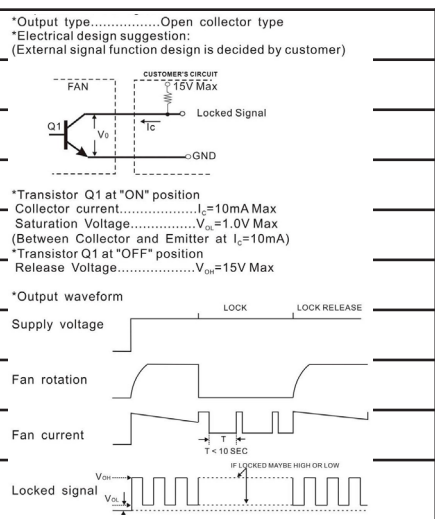
DC Fan, 12VDC
70x25mm (2.76x1.0in)



Frame & Impeller	PBT, UL94V-0 plastic	Available Options IP55 Other speeds and voltages Alarm Tachometer PWM *Connection: Wire Leads - UL1007 24AWG Red(+), Black (-), White Tachometer Weight: 90 g
Connection	3x Lead wires *	
Motor	Brushless DC, auto restart, polarity protected.	
Bearing System	Dual ball bearing	
Insulation Resistance	Min. 10M at 500VDC	
Dielectric Strength	1 second at 500VAC max leakage 500 microamp	
Temperature Range	-10C ~ +70C	
Storage Temperature	-40C ~ +80C	
Life (L10)	70,000 hours (40C)	



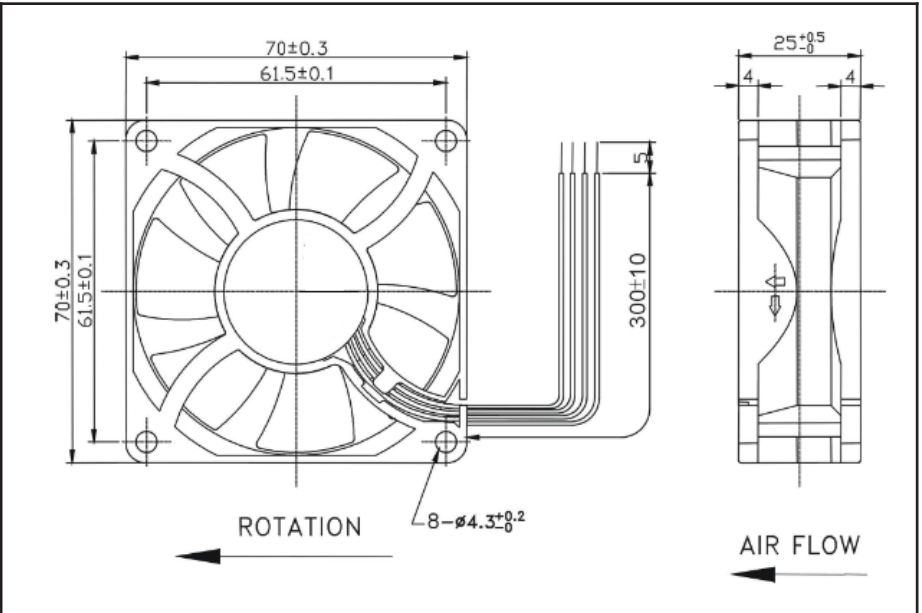
Model Number	OD7025-12HBXC01A
Part Number	114181221
Nominal Voltage	12 VDC
Voltage Range	7~13.2 VDC
Nominal Current	.62 A
Rated Power	9.6 Watts
Rated Speed (RPM)	6000
Airflow (CFM)	57
Noise Level (dB)	52.3
Max. Static Pressure	.46 "H ₂ O



OD7025-12HHB10A



DC Fan, 12VDC
70x25mm (2.76x1.0in)

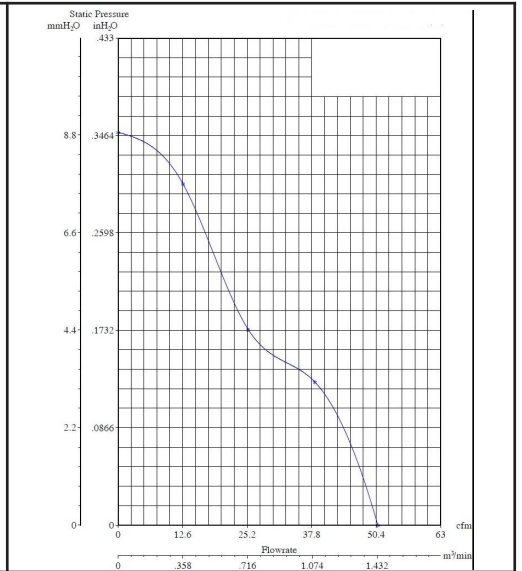


Frame & Impeller	PBT, UL94V-0 plastic
Connection	4x Lead wires *
Motor	Brushless DC, auto restart, polarity protected.
Bearing System	Dual ball bearing
Insulation Resistance	Min. 10M at 500VDC
Dielectric Strength	1 second at 500VAC max leakage 500 microamp
Temperature Range	-10C ~ +70C
Storage Temperature	-40C ~ +80C
Life (L10)	70,000 hours (40C)

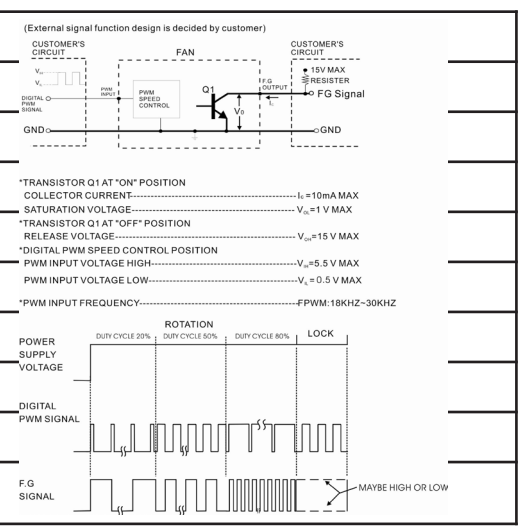
Available Options
IP55
Other speeds and voltages
Alarm

*Connection:
Wire Leads - UL1061
26AWG Red(+), Black (-),
White Tachometer,
Blue PWM

Weight: 90 g



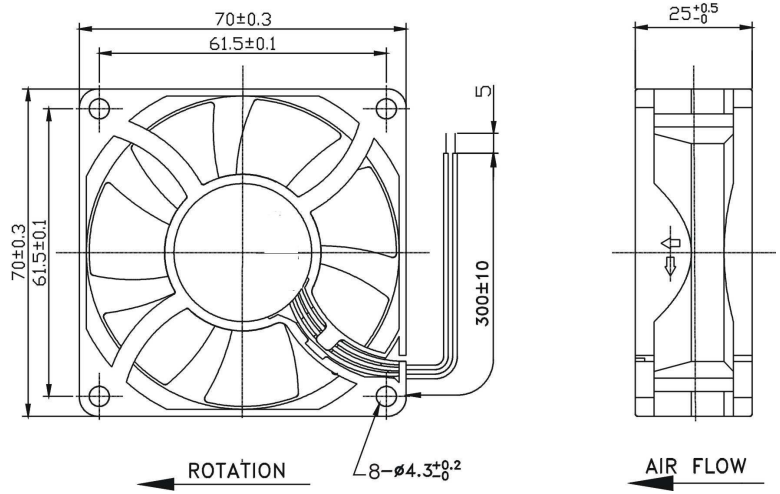
Model Number	OD7025-12HHB10A
Part Number	114151261
Nominal Voltage	12 VDC
Voltage Range	7~13.2 VDC
Nominal Current	.33 A
Rated Power	5.04 Watts
Rated Speed (RPM)	5000
Airflow (CFM)	51
Noise Level (dB)	46
Max. Static Pressure	.35 "H ₂ O



OD7025-24HHB



DC Fan, 24VDC
70x25mm (2.76x1.0in)



Frame & Impeller	PBT, UL94V-0 plastic	<u>Available Options</u> IP55 Other speeds and voltages Alarm Tachometer PWM *Connection: Wire Leads - UL1007 24AWG Red(+), Black (-), Weight: 90 g	<p>Static Pressure mmH₂O inH₂O 0.433 8.8 3.464 6.6 2.298 4.4 1.732 2.2 0.866 0</p> <p>Flowrate cfm 0 12.6 25.2 37.8 50.4 63 0 .358 .716 1.074 1.432</p>
Connection	2x Lead wires *		
Motor	Brushless DC, auto restart, polarity protected.		
Bearing System	Dual ball bearing		
Insulation Resistance	Min. 10M at 500VDC		
Dielectric Strength	1 second at 500VAC max leakage 500 microamp		
Temperature Range	-10C ~ +70C		
Storage Temperature	-40C ~ +80C		
Life (L10)	70,000 hours (40C)		

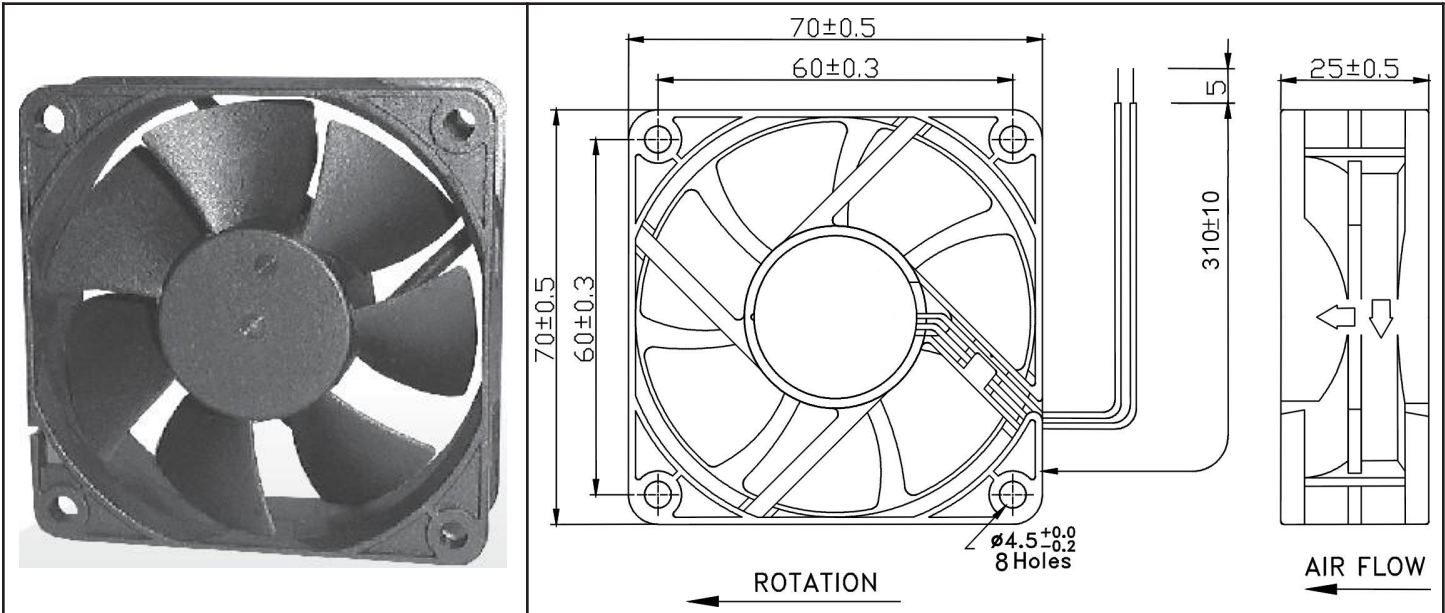
Model Number	OD7025-24HHB
Part Number	114251001
Nominal Voltage	24 VDC
Voltage Range	17~26.4 VDC
Nominal Current	.20 A
Rated Power	6.24 Watts
Rated Speed (RPM)	5000
Airflow (CFM)	51
Noise Level (dB)	46
Max. Static Pressure	.35 "H ₂ O



OD7025-24MB



DC Fan, 24VDC
70x25mm (2.76x1.0in)



Frame & Impeller	PBT, UL94V-0 plastic	<u>Available Options</u> IP55 Other speeds and voltages Alarm Tachometer PWM *Connection: Wire Leads - UL1007 24AWG Red(+), Black (-), Weight: 61 g	
Connection	2x Lead wires *		
Motor	Brushless DC, auto restart, polarity protected.		
Bearing System	Dual ball bearing		
Insulation Resistance	Min. 10M at 500VDC		
Dielectric Strength	1 second at 500VAC max leakage 500 microamp		
Temperature Range	-10C ~ +70C		
Storage Temperature	-40C ~ +80C		
Life (L10)	70,000 hours (40C)		

Model Number	OD7025-24MB
Part Number	114231001
Nominal Voltage	24 VDC
Voltage Range	17~26.4 VDC
Nominal Current	.085 A
Rated Power	2.64 Watts
Rated Speed (RPM)	3800
Airflow (CFM)	33
Noise Level (dB)	36
Max. Static Pressure	.20 "H ₂ O



X-ON Electronics

Largest Supplier of Electrical and Electronic Components

Click to view similar products for [DC Fans](#) category:

Click to view products by [Orion](#) manufacturer:

Other Similar products are found below :

[614R](#) [AUB0612L](#) [AFB0948HH-S687](#) [G2E085-AA05-10](#) [4318/12T](#) [AUB0912H-F00](#) [3412N/2ME](#) [W2G110-AM39-01](#) [8412GLV](#) [8412NGL-12](#) [6448-384](#) [4114N/17-251](#) [4318/2R](#) [4412F/2D](#) [424JMU](#) [4414/2HH](#) [4112 N/12GL-175](#) [9GA0912F402](#) [9GA0812B20011](#)
[AFB0824SHBAV1](#) [DV5214/2NP-230](#) [9GA0912H4021](#) [THC1548MGDJJ](#) [GFB1224SHG](#) [8500NU](#) [3241.124](#) [DC1203812W2B-2T0](#)
[MF40060V1-1000U-G99](#) [DC0401012V2B-3T0](#) [7F.20.9.024.1020](#) [7F.20.9.024.2055](#) [ASFP12392](#) [ASFP14391](#) [ASFP64371](#) [ASFP64391](#)
[ASFP80372](#) [ASFP84391](#) [ASFP92391](#) [ASFP94391](#) [MF92251V3-1000U-G99](#) [9A0612G402](#) [AD5012HB-C71](#) [AD5012MB-C71](#) [ASFP84372](#)
[026758A](#) [514F](#) [MEC0251V2-000U-A99](#) [412/2H](#) [4292](#) [MF40101V2-1000U-A99](#)