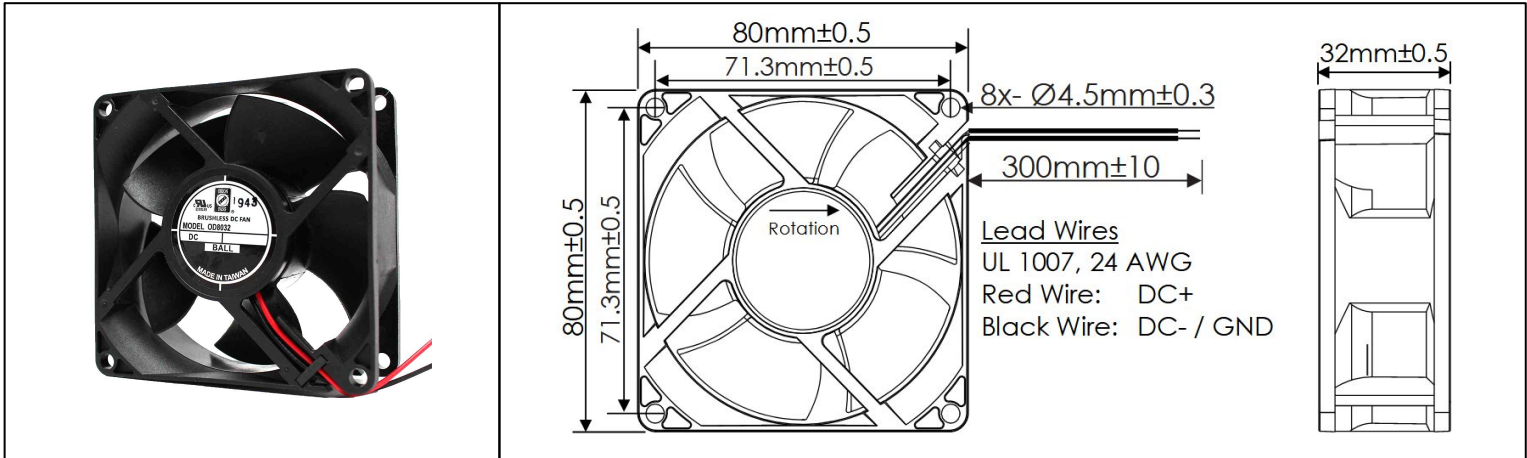


OD8032 IP Rated Series



DC Fans - 12, 24, 48V
80mm x 32mm (3.15" x 1.26")



Frame	PBT, UL94 V-0 Plastic	Operating Temperature -20°C ~ +65°C Storage Temperature -20°C ~ +75°C Life Expectancy 70,000 Hours (L10 at 40°C) Installed Options IP Rated Motor Available Options PWM Speed Control Input Tachometer Output Alarm Output Weight: 0.26 lbs	
Impeller	PBT, UL94 V-0 Plastic		
Connection	2x Lead Wires, 24 AWG		
Motor	Brushless DC, Auto Cutoff, Auto Restart, Polarity Protected, Electronically Protected, IP68 or IP69K		
Bearing System	Ball Bearings		
Dielectric Strength	500VDC/min, <1mA		
Insulation Resistance	≥10M Ohm @ 500 VDC		

Part Number	Rated Voltage (Volts DC)	Voltage Range (Volts DC)	Input Power (Watts)	Rated Current (Amps)	Rated Speed (RPM)	Max Airflow (CFM)	Noise Level (dBA)	Max Static Pressure ("H ₂ O)
OD8032-12HHBIP***	12	10 ~ 13.8	8.4	0.70	6400	83.1	53.0	0.79
OD8032-12HBIP***	12	10 ~ 13.8	7.8	0.65	5900	76.6	50.1	0.73
OD8032-12MBIP***	12	10 ~ 13.8	6.0	0.50	5500	70.8	48.0	0.61
OD8032-12LBIP***	12	10 ~ 13.8	4.8	0.40	4800	61.5	45.4	0.45
OD8032-24HBIP***	24	20 ~ 26.4	9.6	0.40	5900	76.6	50.1	0.73
OD8032-48HBIP***	48	40 ~ 52.0	10.1	0.21	5900	76.6	50.1	0.73

*** Insert "68" for IP68 Rated Motor, or "69K" for IP69K Rated Motor.

X-ON Electronics

Largest Supplier of Electrical and Electronic Components

Click to view similar products for [DC Fans](#) category:

Click to view products by [Orion](#) manufacturer:

Other Similar products are found below :

[F1238H24B-FHR](#) [F1238X24B1-FSR-TTL](#) [8312R](#) [AUB0612L](#) [F6025X12B1-RHR](#) [G4020H05B2-RSR-EM](#) [4318/12T](#) [AUB0912H-F00](#)
[3412N/2ME](#) [W2G110-AM39-01](#) [USTF501005HW](#) [8412GLV](#) [8412NGL-12](#) [6448-384](#) [3258JH](#) [4114N/17-251](#) [4412F/2D](#) [OD127AP-28HTB](#)
[424JMU](#) [1608KL-04W-B29-L00](#) [EF40101BX-1000U-G99](#) [4414/2HH](#) [512F/2P-549](#) [4112 N/12GL-175](#) [9GA0924L4021](#) [9GA0924M4021](#)
[9GA0924M4011](#) [9GA0912M4D011](#) [9GA0912F4021](#) [9GA0912H4D011](#) [9GA0824L20021](#) [9GA0824L20011](#) [9GA0812A2002](#)
[9GA0812B2D001](#) [9GA0812L20021](#) [9WP1248M1021](#) [9GA0812A2D001](#) [9GA0824L2D001](#) [9GA0912W402](#) [9GA0912M402](#)
[9GA0824B2D001](#) [9GA0824A20021](#) [9GA0912W4021](#) [9GA0924W402](#) [9GA0812L2D0011](#) [9GA0812A20021](#) [9GA0824L2001](#)
[9GA0824L2002](#) [9GA0812L2D001](#) [9GA0824L2D0011](#)