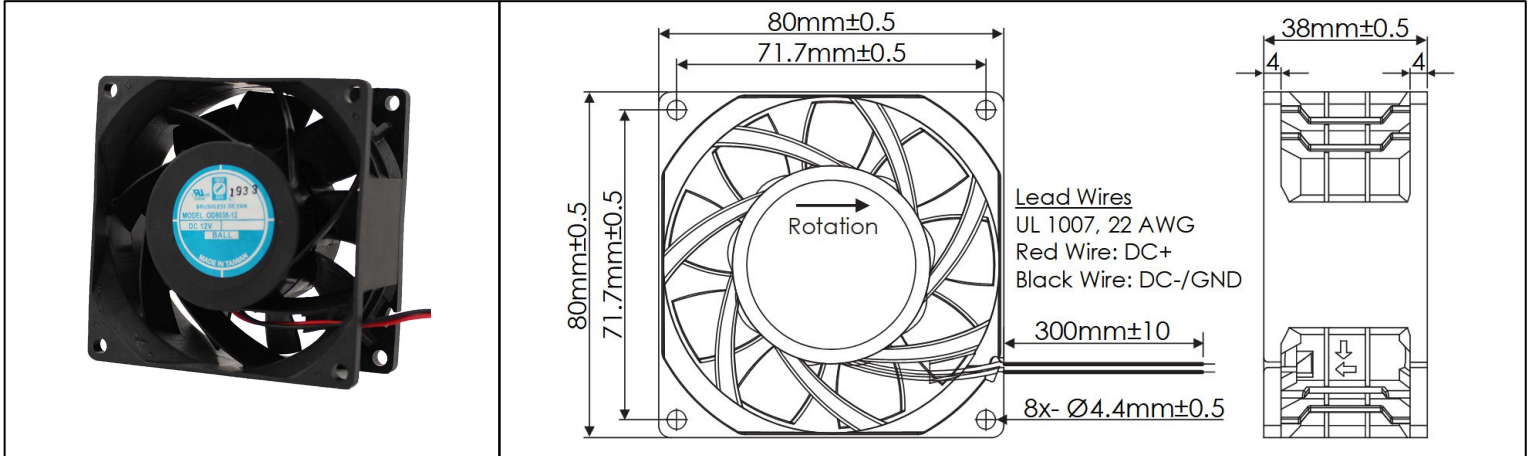


# OD8038 VXE Series



DC Fans - 12, 24, 48V  
80mm x 38mm (3.15" x 1.5")



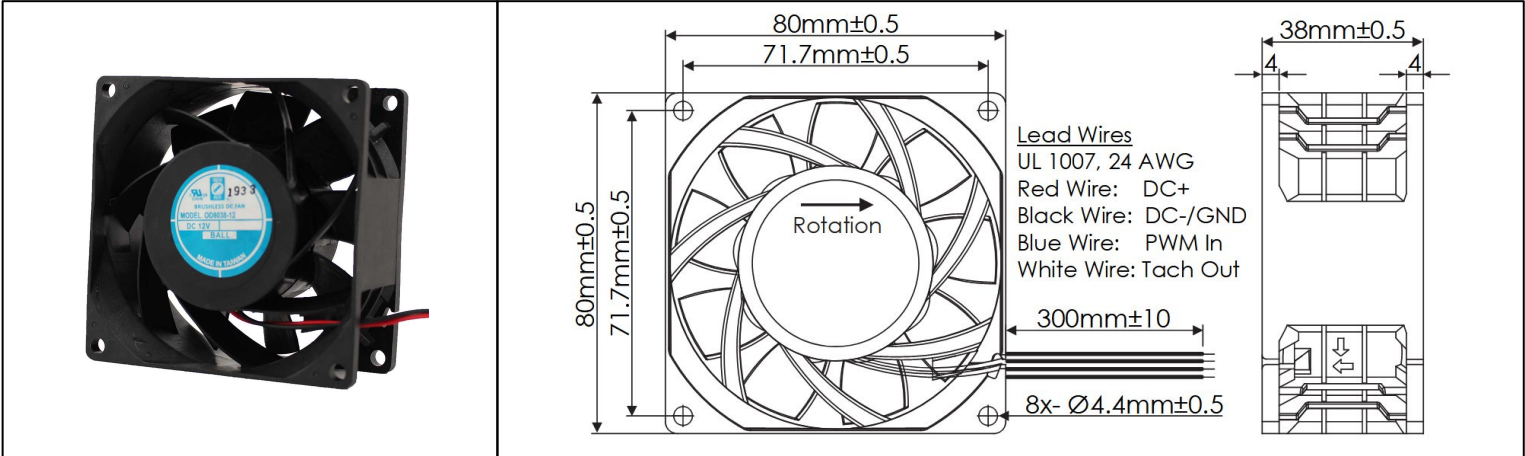
<b>Frame</b>	PBT, UL94 V-0 Plastic	<b>Operating Temperature</b> -20°C ~ +65°C  <b>Storage Temperature</b> -20°C ~ +75°C  <b>Life Expectancy</b> 70,000 Hours (L10 at 40°C)  <b>Available Options</b> PWM Speed Control Input Tachometer Output Alarm Output IP Ratings  Weight: 0.46 lbs	
<b>Impeller</b>	PBT, UL94 V-0 Plastic		
<b>Connection</b>	2x Lead Wires, 22 AWG		
<b>Motor</b>	Brushless DC, Auto Cutoff, Auto Restart, Polarity Protected, Electronically Protected		
<b>Bearing System</b>	Ball Bearings		
<b>Dielectric Strength</b>	500VDC/min, <1mA		
<b>Insulation Resistance</b>	≥10M @ 500 VDC		

Part Number	Rated Voltage (Volts DC)	Voltage Range (Volts DC)	Input Power (Watts)	Rated Current (Amps)	Rated Speed (RPM)	Max Airflow (CFM)	Noise Level (dBA)	Max Static Pressure ("H <sub>2</sub> O)
OD8038-12HHBVXE	12	8 ~ 13.8	42.0	3.50	8925	130	66.5	2.0
OD8038-12HBVXE	12	8 ~ 13.8	24.0	2.00	7400	105	62.3	1.3
OD8038-12MBVXE	12	8 ~ 13.8	15.0	1.25	6525	90	59.1	1.0
OD8038-24HHBVXE	24	15 ~ 26	45.6	1.90	8925	130	66.5	2.0
OD8038-24HBVXE	24	15 ~ 26	21.6	0.90	7400	105	62.3	1.3
OD8038-24MBVXE	24	15 ~ 26	14.5	0.60	6525	90	59.1	1.0
OD8038-48HHBVXE	48	40 ~ 52	43.2	0.90	8925	130	66.5	2.0
OD8038-48HBVXE	48	40 ~ 52	27.8	0.58	7400	105	62.3	1.3
OD8038-48MBVXE	48	40 ~ 52	24.5	0.51	6525	90	59.1	1.0

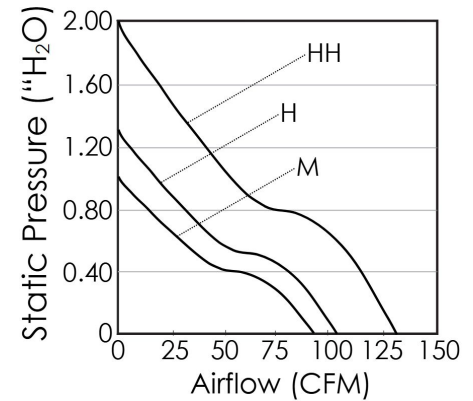
# OD8038 VXE Series with PWM and Tach



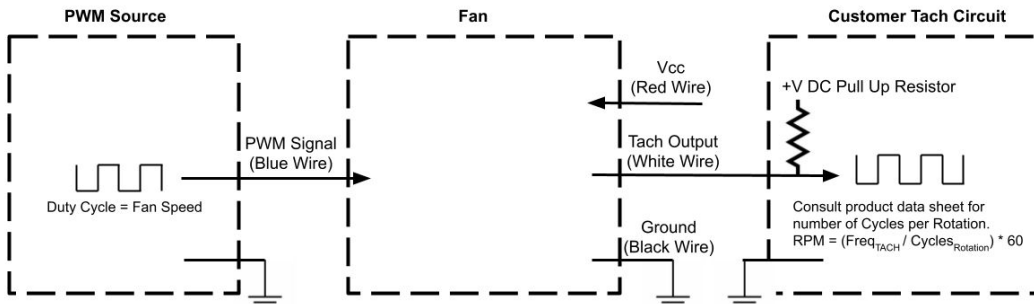
DC Fans - 12, 24, 48V  
80mm x 38mm (3.15" x 1.5")



Frame	PBT, UL94 V-0 Plastic	<b>Operating Temperature</b> -20°C ~ +65°C
Impeller	PBT, UL94 V-0 Plastic	
Connection	4x Lead Wires, 24 AWG	<b>Storage Temperature</b> -20°C ~ +75°C
Motor	Brushless DC, Auto Cutoff, Auto Restart, Polarity Protected, Electronically Protected	
Bearing System	Ball Bearings	<b>Life Expectancy</b> 70,000 Hours (L10 at 40°C)
Dielectric Strength	500VDC/min, <1mA	
Insulation Resistance	≥10M @ 500 VDC	<b>Installed Options</b> PWM Speed Control Input Open Collector Tach Output
		Weight: 0.46 lbs



Part Number	Rated Voltage (Volts DC)	Voltage Range (Volts DC)	Input Power (Watts)	Rated Current (Amps)	Rated Speed (RPM)	Max Airflow (CFM)	Noise Level (dBA)	Max Static Pressure ("H <sub>2</sub> O)
OD8038-12HHBVXE10A	12	8 ~ 13.8	42.0	3.50	8925	130	66.5	2.0
OD8038-12HBVXE10A	12	8 ~ 13.8	24.0	2.00	7400	105	62.3	1.3
OD8038-12MBVXE10A	12	8 ~ 13.8	15.0	1.25	6525	90	59.1	1.0
OD8038-24HHBVXE10A	24	15 ~ 26	45.6	1.90	8925	130	66.5	2.0
OD8038-24HBVXE10A	24	15 ~ 26	21.6	0.90	7400	105	62.3	1.3
OD8038-24MBVXE10A	24	15 ~ 26	14.5	0.60	6525	90	59.1	1.0
OD8038-48HHBVXE10A	48	40 ~ 52	43.2	0.90	8925	130	66.5	2.0
OD8038-48HBVXE10A	48	40 ~ 52	27.8	0.58	7400	105	62.3	1.3
OD8038-48MBVXE10A	48	40 ~ 52	24.5	0.51	6525	90	59.1	1.0



Tach Max Pullup Voltage: Fan Vcc  
 Tach Max Sink Current: 5mA  
 Tach Cycles per Rotation: 2  
 PWM Max High Voltage: 5V  
 PWM Max Sink Current: 5mA  
 PWM Frequency Range: 1KHz-40KHz  
 PWM Typical Frequency: 25KHz  
 RPM at 0% Duty Cycle: 0 RPM  
 RPM will be full speed if PWM input is disconnected.  
 RPM will be 0 RPM if PWM input is grounded.

## X-ON Electronics

Largest Supplier of Electrical and Electronic Components

*Click to view similar products for [DC Fans](#) category:*

*Click to view products by [Orion](#) manufacturer:*

Other Similar products are found below :

[F1238H24B-FHR](#) [F1238X24B1-FSR-TTL](#) [8312R](#) [G9225S05B2-FSR](#) [9274310103](#) [PMD1204PBB1-A \(2\).GN](#) [AD0912HB-A7BGL](#)  
[AUB0612L](#) [KD1204PKB3 \(2\).GN](#) [G4020H05B2-RSR-EM](#) [298DM-2LP11-000](#) [298DS-2LP11-000A](#) [AUB0912H-F00](#) [6222N](#)  
[USTF501005HW](#) [8412GLV](#) [8412NGL-12](#) [4114N/12HHR-297](#) [6448-384](#) [RACK0224](#) [3258JH](#) [4114N/17-251](#) [622/2N](#) [4318/2R](#) [4412F/2D](#)  
[OD127AP-28HTB](#) [424JMU](#) [1608KL-04W-B29-L00](#) [EF40101BX-1000U-G99](#) [4414/2HH](#) [AQ0612MB-A70GL\(T\)#22](#) [9GA0924L4021](#)  
[9GA0924M4021](#) [9GA0924M4011](#) [9GA0912M4D011](#) [9GA0912F4021](#) [9GA0912H4D011](#) [9GA0824L20021](#) [9GA0824L20011](#)  
[9GA0812A2002](#) [9GA0812B2D001](#) [9GA0812L20021](#) [9WP1248M1021](#) [9GA0824L2D001](#) [9GA0912W402](#) [9GA0912M402](#)  
[9GA0824B2D001](#) [9GA0824A20021](#) [9GA0912W4021](#) [9GA0924W402](#)