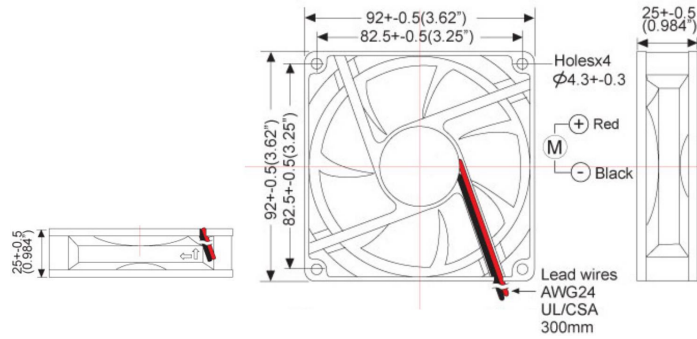


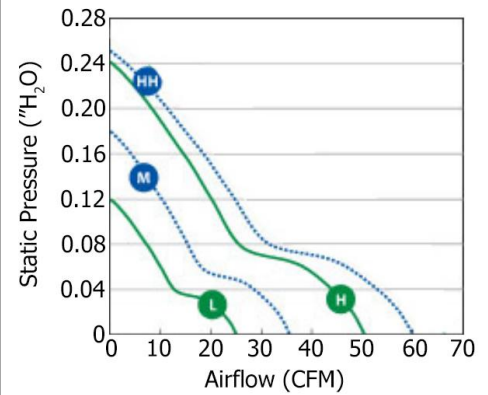
# OD9225-IP68 Series



DC Fan, 12, 24, 48V  
92x25mm (3.62"x1.0")



<b>Frame</b>	PBT, UL94 V-0 plastic	<b>Operating Temperature</b> -15°C ~ +65°C
<b>Impeller</b>	PBT, UL94 V-0 plastic	
<b>Connection</b>	2x Lead wires 24 AWG	<b>Storage Temperature</b> -25°C ~ +70°C
<b>Motor</b>	Brushless DC, Auto Restart, Polarity Protected, Electronically Protected, IP68	<b>Life Expectancy</b> 70,000 hours (L10 at 40°C)
<b>Bearing System</b>	Dual Ball Bearings	<b>Available Options</b> Tachometer Alarm PWM 5V Available
<b>Dielectric Strength</b>	500VAC/min	
<b>Insulation Resistance</b>	10M ohm between leadwires and frame (500 VDC)	
		<b>Weight: 0.21 lbs</b>
		m0



Part Number	Rated Voltage	Input Power	Rated Current	Rated Speed (RPM)	Airflow (CFM)	Noise Level (dB)	Max. Static Pressure
OD9225-12HHBIP68	12 VDC	3.0 W	0.29 A	3300	60	38	0.25\"H <sub>2</sub> O
OD9225-12HBIP68	12 VDC	3.0 W	0.29 A	2900	50	35	0.24\"H <sub>2</sub> O
OD9225-12MBIP68	12 VDC	2.1 W	0.20 A	2500	35	30	0.18\"H <sub>2</sub> O
OD9225-12LBIP68	12 VDC	1.4 W	0.12 A	1800	25	23	0.12\"H <sub>2</sub> O
OD9225-24HHBIP68	24 VDC	3.5 W	0.18 A	3300	60	38	0.25\"H <sub>2</sub> O
OD9225-24HBIP68	24 VDC	3.5 W	0.18 A	2900	50	33	0.24\"H <sub>2</sub> O
OD9225-24MBIP68	24 VDC	2.8 W	0.12 A	2500	35	30	0.18\"H <sub>2</sub> O
OD9225-24LBIP68	24 VDC	2.4 W	0.10 A	1800	25	23	0.12\"H <sub>2</sub> O
OD9225-48HHBIP68	48 VDC	4.3 W	0.09 A	3300	60	38	0.25\"H <sub>2</sub> O
OD9225-48HBIP68	48 VDC	4.3 W	0.09 A	2900	50	32	0.24\"H <sub>2</sub> O
OD9225-48MBIP68	48 VDC	2.4 W	0.05 A	2500	35	30	0.18\"H <sub>2</sub> O
OD9225-48LBIP68	48 VDC	1.9 W	0.04 A	2100	32	27	0.15\"H <sub>2</sub> O

## X-ON Electronics

Largest Supplier of Electrical and Electronic Components

*Click to view similar products for [DC Fans](#) category:*

*Click to view products by [Orion](#) manufacturer:*

Other Similar products are found below :

[614R](#) [AUB0612L](#) [AFB0948HH-S687](#) [G2E085-AA05-10](#) [4318/12T](#) [AUB0912H-F00](#) [3412N/2ME](#) [W2G110-AM39-01](#) [8412GLV](#) [8412NGL-12](#) [6448-384](#) [4114N/17-251](#) [4318/2R](#) [4412F/2D](#) [424JMU](#) [4414/2HH](#) [4112 N/12GL-175](#) [9GA0912F402](#) [9GA0812B20011](#)  
[AFB0824SHBAV1](#) [DV5214/2NP-230](#) [9GA0912H4021](#) [THC1548MGDJJ](#) [GFB1224SHG](#) [8500NU](#) [3241.124](#) [DC1203812W2B-2T0](#)  
[MF40060V1-1000U-G99](#) [DC0401012V2B-3T0](#) [7F.20.9.024.1020](#) [7F.20.9.024.2055](#) [ASFP12392](#) [ASFP14391](#) [ASFP64371](#) [ASFP64391](#)  
[ASFP80372](#) [ASFP84391](#) [ASFP92391](#) [ASFP94391](#) [MF92251V3-1000U-G99](#) [9A0612G402](#) [AD5012HB-C71](#) [AD5012MB-C71](#) [ASFP84372](#)  
[026758A](#) [514F](#) [MEC0251V2-000U-A99](#) [412/2H](#) [4292](#) [MF40101V2-1000U-A99](#)