



OD9238 Series

DC Fan - 12V, 24V
92 x 38mm (3.62 x 1.5in)



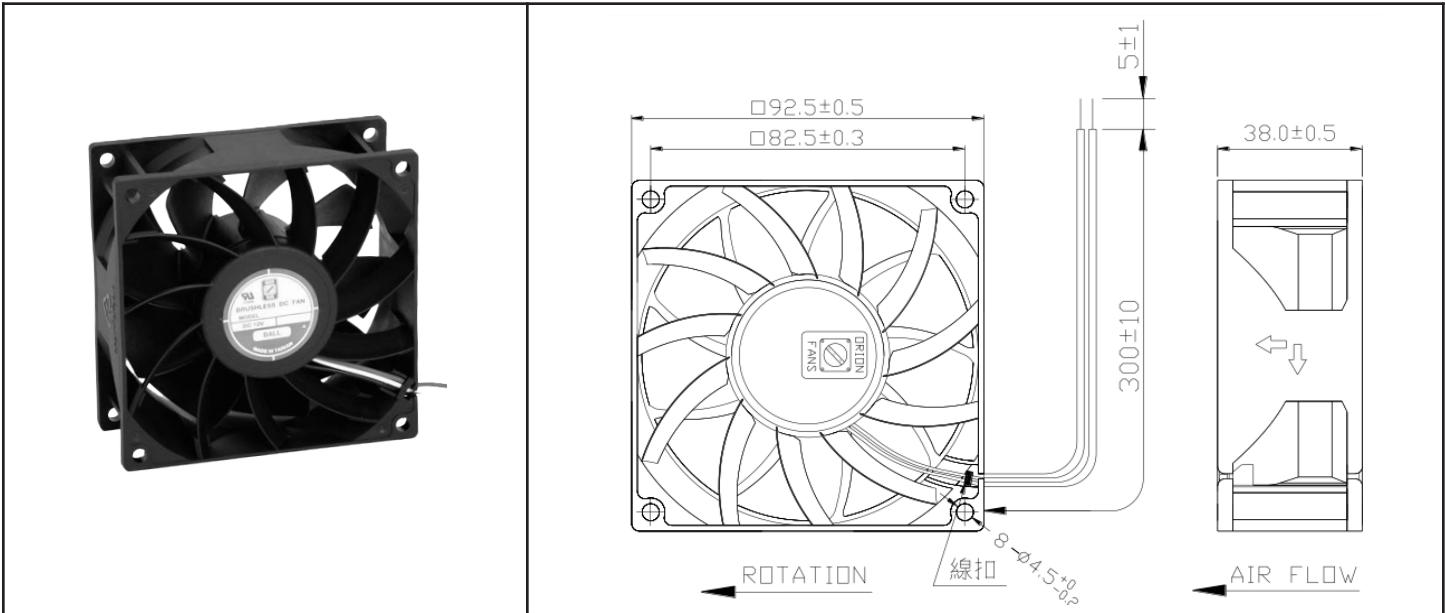
Model #	Pg #	Voltage	RPM	CFM	Noise Level	Max Static Pressure
OD9238-12MB	2	12 VDC	3600	90	47 dB	.34 H ₂ O
OD9238-24HB	3	24 VDC	4000	90	50 dB	.40 H ₂ O
OD9238-24HB02A	4	24 VDC	4000	90	50 dB	.40 H ₂ O

** For some models and part numbers, minimum order quantities may apply.

OD9238-12MB



DC Fan, 12VDC
92x38mm (3.62x1.5in)



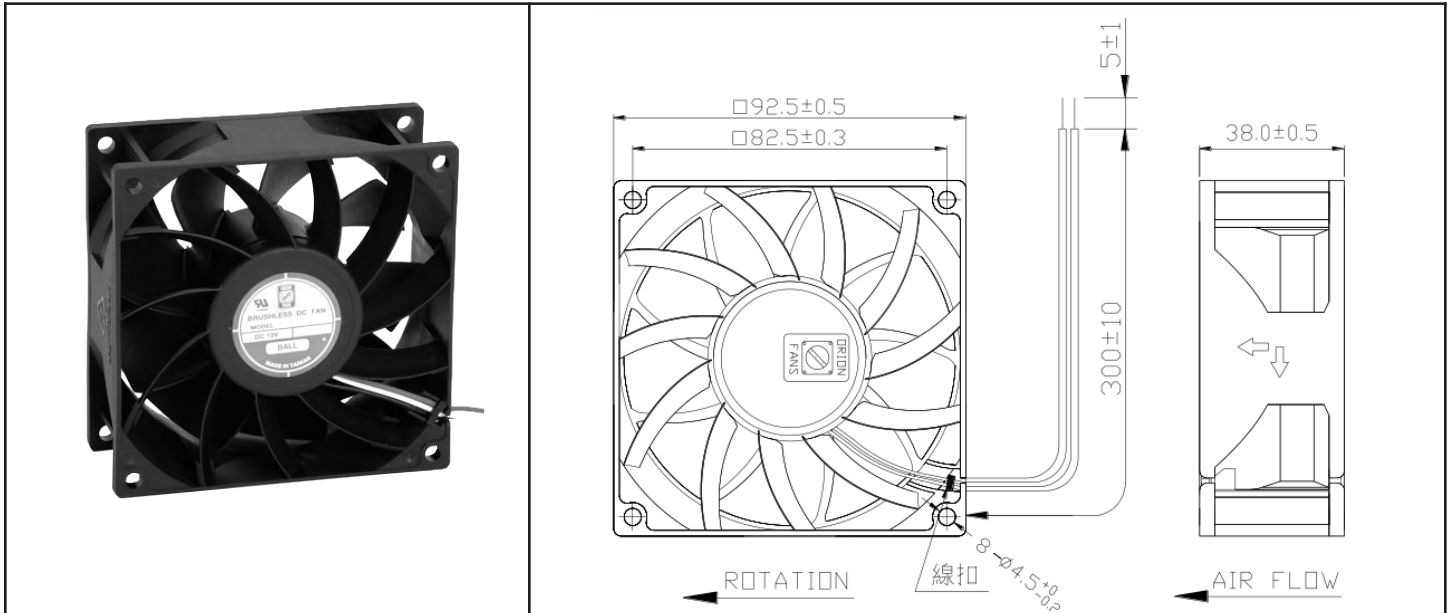
Frame & Impeller	PBT, UL94V-0 plastic	Available Options IP55 Other speeds and voltages Alarm PWM Tach *Connection: Wire Leads - UL1007 24AWG Red(+), Black (-), Weight: 210 g	
Connection	2x Lead wires *		
Motor	Brushless DC, auto restart, polarity protected.		
Bearing System	Dual ball bearing		
Insulation Resistance	Min. 10M at 500VDC		
Dielectric Strength	1 second at 500VAC max leakage 500 microamp		
Temperature Range	-10C ~ +70C		
Storage Temperature	-40C ~ +80C		
Life (L10)	70,000 hours (40C)		

Model Number	OD9238-12MB
Part Number	196131001
Nominal Voltage	12 VDC
Voltage Range	7~13.2 VDC
Nominal Current	.45 A
Rated Power	12 Watts
Rated Speed (RPM)	3600
Airflow (CFM)	90
Noise Level (dB)	47
Max. Static Pressure	.34 "H ₂ O

OD9238-24HB



DC Fan, 24VDC
92x38mm (3.62x1.5in)



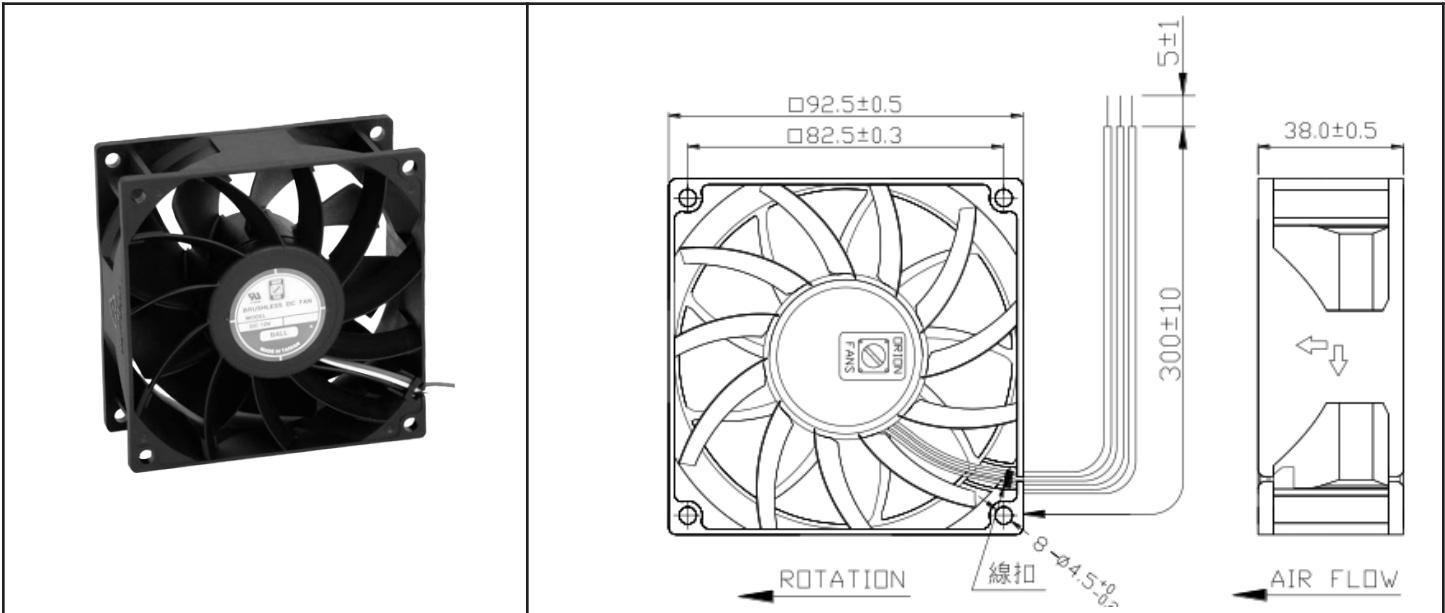
Frame & Impeller	PBT, UL94V-0 plastic	Available Options IP55 Other speeds and voltages Tachometer PWM Alarm *Connection: Wire Leads - UL1007 24AWG Red(+), Black (-), Weight: 210 g	FLOWRATE(CMM)
Connection	2x Lead wires *		
Motor	Brushless DC, auto restart, polarity protected.		
Bearing System	Dual ball bearing		
Insulation Resistance	Min. 10M at 500VDC		
Dielectric Strength	1 second at 500VAC max leakage 500 microamp		
Temperature Range	-10C ~ +70C		
Storage Temperature	-40C ~ +80C		
Life (L10)	70,000 hours (40C)		

Model Number	OD9238-24HB
Part Number	196241001
Nominal Voltage	24 VDC
Voltage Range	17~26.4 VDC
Nominal Current	.28 A
Rated Power	13.2 Watts
Rated Speed (RPM)	4000
Airflow (CFM)	90
Noise Level (dB)	50
Max. Static Pressure	.40 "H ₂ O

OD9238-24HB02A



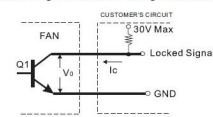
DC Fan, 24VDC
92x38mm (3.62x1.5in)



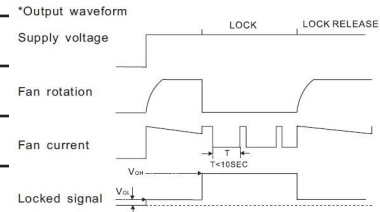
Frame & Impeller	PBT, UL94V-0 plastic	Available Options IP55 Other speeds and voltages Tachometer PWM *Connection: Wire Leads - UL1007 24AWG Red(+), Black (-), Yellow Alarm Weight: 210 g	
Connection	3x Lead wires *		
Motor	Brushless DC, auto restart, polarity protected.		
Bearing System	Dual ball bearing		
Insulation Resistance	Min. 10M at 500VDC		
Dielectric Strength	1 second at 500VAC max leakage 500 microamp		
Temperature Range	-10C ~ +70C		
Storage Temperature	-40C ~ +80C		
Life (L10)	70,000 hours (40C)		

Model Number	OD9238-24HB02A	Output of locked signal *Output type.....Open collector type *Electrical design suggestion: (External signal function design is decided by customer)
Part Number	196241231	
Nominal Voltage	24 VDC	
Voltage Range	17~26.4 VDC	
Nominal Current	.28 A	
Rated Power	13.2 Watts	
Rated Speed (RPM)	4000	
Airflow (CFM)	90	
Noise Level (dB)	50	
Max. Static Pressure	.40 "H ₂ O	

Output of locked signal
*Output type.....Open collector type
*Electrical design suggestion:
(External signal function design is decided by customer)



*Transistor Q1 at "ON" position
Collector current.....I_c=10mA Max
Saturation Voltage.....V_{ce}=1.0V Max
(Between Collector and Emitter at I_c=10mA)
*Transistor Q1 at "OFF" position
Release Voltage.....V_{ce}=30V Max



X-ON Electronics

Largest Supplier of Electrical and Electronic Components

Click to view similar products for [DC Fans](#) category:

Click to view products by [Orion](#) manufacturer:

Other Similar products are found below :

[F1238H24B-FHR](#) [F1238X24B1-FSR-TTL](#) [PMD1204PBB1-A \(2\).GN](#) [AUB0612L](#) [F6025X12B1-RHR](#) [G4020H05B2-RSR-EM](#) [4318/12T](#)
[AUB0912H-F00](#) [3412N/2ME](#) [W2G110-AM39-01](#) [USTF501005HW](#) [8412GLV](#) [8412NGL-12](#) [6448-384](#) [3258JH](#) [4114N/17-251](#) [4412F/2D](#)
[OD127AP-28HTB](#) [424JMU](#) [3110KL-05W-B50-G00](#) [1608KL-04W-B29-L00](#) [EF40101BX-1000U-G99](#) [4414/2HH](#) [512F/2P-549](#) [4112](#)
[N/12GL-175](#) [9GA0924L4021](#) [9GA0924M4021](#) [9GA0924M4011](#) [9GA0912M4D011](#) [9GA0924W4D01](#) [9GA0912F4021](#) [9GA0912H4D011](#)
[9GA0824L20021](#) [9GA0824L20011](#) [9GA0812A2002](#) [9GA0812B2D001](#) [9GA0812L20021](#) [9WP1248M1021](#) [9GA0812A2D001](#)
[9GA0824L2D001](#) [9GA0924W4D011](#) [9GA0912W402](#) [9GA0912M402](#) [9GA0824B2D001](#) [9GA0824A20021](#) [9GA0912W4021](#)
[9GA0924W402](#) [9GA0812L2D0011](#) [9GA0812A20021](#) [9GA0824L2001](#)