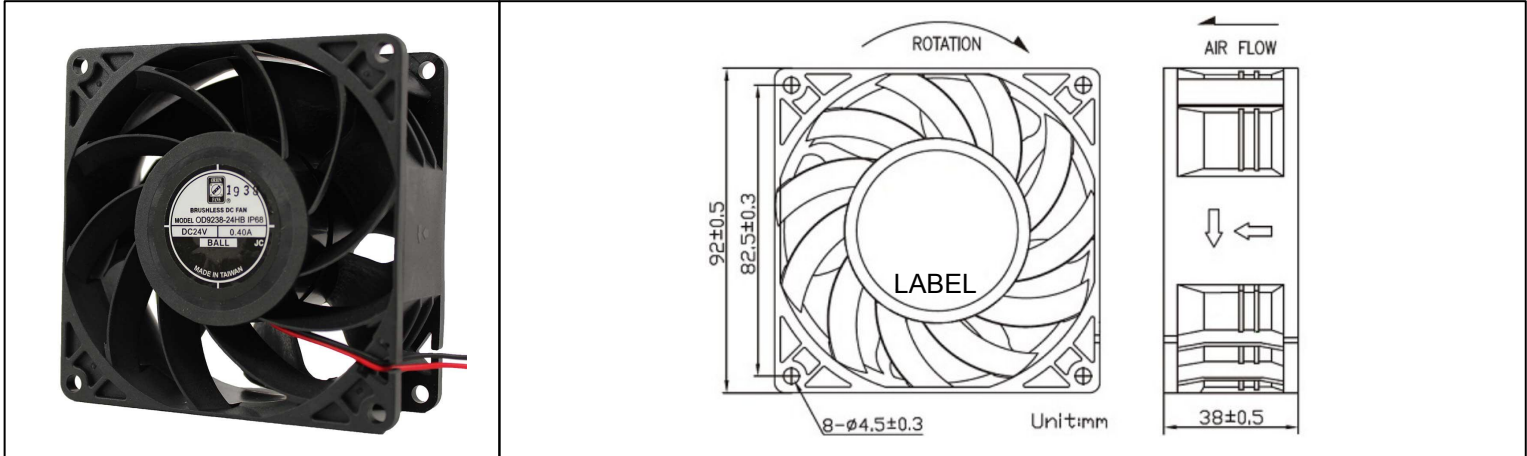


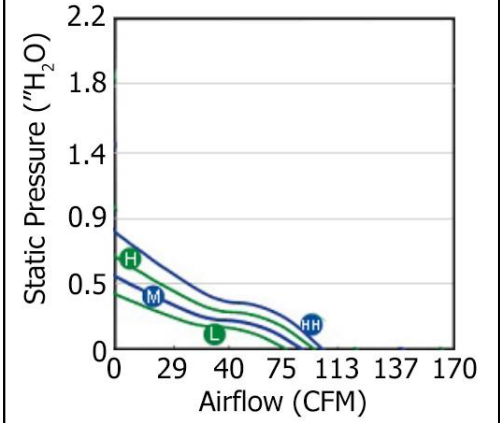
OD9238-IP68 Series



DC Fan, 24, 48V
92x38mm (3.62"x1.5")



Frame	PBT, UL94V-0 plastic	Operating Temperature -10°C ~ +70°C Storage Temperature -40°C ~ +75°C Life Expectancy 60,000 hours (L10 at 45°C) Available Options Tachometer Alarm PWM Weight: 0.44 lbs m0
Impeller	PBT, UL94V-0 plastic	
Connection	2x Lead wires, 24 AWG	
Motor	Brushless DC, Auto Restart, Polarity Protected, Electronically Protected, IP68	
Bearing System	Dual Ball Bearings	
Dielectric Strength	500VAC/min	
Insulation Resistance	10M ohm between leadwires and frame (500 VDC)	



Part Number	Rated Voltage	Input Power	Rated Current	Rated Speed (RPM)	Airflow (CFM)	Noise Level (dB)	Max. Static Pressure
OD9238-24HHBIP68	24 VDC	10.8 W	0.45 A	5000	110	58	0.86\"H ₂ O
OD9238-24HBIP68	24 VDC	9.6 W	0.4 A	4500	100	56	0.7\"H ₂ O
OD9238-24MBIP68	24 VDC	7.2 W	0.3 A	4000	89	53	0.55\"H ₂ O
OD9238-24LBIP68	24 VDC	4.8 W	0.2 A	3500	78	50	0.42\"H ₂ O
OD9238-48HHBIP68	48 VDC	14.4 W	0.3 A	5000	110	58	0.86\"H ₂ O
OD9238-48HBIP68	48 VDC	12 W	0.25 A	4500	100	56	0.7\"H ₂ O
OD9238-48MBIP68	48 VDC	9.6 W	0.2 A	4000	89	53	0.55\"H ₂ O
OD9238-48LBIP68	48 VDC	7.2 W	0.15 A	3500	78	50	0.42\"H ₂ O

X-ON Electronics

Largest Supplier of Electrical and Electronic Components

Click to view similar products for [DC Fans](#) category:

Click to view products by [Orion](#) manufacturer:

Other Similar products are found below :

[614R](#) [AUB0612L](#) [AFB0948HH-S687](#) [G2E085-AA05-10](#) [4318/12T](#) [AUB0912H-F00](#) [3412N/2ME](#) [W2G110-AM39-01](#) [8412GLV](#) [8412NGL-12](#) [6448-384](#) [4114N/17-251](#) [4318/2R](#) [4412F/2D](#) [424JMU](#) [4414/2HH](#) [4112 N/12GL-175](#) [9GA0912F402](#) [9GA0812B20011](#)
[AFB0824SHBAV1](#) [DV5214/2NP-230](#) [9GA0912H4021](#) [THC1548MGDJJ](#) [GFB1224SHG](#) [8500NU](#) [3241.124](#) [DC1203812W2B-2T0](#)
[MF40060V1-1000U-G99](#) [DC0401012V2B-3T0](#) [7F.20.9.024.1020](#) [7F.20.9.024.2055](#) [ASFP12392](#) [ASFP14391](#) [ASFP64371](#) [ASFP64391](#)
[ASFP80372](#) [ASFP84391](#) [ASFP92391](#) [ASFP94391](#) [MF92251V3-1000U-G99](#) [9A0612G402](#) [AD5012HB-C71](#) [AD5012MB-C71](#) [ASFP84372](#)
[026758A](#) [514F](#) [412/2H](#) [4292](#) [MF60152V1-1000U-G99](#) [3610KL-04W-B50-D00](#)