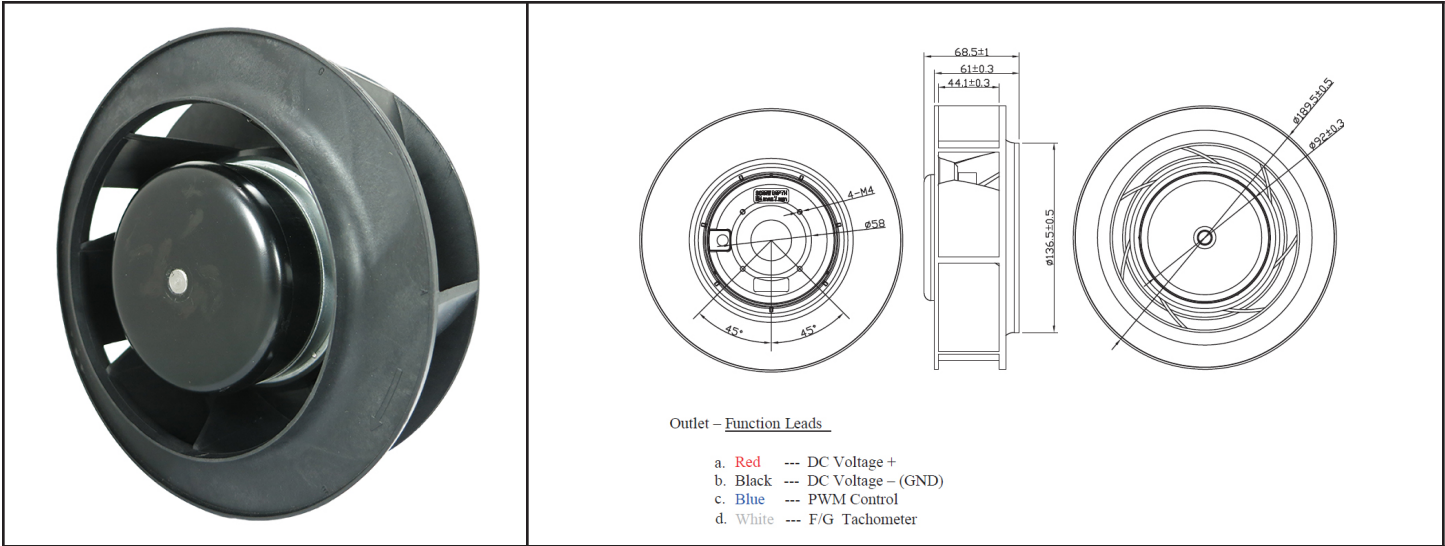


# ODB19069-24HB10A



## DC Motorized Impeller 24V 190x69mm (7.5"x2.70")



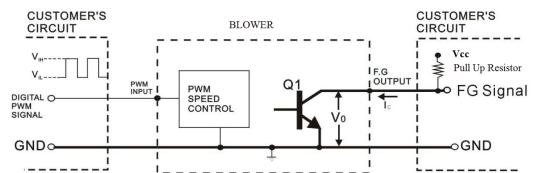
Outlet - Function Leads

- a. Red --- DC Voltage +
- b. Black --- DC Voltage - (GND)
- c. Blue --- PWM Control
- d. White --- F/G Tachometer

Frame & Impeller	Frame - Diecast aluminum Impeller - UL94V-0 Thermoplastic	<b>Features:</b> Signal Output: Tachometer Speed Control: PWM  Weight: ~ 1300g (2.87 lbs)  m0	
Connecion	4 Lead wires *		
Motor	DC brushless, IC protected		
Bearing System	Dual ball bearing		
Insulation Resistance	Min. 10M at 500VDC		
Dielectric Strength	1 minute at 500 VAC, max leakage < 500 MicroAmp		
Temperature Range	-10C ~ +65C		
Storage Temperature	-40C ~ +80C		
Life (L10)	-40,000 hours (40C)		

Part Number	ODB19069-24HB10A
Nominal Voltage	24VDC
Voltage Range	16 ~ 28 VDC
Nominal Current	4.5 A
Rated Power	108 W
Rated Speed (RPM)	3200
Airflow (CFM)	395
Noise Level (dB)	70
Max. Static Pressure	1.97" H <sub>2</sub> O

(External signal function design is decided by customer)

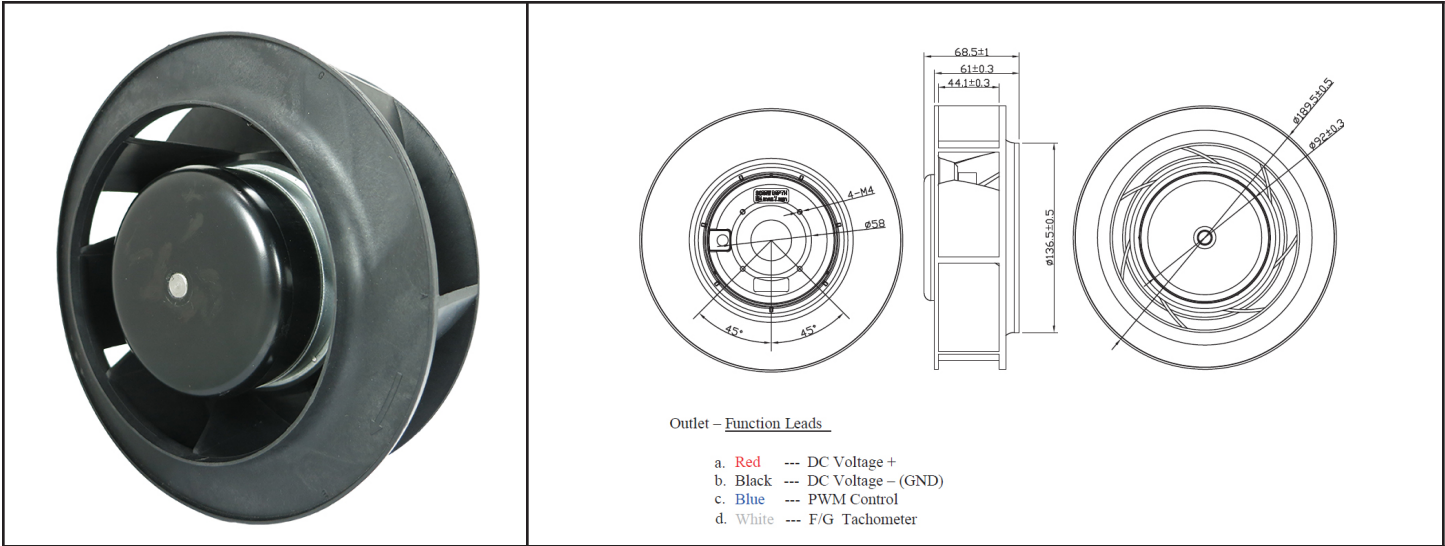


- \* FG 2 pulses per revolution
  - \* TRANSISTOR Q1 AT "ON" POSITION  
COLLECTOR CURRENT:  $I_c = 10\text{mA MAX}$   
SATURATION VOLTAGE:  $V_{ce} = 1\text{V MAX}$
  - \* TRANSISTOR Q1 AT "OFF" POSITION  
RELEASE VOLTAGE:  $V_{on} = V_{cc\text{ Max}}$
  - \* DIGITAL PWM SPEED CONTROL POSITION  
PWM INPUT VOLTAGE HIGH:  $V_{in} > 2.6\text{V}$   
PWM INPUT VOLTAGE LOW:  $V_{in} < 0.5\text{V}$
  - \* PWM INPUT FREQUENCY:  $FPWM: 100\text{Hz} - 100\text{kHz}$
- Blower will run full speed at 100%, stop at 0%, full speed if PWM not connected

# ODB19069-48HB10A



## DC Motorized Impeller 48V 190x69mm (7.5"x2.70")



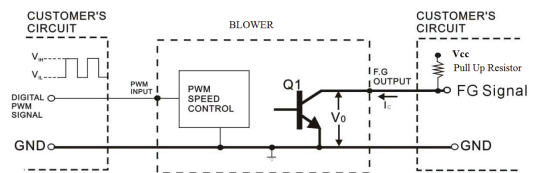
Outlet - Function Leads

- a. Red --- DC Voltage +
- b. Black --- DC Voltage - (GND)
- c. Blue --- PWM Control
- d. White --- F/G Tachometer

Frame & Impeller	Frame - Diecast aluminum Impeller - UL94V-0 Thermoplastic	<b>Features:</b> Signal Output: Tachometer Speed Control: PWM  Weight: ~ 1300g (2.87 lbs)	
Conneccion	4 Lead wires *		
Motor	DC brushless, IC protected		
Bearing System	Dual ball bearing		
Insulation Resistance	Min. 10M at 500VDC		
Dielectric Strength	1 minute at 500 VAC, max leakage < 500 MicroAmp		
Temperature Range	-10C ~ +65C		
Storage Temperature	-40C ~ +80C		
Life (L10)	-40,000 hours (40C)	m0	

Part Number	ODB19069-48HB10A
Nominal Voltage	48VDC
Voltage Range	36 ~ 56 VDC
Nominal Current	2.55 A
Rated Power	122.4 W
Rated Speed (RPM)	3500
Airflow (CFM)	432
Noise Level (dB)	73
Max. Static Pressure	2.0" H <sub>2</sub> O

(External signal function design is decided by customer)



- \* FG 2 pulses per revolution
  - \* TRANSISTOR Q1 AT "ON" POSITION  
 COLLECTOR CURRENT:  $I_c = 10\text{mA MAX}$   
 SATURATION VOLTAGE:  $V_{ce} = 1\text{V MAX}$
  - \* TRANSISTOR Q1 AT "OFF" POSITION  
 RELEASE VOLTAGE:  $V_{on} = V_{cc\text{ Max}}$
  - \* DIGITAL PWM SPEED CONTROL POSITION  
 PWM INPUT VOLTAGE HIGH:  $V_{ih} > 2.6\text{V}$   
 PWM INPUT VOLTAGE LOW:  $V_{il} < 0.5\text{V}$
  - \* PWM INPUT FREQUENCY:  $FPWM: 100\text{Hz} - 100\text{kHz}$
- Blower will run full speed at 100%, stop at 0%, full speed if PWM not connected

## X-ON Electronics

Largest Supplier of Electrical and Electronic Components

*Click to view similar products for [DC Fans](#) category:*

*Click to view products by [Orion](#) manufacturer:*

Other Similar products are found below :

[614R](#) [6424/2HP-210](#) [8312R](#) [DV4118/2NP-183](#) [AFB0948HH-S687](#) [PFB0824DHE-8B72](#) [G2E085-AA05-10](#) [RD20S-4/210660](#) [4318/12T](#)  
[4418HH](#) [AUB0912H-F00](#) [3412N/2ME](#) [K2E225-RA92-09](#) [4184N/2XR](#) [5214N2HH](#) [614J2HHPR-010](#) [8412NGL-12](#) [4114N/12HHR-297](#)  
[4656](#) [ZWR-903](#) [4112N12GL-175](#) [KD2406PKB2.\(2\).GN](#) [AFB1248HHE](#) [AFB1212LE-F00](#) [FAN-SCH-1](#) [MF60151V1-1000U-G99](#)  
[PF80252V1-1000U-G99](#) [PF92252V1-1000U-G99](#) [4112N/2H6P](#) [4114N/17-251](#) [6212NH](#) [622/2N](#) [712F-011](#) [8218J/2NP-181](#) [W1G180-AB47-](#)  
[15](#) [FAA1-12038NBKW31-A](#) [6318N/2TDP](#) [6318N/2H3PU](#) [6318HU](#) [424JMU](#) [PMD1206PTVX-A.U.GN](#) [PF80251B2-000U-F99](#)  
[EF40101BX-1000U-G99](#) [AD1224LB-A71GL](#) [9GA0924L4021](#) [9GA0924M4021](#) [9GA0924M4011](#) [9GA0824B20011](#) [9GA0812A2D0011](#)  
[9GA0912M4D011](#) [9GA0924W4D01](#)