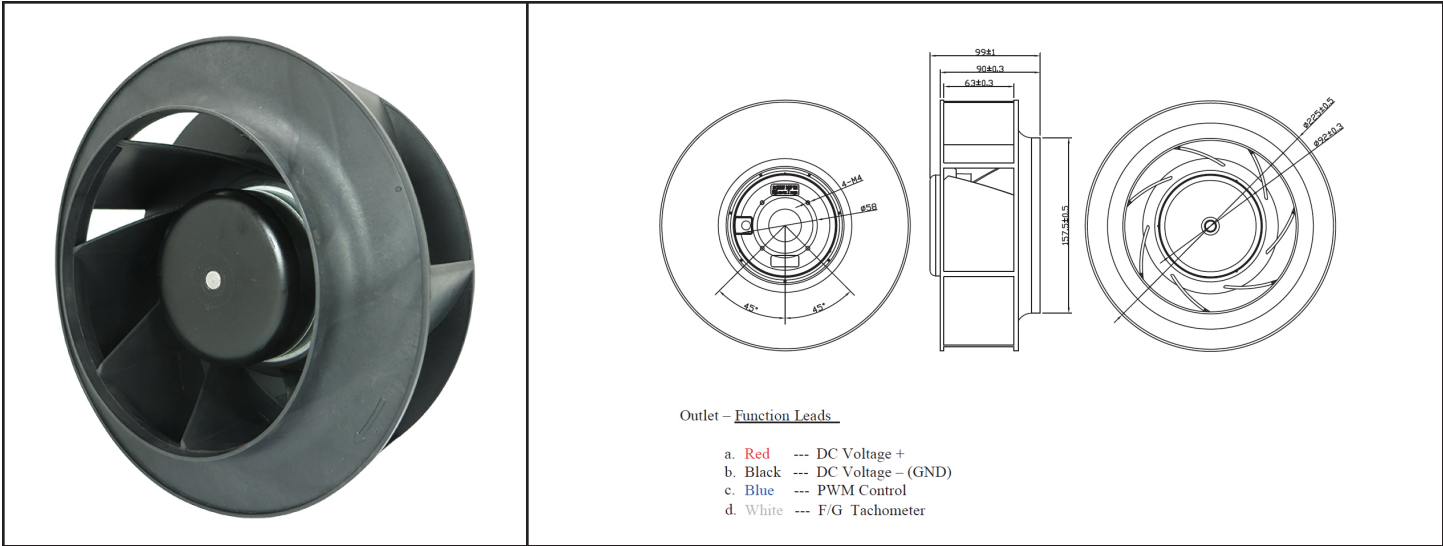


ODB22599-24HB10A

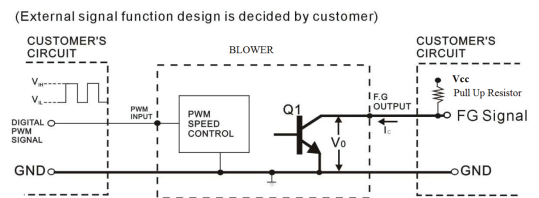


DC Motorized Impeller 24V 225x99mm (8.85"x3.90")



Frame & Impeller	Frame - Aluminum Impeller - UL94V-0 Thermoplastic	Features: Signal Output: Tachometer Speed Control: PWM Weight: ~ 1500g (3.31 lbs) m0	
Conneccion	4 Lead wires *		
Motor	DC brushless, IC protected		
Bearing System	Dual ball bearing		
Insulation Resistance	Min. 10M at 500VDC		
Dielectric Strength	1 minute at 500 VAC, max leakage < 500 MicroAmp		
Temperature Range	-10C ~ +65C		
Storage Temperature	-40C ~ +80C		
Life (L10)	-40,000 hours (40C)		

Part Number	ODB22599-24HB10A
Nominal Voltage	24VDC
Voltage Range	16 ~ 28 VDC
Nominal Current	4.6 A
Rated Power	110.4 W
Rated Speed (RPM)	2500
Airflow (CFM)	835
Noise Level (dB)	55
Max. Static Pressure	2.05" H ₂ O

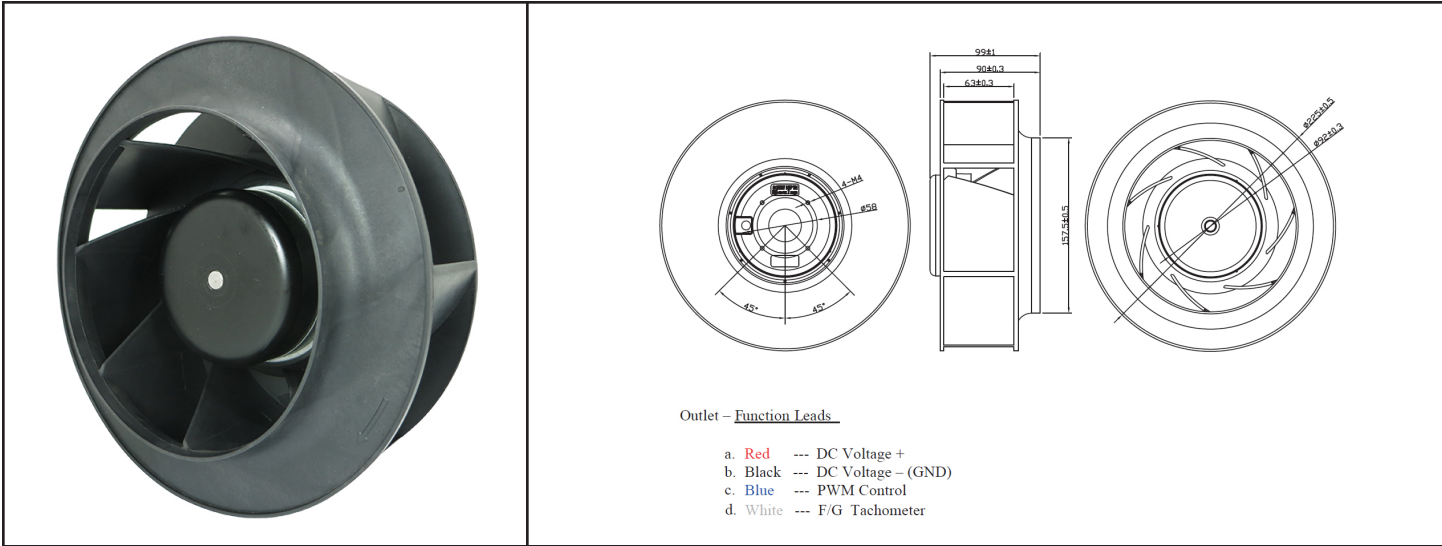


- * FG 2 pulses per revolution
 - * TRANSISTOR Q1 AT "ON" POSITION
 COLLECTOR CURRENT: $I_c = 10\text{mA MAX}$
 SATURATION VOLTAGE: $V_{ce} = 1\text{V MAX}$
 - * TRANSISTOR Q1 AT "OFF" POSITION
 RELEASE VOLTAGE: $V_{ce} = V_{cc} \text{Max}$
 - * DIGITAL PWM SPEED CONTROL POSITION
 PWM INPUT VOLTAGE HIGH: $V_{in} > 2.6\text{V}$
 PWM INPUT VOLTAGE LOW: $V_{in} < 0.5\text{V}$
 - * PWM INPUT FREQUENCY: $FPWM: 100\text{Hz} - 100\text{kHz}$
- Blower will run full speed at 100%, stop at 0%, full speed if PWM not connected

ODB22599-48HB10A

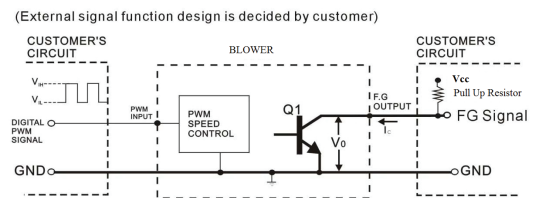


DC Motorized Impeller 48V 225x99mm (8.85"x3.90")



Frame & Impeller	Frame - Aluminum Impeller - UL94V-0 Thermoplastic	Features: Signal Output: Tachometer Speed Control: PWM Weight: ~ 1500g (3.31 lbs) m0	
Conexion	4 Lead wires *		
Motor	DC brushless, IC protected		
Bearing System	Dual ball bearing		
Insulation Resistance	Min. 10M at 500VDC		
Dielectric Strength	1 minute at 500 VAC, max leakage < 500 MicroAmp		
Temperature Range	-10C ~ +65C		
Storage Temperature	-40C ~ +80C		
Life (L10)	-40,000 hours (40C)		

Part Number	ODB22599-48HB10A
Nominal Voltage	48VDC
Voltage Range	46 ~ 56 VDC
Nominal Current	2.3 A
Rated Power	110.4 W
Rated Speed (RPM)	2500
Airflow (CFM)	835
Noise Level (dB)	55
Max. Static Pressure	2.05" H ₂ O



- * FG 2 pulses per revolution
 - * TRANSISTOR Q1 AT "ON" POSITION
COLLECTOR CURRENT: $I_c = 10\text{mA MAX}$
SATURATION VOLTAGE: $V_{ce} = 1\text{V MAX}$
 - * TRANSISTOR Q1 AT "OFF" POSITION
RELEASE VOLTAGE: $V_{ce} = V_{cc} \text{Max}$
 - * DIGITAL PWM SPEED CONTROL POSITION
PWM INPUT VOLTAGE HIGH: $V_{in} > 2.6\text{V}$
PWM INPUT VOLTAGE LOW: $V_{in} < 0.5\text{V}$
 - * PWM INPUT FREQUENCY: $FPWM: 100\text{Hz} - 100\text{kHz}$
- Blower will run full speed at 100%, stop at 0%, full speed if PWM not connected

X-ON Electronics

Largest Supplier of Electrical and Electronic Components

Click to view similar products for [DC Fans](#) category:

Click to view products by [Orion](#) manufacturer:

Other Similar products are found below :

[614R](#) [6424/2HP-210](#) [8312R](#) [DV4118/2NP-183](#) [AFB0948HH-S687](#) [PFB0824DHE-8B72](#) [G2E085-AA05-10](#) [RD20S-4/210660](#) [4318/12T](#)
[4418HH](#) [AUB0912H-F00](#) [3412N/2ME](#) [K2E225-RA92-09](#) [4184N/2XR](#) [5214N2HH](#) [614J2HHPR-010](#) [8412NGL-12](#) [4114N/12HHR-297](#)
[4656](#) [ZWR-903](#) [4112N12GL-175](#) [KD2406PKB2.\(2\).GN](#) [AFB1248HHE](#) [AFB1212LE-F00](#) [FAN-SCH-1](#) [MF60151V1-1000U-G99](#)
[PF80252V1-1000U-G99](#) [PF92252V1-1000U-G99](#) [4112N/2H6P](#) [4114N/17-251](#) [6212NH](#) [622/2N](#) [712F-011](#) [8218J/2NP-181](#) [W1G180-AB47-](#)
[15](#) [FAA1-12038NBKW31-A](#) [6318N/2TDP](#) [6318N/2H3PU](#) [6318HU](#) [424JMU](#) [PMD1206PTVX-A.U.GN](#) [PF80251B2-000U-F99](#)
[EF40101BX-1000U-G99](#) [AD1224LB-A71GL](#) [9GA0924L4021](#) [9GA0924M4021](#) [9GA0924M4011](#) [9GA0824B20011](#) [9GA0812A2D0011](#)
[9GA0912M4D011](#) [9GA0924W4D01](#)