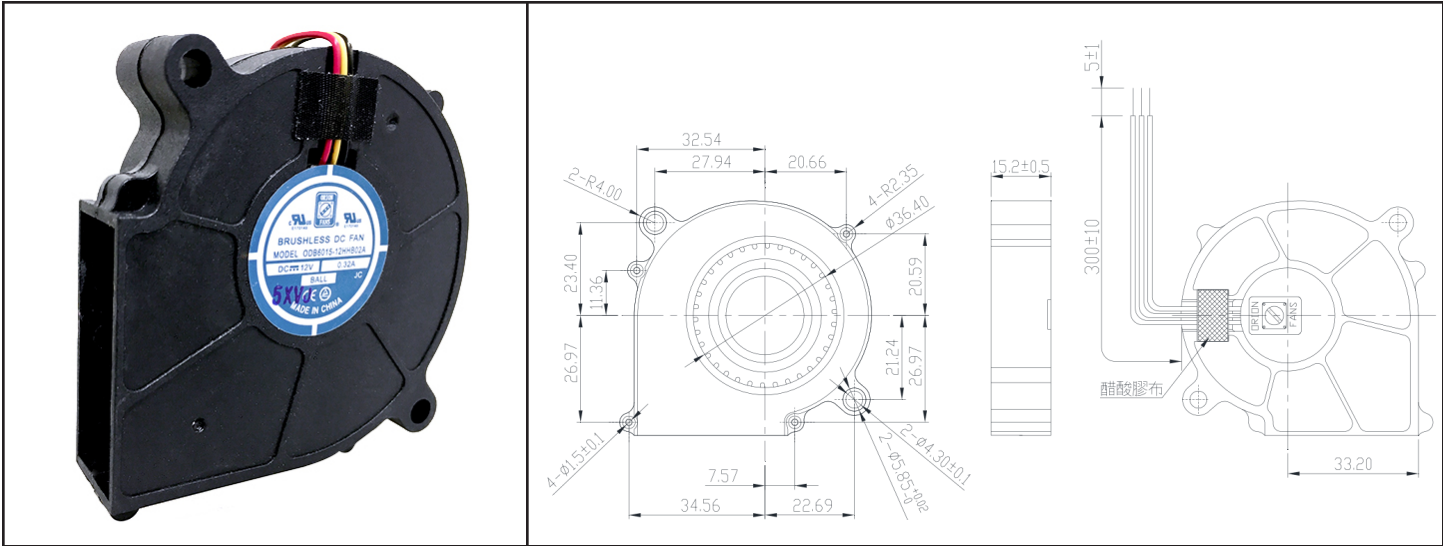


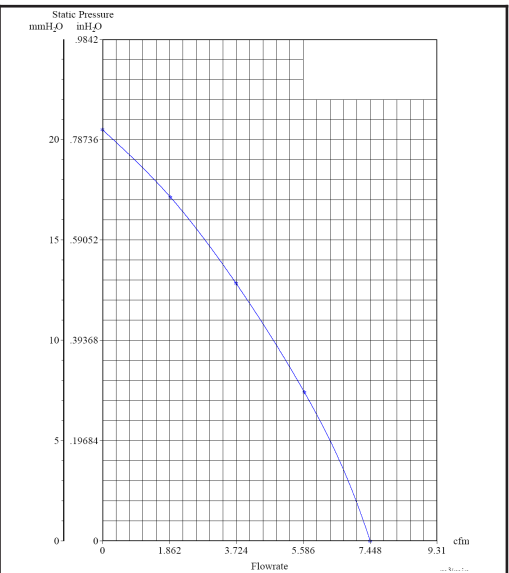
# ODB6015-12HHB02A



DC Blower 12V  
60x15mm (2.36"x .59")

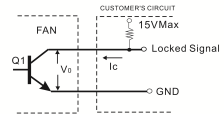


Frame & Impeller	PBT, UL94V-O plastic	Options Available Tachometer
Connecion	3x Lead wires *	
Motor	Brushless DC, auto restart, polarity protected.	Weight: ~ 35 g  * Connection UL1571, 28AWG, ~320mm Red (+) Black (-) Yellow Alarm
Bearing System	Dual ball bearing	
Insulation Resistance	Min. 10M at 500VDC	
Dielectric Strength	1 minute at 500 VAC, max leakage < 500 MicroAmp	
Temperature Range	-10C ~ +70C	
Storage Temperature	-40C ~ +80C	
Life (L10)	70,000 hours (40C)	m1

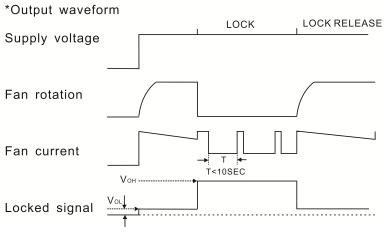


Part Number	ODB6015-12HHB02A
Nominal Voltage	12V DC
Voltage Range	7 ~ 13.2V DC
Nominal Current	.20 A
Rated Power	3.84 W
Rated Speed (RPM)	5000
Airflow (CFM)	7.45
Noise Level (dB)	44
Max. Static Pressure	.80" H <sub>2</sub> O

Output of locked signal  
\*Output type.....Open collector type  
\*Electrical design suggestion:  
(External signal function design is decided by customer)



\*Transistor Q1 at "ON" position  
Collector current.....I<sub>c</sub>=5mA Max  
Saturation Voltage.....V<sub>ce(sat)</sub>=1.0V Max  
(Between Collector and Emitter at I<sub>c</sub>=5mA)  
\*Transistor Q1 at "OFF" position  
Release Voltage.....V<sub>ce</sub>=15V Max



## X-ON Electronics

Largest Supplier of Electrical and Electronic Components

*Click to view similar products for [Blowers & Centrifugal Fans](#) category:*

*Click to view products by [Orion](#) manufacturer:*

Other Similar products are found below :

[MKEL-DRB](#) [R2D140-AB02-14](#) [R2D160-AC02-13](#) [R4D310-AS18-01](#) [R4D400-AD22-06](#) [R4E180-AS11-09](#) [R4S175-AA16-12](#) [AIF60112](#)  
[AIF801724](#) [RLF35-812N2P-103](#) [DOP-EXI014RAE](#) [KFB1724VHT-AF00](#) [KFC1048DS-S45D](#) [AIF641714](#) [CME-COP01](#) [R1G220-AB07-09](#)  
[R2E180CH0312](#) [R2S150-AD08-09](#) [RD20S-4/210660](#) [RH56M-6/204689](#) [D2E146-CD51-09](#) [TP04G-AS2](#) [TP05G-BT2](#) [TP-PCC](#) [BR200W250](#)  
[D4E133-AA01-51](#) [D4E133-DH61-D1](#) [DFD0612H/SPECTRA](#) [DOP-EXI028RAE](#) [55462.19890](#) [K1G200-AA73-02](#) [G2D160-AF02-01](#)  
[G2E150-BA52-07](#) [G2S150-AB56-42](#) [D4E225-BC01-02](#) [R2D225-AV02-14](#) [D2E146-HT67-63](#) [K1G220-AA67-02](#) [G2E140-AG02-05](#)  
[R3G190-AB23-02](#) [55410.91750](#) [55462.19891](#) [G3G160-AC70-01](#) [R1G120-AD17-11](#) [R3G250-AM70-01](#) [R2E225-RA02-47](#) [RER225-](#)  
[63/18/2TDMP](#) [R4E310-AO12-14](#) [D2E146-HT65-64](#) [3612751](#)