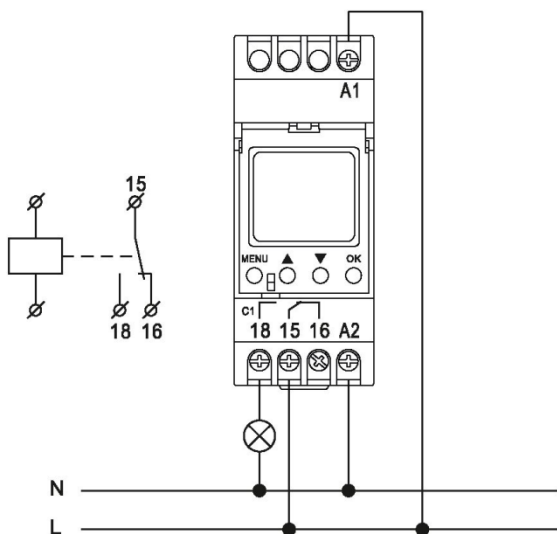
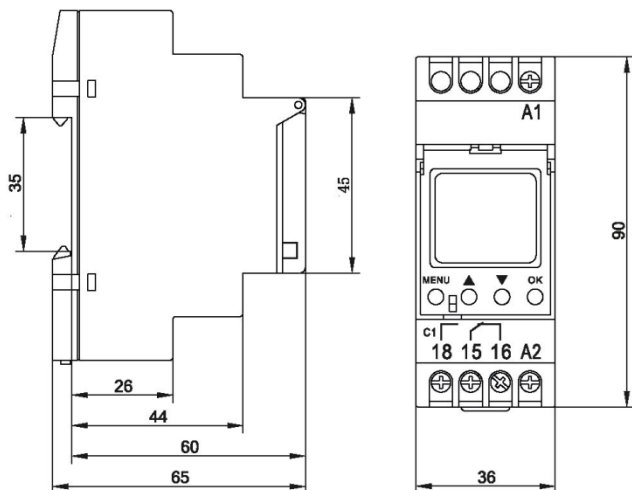


## □ Wiring diagram



## □ Dimensions



## DIN RAIL DIGITAL TIMER OR-PRE-433

(EN) Installation and operation manual



### IMPORTANT!

Read this manual before operating the device and keep it for future reference. Performing repairs or modifications by the customer voids the warranty. The manufacturer is not liable for any damage that can result from improper installation or operation of the device.

Since the technical data is subject to continuous modification, the manufacturer reserves the right to modify product specifications or introduce other design solutions that do not impair product performance or usability. Additional information on ORNO products is available at: [www.orno.pl](http://www.orno.pl). Orno-Logistic Sp. z o.o. is not liable for consequences resulting from failure to comply with the recommendations found in this manual. Orno-Logistic Sp. z o.o. reserves the right to make changes to the instruction – the current version can be downloaded from [www.orno.pl](http://www.orno.pl). Any rights to translate/construct and the copyright of this manual are reserved. Disconnect the power supply before performing any activities. The device must be installed by qualified personnel – persons having knowledge of marking and earthing of electrical appliances as well as regulations concerning safety. Improper installation can cause a risk of electric shock.

1. Disconnect the power supply before performing any activities.
2. Do not use the device for any other purpose than intended.
3. Store the device in a dry location.
4. Do not immerse the device in water or other liquids.
5. Do not install or operate the device with damaged housing.
6. Do not modify or repair the device yourself. Removal of the enclosure will void the warranty and may result in electric shock.
7. Before connecting the power supply, make sure that all cables are properly connected.
8. The power consumption of connected electrical devices must not exceed the maximum load.

Every household uses electric and electronic equipment and therefore is a potential producer of waste that is hazardous for people and the environment due to the presence of hazardous substances, mixtures, and components in the equipment. On the other hand, used equipment is a valuable source of such raw materials like copper, tin, glass, iron, etc., which can be recovered.



The symbol of a crossed litter bin placed on the equipment, its package or accompanying documents means that the product must not be discarded together with other waste. At the same time, the label indicates that the equipment has been introduced to the market after 13 August 2005.

It is the responsibility of the user to transfer the used equipment to a designated collection point for proper processing. Information on an available system of used electronic equipment collection can be found at the shop information desk and at the municipality/commune office.

Proper disposal of used equipment prevents negative consequences for the natural environment and human health!

MANUFACTURER

**ORNO-LOGISTIC Sp. z o.o.**

ul. Rolników 437, 44-141 Gliwice, tel. 32 43 43 110, [www.orno.pl](http://www.orno.pl)

12/2019

## Description

OR-PRE-433 digital timer is used for the implementation of time functions in control and automation systems. It operates according to the set time schedule planned by the user. There is an internal battery protecting the real-time clock and all settings when the electric power supply is off.

## Properties

- Digital timer with weekly and pulse programs
- 3 years of backup power (lithium battery)
- 52 programs (26 on/off cycles)
- Sealable cover of the front panel; easy setting using 4 keys
- Automatic summer/winter time switchover
- LCD display
- Holiday mode
- Multilanguage
- Manual control using keys (AUTO, MANUAL, ON, OFF)
- Automatic transfer of weekdays
- 220–240 VAC power supply
- Double-module, mounted on a DIN TH-35 rail

## Specifications

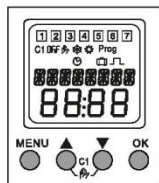
Supply terminals	A1–A2
Rated voltage	220–240 V AC
Rated frequency	50/60 Hz
Power consumption	1 W
Supply voltage tolerance	±10%
Number of channels	1
Number of programs	52
Program	weekly, daily, pulse
Operating modes	manual, automatic, holiday
Summer/winter time	off, automatic change
Time tolerance	±1 s/day at 25°C
Power reserve	3 years
Data readout	LCD display
Number of relay contacts	3 (NO, COM, NC)
Max. contact current	16A/250V AC, 16A, 30V DC
Rated insulation voltage	250 V
Protection degree	IP20
Pollution degree	3
Operating temperature	-20°C–55°C
Permissible relative humidity	≤50% (40°C, noncondensing)
Storage temperature	-30°C–70°C
Cable cross-section	1 mm <sup>2</sup> –4 mm <sup>2</sup>
Tightening torque	0.5 Nm
Installation	TH-35 rail (EN60715)
Dimensions	90×36×64 mm
Standard	IEC/EN 60730-1/IEC/EN 60730-2-7

## Permissible load capacity

2300W	2300W	1000W	500W	500W	500W

## Operation instructions

### Panel



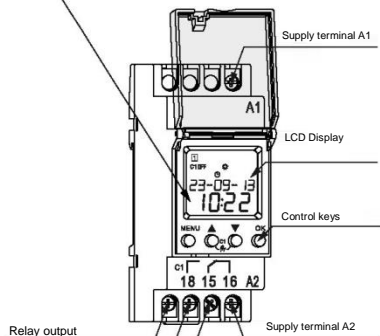
### Description of symbols

- Days of the week Monday, Tuesday, ...Sunday  
 C1 — Channel 1  
 — Relay status      — Pulse mode  
 — AUTO mode  
 — MANUAL mode  
 — Holiday mode  
 — Winter time  
 — Summer time  
 Prog — Program setting

### Keys

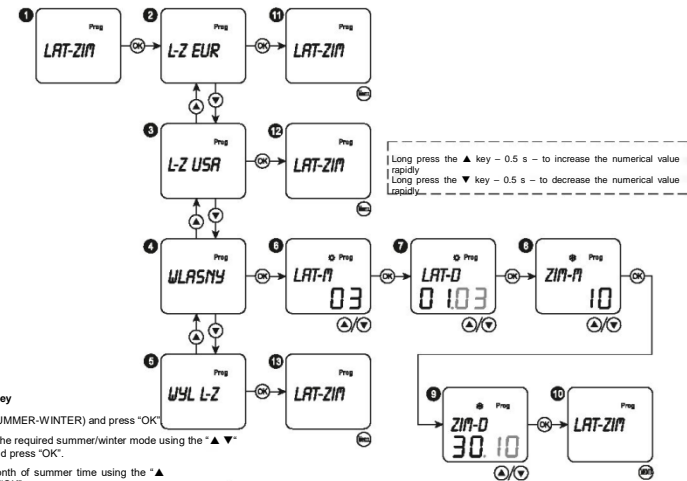
	Enter the main menu		Confirm selection
	Select menu		Select menu
	Digit +		Digit -
	OC1 - manual mode		

23-09-13 DD-MM-RR, 23 września 2013 r.



Relay output

## Summer/winter time switchover

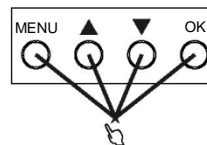


### Press the MENU key

- Select LAT-ZIM (SUMMER-WINTER) and press "OK"
- Select the required summer/winter mode using the "▲▼" keys and press "OK".
- Set the starting month of summer time using the "▲▼" keys and press "OK".
- Set the starting day of summer time using the "▲▼" keys and press "OK".
- Set the starting month of winter time using the "▲▼" keys and press "OK".
- Set the starting day of winter time using the "▲▼" keys and press "OK".
- Return to the previous menu by pressing the "MENU" key.

Display	Function	Switching to summer	Switching to winter
L-Z EUR	European summer/winter	Last Sunday in March	Last Sunday in October
L-Z USA	American summer/winter	Second Sunday in March	First Sunday in November
WLASNY	Custom	Freely programmable	Freely programmable
WYL L-Z	No summer/winter	None	None

## Reset



Press the four keys simultaneously for 0.5 seconds to reset. The device will be restored to factory settings.

## Keys combination for MANUAL control

### AUTO/RECZNIE (AUTO/MANUAL)

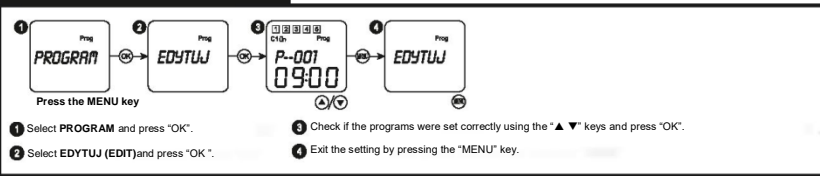
- Simultaneously press the "▲▼" keys to enter the manual ON mode. When the programs are activated, the manual mode will exit automatically.

### WYLACZ/WYLACZ (ON/OFF)

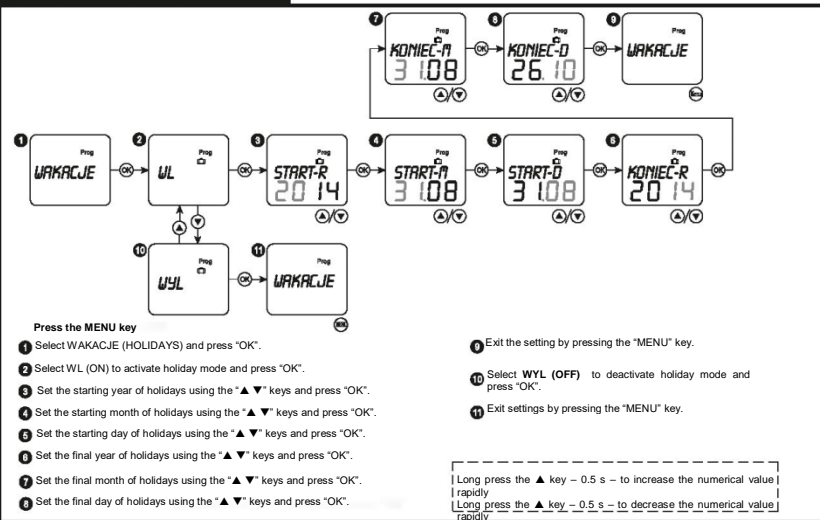
- Simultaneous press the "▲▼" keys for 2 s. The output status of channel 1 switches to WYLACZ/WYLACZ (ON/OFF), flashes.

AUTO	AUTO mode
RECZNIE	MANUAL mode
WYLACZ	PERMANENT ON mode
WYLACZ	PERMANENT OFF mode

### ● Checking a program

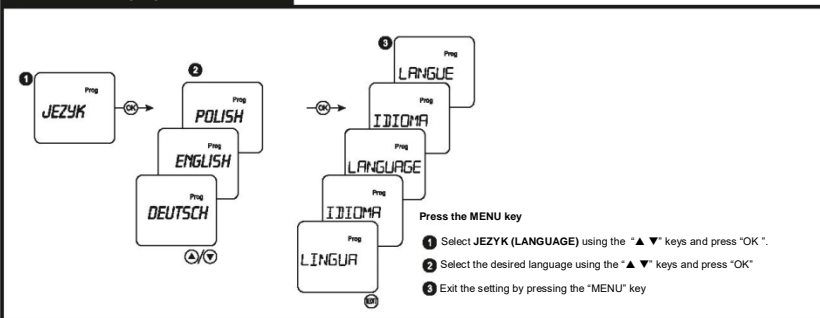


### ● Holiday program

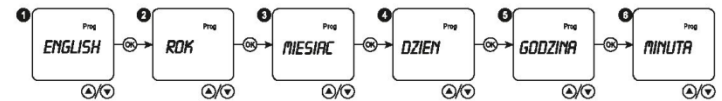


### □ Language settings

#### ● Select menu language

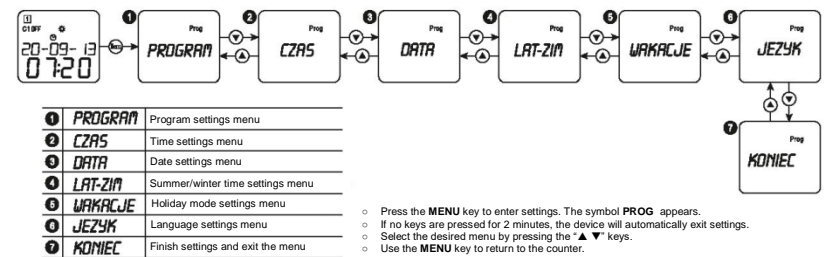


### □ Initial operation

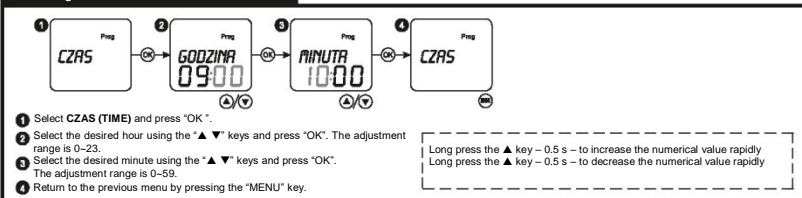


- 1 Select the desired language using the "▲▼" keys and press "OK".
- 2 Select the desired year using the "▲▼" keys and press "OK".
- 3 Select the desired month using the "▲▼" keys and press "OK".
- 4 Select the desired day using the "▲▼" keys and press "OK".
- 5 Select the desired hour using the "▲▼" keys and press "OK".
- 6 Select the desired minute using the "▲▼" keys and press "OK".

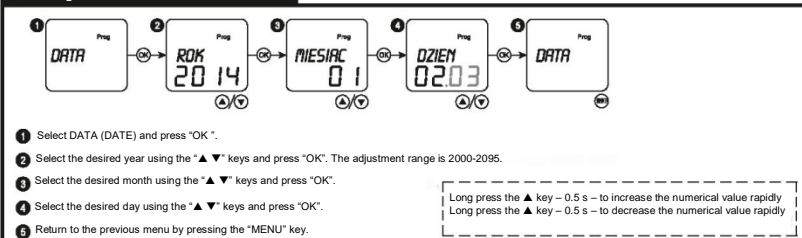
### □ Main menu



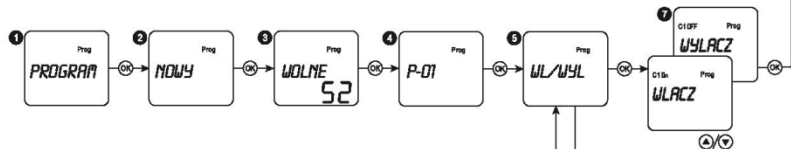
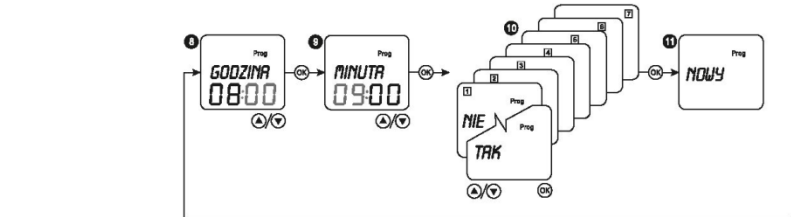
### ● Setting the time



### ● Setting the date



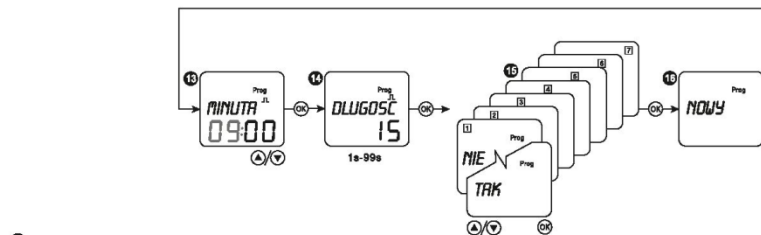
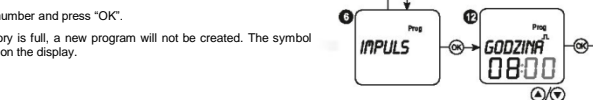
## Creating a new program



### Press the MENU key

- 1 Select PROGRAM and press "OK".
- 2 Select NOWY (NEW) and press "OK".
- 3 Information about available memory will appear on the display.
- 4 Select the new program number and press "OK".

When the program memory is full, a new program will not be created. The symbol PELNY (FULL) will appear on the display.

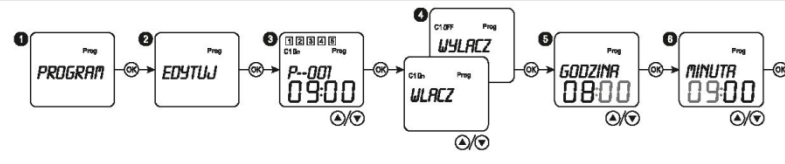


- 5 Select the WL/WYL (ON/OFF) mode and press "OK".
- 6 Select the IMPULS (PULSE) mode and press "OK".
- 7 Select WYLACZ (ON) or WYLACZ (OFF) using the "▲▼" keys, and press "OK".
- 8 12 Set the hour using the "▲▼" keys and press "OK".
- 9 13 Set the minute using the "▲▼" keys and press "OK".
- 10 15 Set the days of the week when you want the program to be active (Monday to Sunday) using the "▲▼" keys.
- 11 If you select TAK (YES), the program will be active for the flashing day. If you select NIE (NO), the program will not be active for the flashing day. Press "OK".

- 11 16 Return to the previous menu by pressing the "MENU" key.
- 14 Set the pulse duration, the adjustment range is 1-99 s.

Long press the ▲ key - 0.5 s - to increase the numerical value rapidly  
Long press the ▼ key - 0.5 s - to decrease the numerical value rapidly

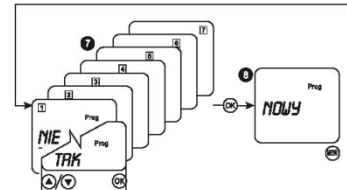
## Modify a program



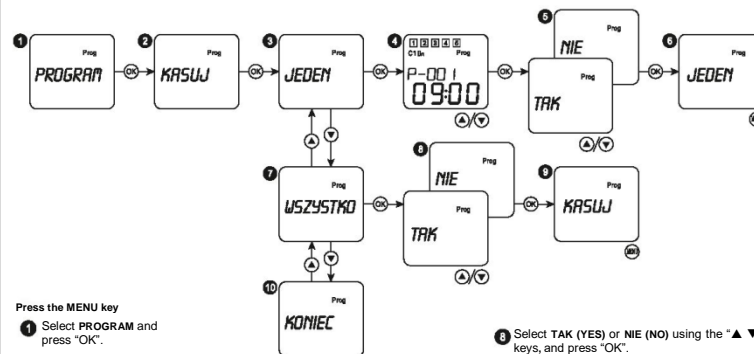
### Press the MENU key

- 1 Select PROGRAM and press "OK".
- 2 Select EDYTUJ (EDIT) using the "▲▼" keys and press "OK".
- 3 Select the desired program using the "▲▼" keys and press "OK".
- 4 Select WYLACZ (ON) or WYLACZ (OFF) using the "▲▼" keys, and then press "OK".
- 5 Set the hour using the "▲▼" keys and press "OK".
- 6 Set the minute using the "▲▼" keys and press "OK".
- 7 Set the days of the week when you want the program to be active (Monday to Sunday) using the "▲▼" keys. If you select TAK (YES), the program will be active for the flashing day. If you select NIE (NO), the program will not be active for the flashing day. Press "OK".
- 8 Return to the previous menu by pressing the "MENU" key.

Long press the ▲ key - 0.5 s - to increase the numerical value rapidly  
Long press the ▼ key - 0.5 s - to decrease the numerical value rapidly



## Delete a program



### Press the MENU key

- 1 Select PROGRAM and press "OK".
- 2 Select KASUJ (DELETE) and press "OK".
- 3 Select JEDEN (ONE) to delete a single program and press "OK".
- 4 Select the desired program using the "▲▼" keys and press "OK".
- 5 Select TAK (YES) or NIE (NO) using the "▲▼" keys, and press "OK".
- 6 Exit setting by pressing the "MENU" key.
- 7 Select WSZYSTKO (ALL) to delete all programs and press "OK".
- 8 Select TAK (YES) or NIE (NO) using the "▲▼" keys, and press "OK".
- 9 Exit settings by pressing the "MENU" key.
- 10 Finish program settings.

## X-ON Electronics

Largest Supplier of Electrical and Electronic Components

*Click to view similar products for [Timers](#) category:*

*Click to view products by [ORNO](#) manufacturer:*

Other Similar products are found below :

[79237785 H3DS-GL AC24-230/DC24-48](#) [H5AN-4DM DC12-24](#) [H5CN-XDNM AC100-240](#) [H5CN-YAN AC100-240](#) [H5CX-L8S-N AC100-240](#) [H3AMNSCAC100240](#) [H3AM-NSR-B AC100-240](#) [H3CA-8 DC12](#) [H3CR-A8-302 DC24](#) [H3CR-F AC24-48/DC12-48](#) [H3CR-G8EL AC200-240](#) [H5AN-4D DC12-24](#) [81506944](#) [88225029](#) [H5S-YB4-X](#) [H3CR-A-301 AC100-240/DC100-125](#) [H3CR-AS AC24-48/DC12-48](#) [H3DK-GE AC240-440](#) [H3RN-2 AC24](#) [H3RN-21 AC24](#) [H3CR-H8RL AC/DC24 M](#) [H3CR-H8RL AC100-120 S](#) [H3CR-G8EL-31 AC100-120](#) [H3CR-H8RL AC100-120 M](#) [H3CR-HRL AC100-120 M](#) [H3CR-A8-301 AC24-48/DC12-48](#) [H3AM-NSR-C AC100-240](#) [H3CR-H8RL AC/DC24 S](#) [H7AN-2D DC12-24](#) [H5CN-XANS DC12-48](#) [H3CA-8 DC110](#) [H7AN-W4DM DC12-24](#) [H7AN-4DM DC12-24](#) [H7AN-4D DC12-24](#) [H7AN-RT6M AC100-240](#) [H3CA-8H AC200/220/240](#) [MTR17-BA-U240-116](#) [PM4HSDM-S-AC240VS](#) [PM4HSDM-S-AC240VSW](#) [PO-405](#) [600DT-CU](#) [H3Y-2-B DC24 30S](#) [H3Y-2-B DC24 1S](#) [PM4HF8-M-DC24V](#) [PM4HS-H-DC12VSW](#) [H3Y-2-B AC100-120 10S](#) [H3Y-2-B AC100-120 30S](#) [H3C-R](#) [H3CR-A8-301 24-48AC/12-48DC](#)