

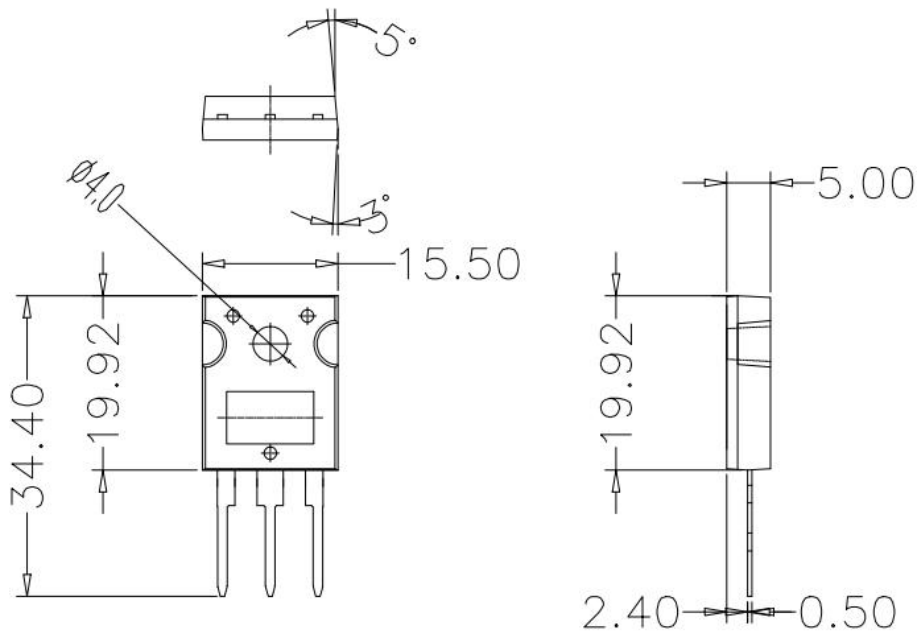
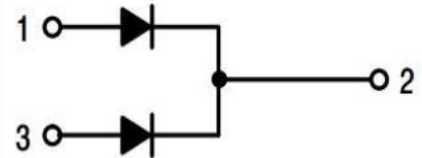
◆ Features:

- ◇ High switching frequency
开关频率高
- ◇ Low forward voltage drop
正向压降低
- ◇ High efficiency and low power loss
高效低功耗
- ◇ High volume of current and good capability of surge current
大电流浪涌能力强


TO-247S

◆ Applications

- ◇ High frequency rectifier of switching mode power supplies
高频整流器开关电源
- ◇ Freewheeling diodes
续流二极管
- ◇ Polarity protection application
极性保护应用
- ◇ DC-DC converters
直流-直流变换器

PIN CONNECTIONS


◆ Absolute Maximum Ratings (Tc=25°C)

| Symbol | Parameters | Ratings | Unit |
|--------------------|--|----------------|------|
| V _R | Repetitive Peak Reverse Voltage 最大反向重复峰值电压 | 200 | V |
| V _{RWM} | Working peak reverse voltage 反向峰值工作电压 | 200 | V |
| V _R | Maximum DC blocking voltage 最大直流反向电压 | 200 | V |
| I _{F(AV)} | Maximum average forward rectified current Total device 最大正向平均电流 | 20 | A |
| I _{FSM} | Peak Forward Surge Current 正向峰值浪涌电流 | 150 | A |
| T _J | Operating junction temperature range 结温 | 175 | °C |
| T _{stg} | Storage temperature range 贮存温度 | -55~175 | °C |

◆ Electrical characteristics

| Symbol | Parameters | Min | Typical | Max | Units | Conditions |
|----------------------|--|-----|---------|--------------|-------|---|
| I _R | Maximum Reverse Leakage Current (Note 1) 最大反向瞬态电流 | -- | -- | 10 | uA | V _R =V _R RM T _C = 25 °C |
| V _F | Maximum Instantaneous Forward Voltage (Note 2) 最大瞬态正向压降 | -- | 0.87 | -- | V | I _F = 10 A, T _C = 25 °C |
| R _{th(j-c)} | Typical Thermal Resistance, Junction to Case 结到外壳的典型热阻 | -- | -- | 1.0 | °C/W | |
| dV/dt | Voltage Rate of Change 电压变化率 | -- | -- | 10000 | V/μs | |

Note 1: 2.0uS Pulse Width, f=1.0KHz

Note 2: Pulse Test : 300us Pulse Width, 1% Duty Cycle

X-ON Electronics

Largest Supplier of Electrical and Electronic Components

Click to view similar products for [Schottky Diodes & Rectifiers](#) category:

Click to view products by [OSEN](#) manufacturer:

Other Similar products are found below :

[MA4E2039](#) [MMBD301M3T5G](#) [HFA35HB60C](#) [RB160M-50TR](#) [D83C](#) [BAS16E6433HTMA1](#) [BAS 3010S-02LRH](#) [E6327](#) [BAT 54-02LRH](#)
[E6327](#) [NRVBAF360T3G](#) [NSR05F40QNXT5G](#) [NTE555](#) [JANS1N6640](#) [SS3003CH-TL-E](#) [GA01SHT18](#) [CRS10I30A\(TE85L,QM](#)
[MBRA140TRPBF](#) [MBRB30H30CT-1G](#) [BAT 15-04R](#) [E6152](#) [JANTX1N5712-1](#) [DMJ3940-000](#) [SB007-03C-TB-E](#) [NRVBB20100CTT4G](#)
[NRVBM120LT1G](#) [NTSB30U100CT-1G](#) [CRG04\(T5L,TEMQ\)](#) [ACDBA1100LR-HF](#) [ACDBA1200-HF](#) [ACDBA240-HF](#) [ACDBA3100-HF](#)
[CDBQC0530L-HF](#) [ACDBA260LR-HF](#) [ACDBA1100-HF](#) [10BQ015-M3/5BT](#) [NRVBM120ET1G](#) [VSSB410S-M3/5BT](#) [1N5819T-G](#)
[PDS1040Q-13](#) [B160BQ-13-F](#) [SDM05U20CSP-7](#) [BAS 70-07](#) [E6433](#) [B140S1F-7](#) [HSM560Je3/TR13](#) [DDB2265-000](#) [ZHCS506QTA](#)
[HSM190Je3/TR13](#) [B330AF-13](#) [ACDBUC0230-HF](#) [SDM1U100S1F-7](#) [MBR10200CTF-G1](#) [CDLL5712](#)