

**◆ Features:**

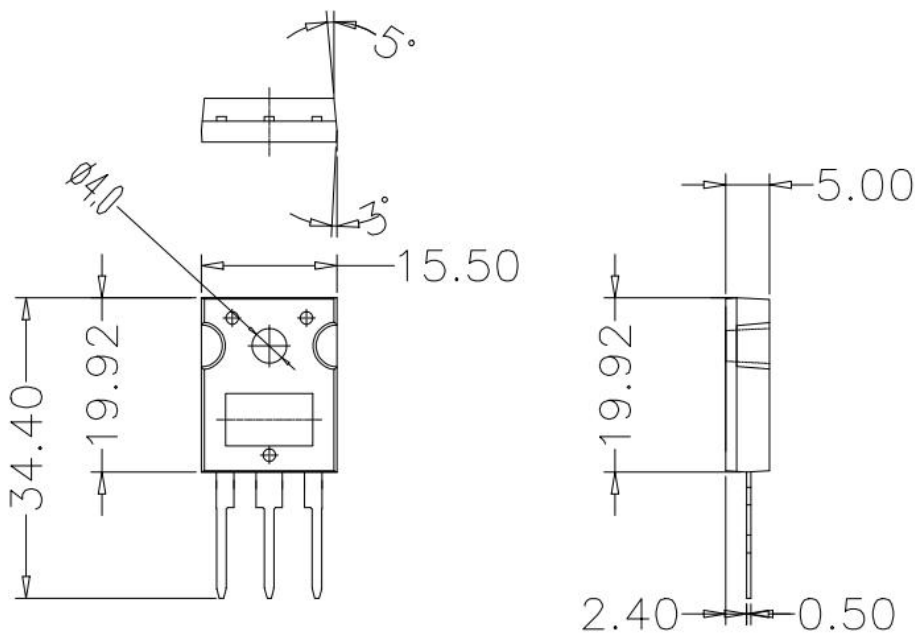
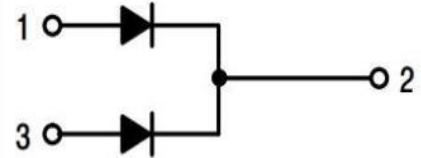
- ◇ High switching frequency  
开关频率高
- ◇ Low forward voltage drop  
正向压降低
- ◇ High efficiency and low power loss  
高效低功耗
- ◇ High volume of current and good capability of surge current  
大电流浪涌能力强

**◆ Applications**

- ◇ High frequency rectifier of switching mode power supplies  
高频整流器开关电源
- ◇ Freewheeling diodes  
续流二极管
- ◇ Polarity protection application  
极性保护应用
- ◇ DC-DC converters  
直流-直流变换器


**TO-247S**


1

**PIN CONNECTIONS**


**◆ Absolute Maximum Ratings (Tc=25°C)**

| Symbol             | Parameters   | Ratings        | Unit |
|--------------------|--|----------------|------|
| V <sub>RRM</sub>   | Repetitive Peak Reverse Voltage<br>最大反向重复峰值电压                      | <b>200</b>     | V    |
| V <sub>RWM</sub>   | Working peak reverse voltage<br>反向峰值工作电压                           | <b>200</b>     | V    |
| V <sub>R</sub>     | Maximum DC blocking voltage<br>最大直流反向电压                            | <b>200</b>     | V    |
| I <sub>F(AV)</sub> | Maximum average forward rectified current Total device<br>最大正向平均电流 | <b>40</b>      | A    |
| I <sub>FSM</sub>   | Peak Forward Surge Current<br>正向峰值浪涌电流                             | <b>300</b>     | A    |
| T <sub>J</sub>     | Operating junction temperature range<br>结温                         | <b>175</b>     | °C   |
| T <sub>stg</sub>   | Storage temperature range<br>贮存温度                                  | <b>-55~175</b> | °C   |

**◆ Electrical characteristics**

| Symbol               | Parameters   | Min | Typical     | Max          | Units | Conditions   |
|----------------------|--|-----|-------------|--------------|-------|--|
| I <sub>R</sub>       | Maximum Reverse Leakage Current (Note 1)<br>最大反向瞬态电流       | --  | --          | <b>50</b>    | uA    | V <sub>R</sub> =V <sub>RRM</sub><br>T <sub>C</sub> = 25 °C |
| V <sub>F</sub>       | Maximum Instantaneous Forward Voltage (Note 2)<br>最大瞬态正向压降 | --  | <b>0.87</b> | <b>0.89</b>  | V     | I <sub>F</sub> = 20A, T <sub>C</sub> = 25 °C               |
| R <sub>th(j-c)</sub> | Typical Thermal Resistance, Junction to Case<br>结到外壳的典型热阻  | --  | --          | <b>1.8</b>   | °C/W  |  |
| dV/dt                | Voltage Rate of Change<br>电压变化率                            | --  | --          | <b>10000</b> | V/μs  |  |

Note 1: 2.0uS Pulse Width, f=1.0KHz

Note 2: Pulse Test : 300us Pulse Width, 1% Duty Cycle

## X-ON Electronics

Largest Supplier of Electrical and Electronic Components

*Click to view similar products for [Schottky Diodes & Rectifiers](#) category:*

*Click to view products by [OSEN](#) manufacturer:*

Other Similar products are found below :

[MA4E2039](#) [MMBD301M3T5G](#) [HFA35HB60C](#) [RB160M-50TR](#) [D83C](#) [BAS16E6433HTMA1](#) [BAS 3010S-02LRH](#) [E6327](#) [BAT 54-02LRH](#)  
[E6327](#) [NRVBAF360T3G](#) [NSR05F40QNXT5G](#) [NTE555](#) [JANS1N6640](#) [SS3003CH-TL-E](#) [GA01SHT18](#) [CRS10I30A\(TE85L,QM](#)  
[MBRA140TRPBF](#) [MBRB30H30CT-1G](#) [BAT 15-04R](#) [E6152](#) [JANTX1N5712-1](#) [DMJ3940-000](#) [SB007-03C-TB-E](#) [NRVBB20100CTT4G](#)  
[NRVBM120LT1G](#) [NTSB30U100CT-1G](#) [CRG04\(T5L,TEMQ\)](#) [ACDBA1100LR-HF](#) [ACDBA1200-HF](#) [ACDBA240-HF](#) [ACDBA3100-HF](#)  
[CDBQC0530L-HF](#) [ACDBA260LR-HF](#) [ACDBA1100-HF](#) [10BQ015-M3/5BT](#) [NRVBM120ET1G](#) [VSSB410S-M3/5BT](#) [1N5819T-G](#)  
[PDS1040Q-13](#) [B160BQ-13-F](#) [SDM05U20CSP-7](#) [BAS 70-07](#) [E6433](#) [B140S1F-7](#) [HSM560Je3/TR13](#) [DDB2265-000](#) [ZHCS506QTA](#)  
[HSM190Je3/TR13](#) [B330AF-13](#) [ACDBUC0230-HF](#) [SDM1U100S1F-7](#) [MBR10200CTF-G1](#) [CDLL5712](#)