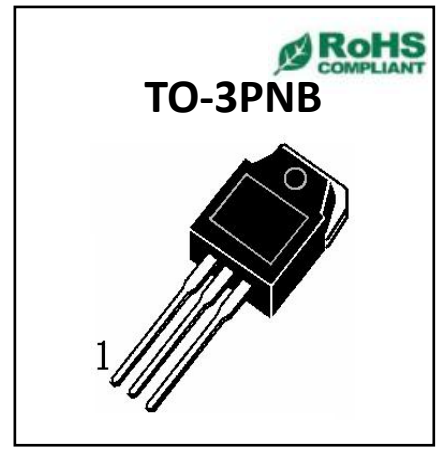


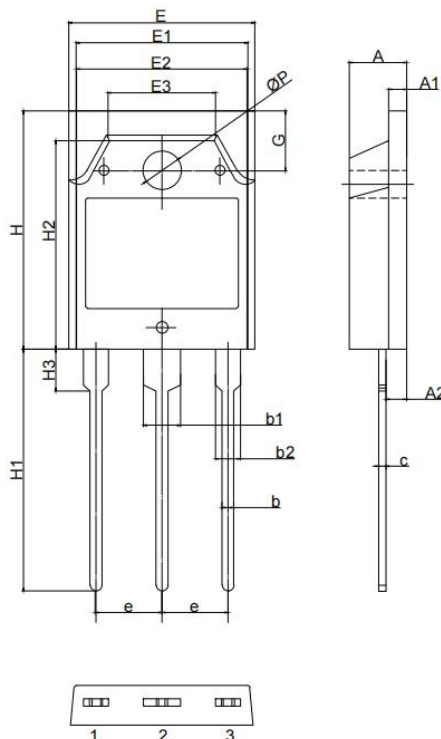
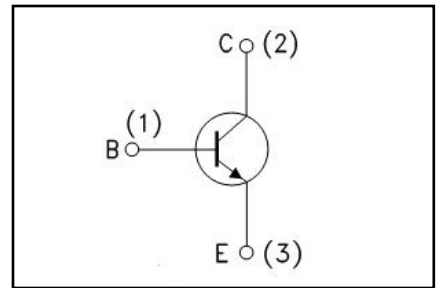
◆ **Features:**

- ◇ High efficiency, low deviation  
高效率，低偏差
- ◇ Small input impedance, low consumption of power  
输入阻抗小，功耗低
- ◇ Resistant of high temperature, high humidity  
抗高温、高湿
- ◇ Good stability, reliability  
稳定性好，可靠性高



◆ **Applications**

- ◇ Audio amplifier  
音频放大器
- ◇ Switching applications  
开关应用
- ◇ Complement to Type OJW0302G(PNP)  
与 OJW0302G 互补应用
- ◇ Recommend for 150W high fidelity audio frequency amplifier output stage applications  
推荐用于 150W 高保真音频放大器输出级应用



TO-3PNB尺寸表/mm			
Symbol	Min	Nom	Max
A	4.60	4.80	5.00
A1	1.30	1.50	1.60
A2	1.40	1.50	1.60
b	0.80	1.00	1.20
b1	2.90	3.10	3.30
b2	1.90	2.10	2.30
c	0.50	0.60	0.70
e	5.25	5.45	5.65
E	15.20	15.60	16.00
E1	13.20	13.40	13.60
E2	13.10	13.50	13.50
E3	9.10	9.30	9.50
H	19.80	20.00	20.20
H1	20.10	20.30	20.50
H2	18.50	18.70	18.90
H3	3.20	3.50	3.80
G	4.80	5.00	5.20
ØP	3.00	3.20	3.40

◆ Absolute Maximum Ratings ( $T_c=25^\circ\text{C}$ )

Symbol	Parameters	Ratings	Unit
VCBO	Collector-Base Voltage 集电极 - 基极电压	230	V
VCEO	Collector-Emitter Voltage 集电极 - 发射极电压	230	V
VEBO	Emitter-Base Voltage 发射极 - 基极电压	7	V
I <sub>c</sub>	Collector Current-Continuous 集电极连续电流	15	A
I <sub>B</sub>	Base Current-Continuous 基极连续电流	1.5	A
PC	Collector Power Dissipation 耗散功率	150	W
T <sub>j</sub>	Max.Operating junction temperature 最大结温	150	°C
Tstg	Storage Temperature 存储温度	-65 ~ +125	°C

◆ **Electrical characteristics** (Tc=25°C unless otherwise noted)

Symbol	Parameters	Min	Typ	Max	Units	Conditions
I <sub>CB0</sub>	Collector Cutoff Current 集电极截止电流		--	<b>1</b>	μA	V <sub>CE</sub> =230V, I <sub>B</sub> =0
I <sub>EB0</sub>	Emitter Cutoff Current 发射极截止电流		--	<b>1</b>	μA	V <sub>EB</sub> =5V, I <sub>C</sub> =0
BV <sub>CEO</sub>	Collector Emitter Sustaining voltage(Note 1) 集电极发射极持续电压	<b>230</b>			V	I <sub>C</sub> =50mA, I <sub>B</sub> =0
V <sub>CE(sat)</sub>	Collector Emitter Saturation Voltage(Note 1) 集电极发射极饱和电压			<b>1.2</b>	V	I <sub>C</sub> =8A, I <sub>B</sub> =0.8A
h <sub>FE</sub>	DC Current Gain(Note 1) 直流电流增益	<b>80</b>	--	<b>160</b>		I <sub>C</sub> =1A, V <sub>CE</sub> =5V
f <sub>T</sub>	Current-Gain—Bandwidth 电流增益带宽	<b>10</b>	--	--	MHz	V <sub>CE</sub> =5V, I <sub>C</sub> =1A, f=1MHz

Note 1: Pulse test: PW ≤ 300us , duty cycle ≤ 2%.

## X-ON Electronics

Largest Supplier of Electrical and Electronic Components

*Click to view similar products for [Bipolar Transistors - BJT category](#):*

*Click to view products by [OSEN manufacturer](#):*

Other Similar products are found below :

[BC559C](#) [MCH4017-TL-H](#) [MMBT-2369-TR](#) [BC546/116](#) [NJVMJD148T4G](#) [NTE16](#) [NTE195A](#) [IMX9T110](#) [2N4401-A](#) [2N6728](#) [2SA1419T-TD-H](#) [2SB1204S-TL-E](#) [2SC5488A-TL-H](#) [FMC5AT148](#) [2N2369ADCSM](#) [2N2907A](#) [2N3904-NS](#) [2N5769](#) [2SC4618TLN](#) [CPH6501-TL-E](#) [BC856BW-13-F](#) [US6T6TR](#) [BAX18/A52R](#) [BC556/112](#) [IMZ2AT108](#) [MMST8098T146](#) [MCH6102-TL-E](#) [BC846B-13-F](#) [2N3879](#) [30A02MH-TL-E](#) [NTE13](#) [NTE282](#) [NTE323](#) [NTE350](#) [NTE81](#) [JANTX2N2920L](#) [JANSR2N2907AUB](#) [CMLT3946EG TR](#) [SNSS40600CF8T1G](#) [CMLT3906EG TR](#) [GRP-DATA-JANS2N2907AUB](#) [GRP-DATA-JANS2N2222AUA](#) [MMDT3946FL3-7](#) [2N4240](#) [JANS2N3019](#) [MSB30KH-13](#) [2N2221AUB](#) [2SD1815T-TL-E](#) [2N6678](#) [2N2907Ae4](#)