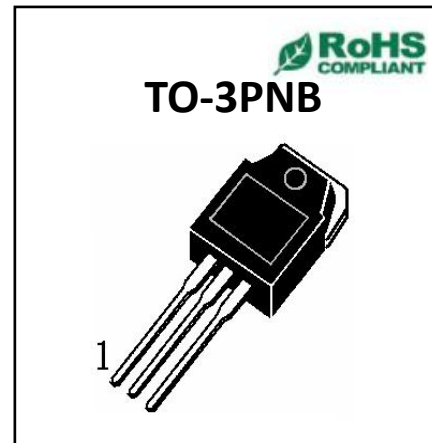


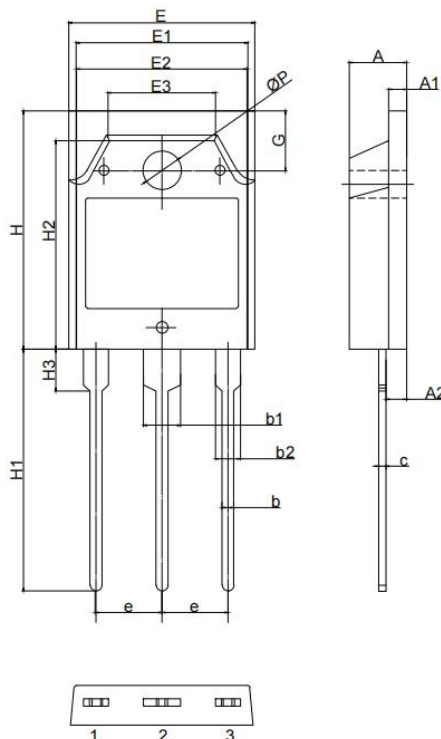
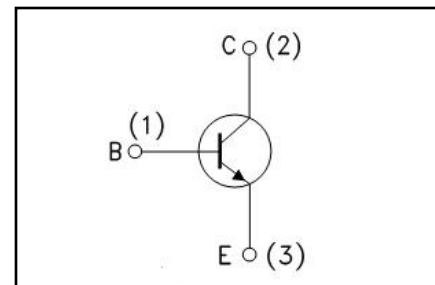
◆ **Features:**

- ◇ High efficiency, low deviation
高效率，低偏差
- ◇ Small input impedance, low consumption of power
输入阻抗小，功耗低
- ◇ Resistant of high temperature, high humidity
抗高温、高湿
- ◇ Good stability, reliability
稳定性好，可靠性高



◆ **Applications**

- ◇ Audio amplifier
音频放大器
- ◇ Switching applications
开关应用
- ◇ Complement to Type OJW0302G(PNP)
与 OJW0302G 互补应用
- ◇ Recommend for 150W high fidelity audio frequency amplifier output stage applications
推荐用于 150W 高保真音频放大器输出级应用



| TO-3PNB尺寸表/mm | | | |
|---------------|-------|-------|-------|
| Symbol | Min | Nom | Max |
| A | 4.60 | 4.80 | 5.00 |
| A1 | 1.30 | 1.50 | 1.60 |
| A2 | 1.40 | 1.50 | 1.60 |
| b | 0.80 | 1.00 | 1.20 |
| b1 | 2.90 | 3.10 | 3.30 |
| b2 | 1.90 | 2.10 | 2.30 |
| c | 0.50 | 0.60 | 0.70 |
| e | 5.25 | 5.45 | 5.65 |
| E | 15.20 | 15.60 | 16.00 |
| E1 | 13.20 | 13.40 | 13.60 |
| E2 | 13.10 | 13.50 | 13.50 |
| E3 | 9.10 | 9.30 | 9.50 |
| H | 19.80 | 20.00 | 20.20 |
| H1 | 20.10 | 20.30 | 20.50 |
| H2 | 18.50 | 18.70 | 18.90 |
| H3 | 3.20 | 3.50 | 3.80 |
| G | 4.80 | 5.00 | 5.20 |
| ØP | 3.00 | 3.20 | 3.40 |

◆ Absolute Maximum Ratings ($T_c=25^\circ\text{C}$)

| Symbol | Parameters | Ratings | Unit |
|----------------|--------------------------------------------|------------|------|
| VCBO | Collector-Base Voltage 集电极 - 基极电压 | 230 | V |
| VCEO | Collector-Emitter Voltage 集电极 - 发射极电压 | 230 | V |
| VEBO | Emitter-Base Voltage 发射极 - 基极电压 | 7 | V |
| I _c | Collector Current-Continuous 集电极连续电流 | 15 | A |
| I _B | Base Current-Continuous 基极连续电流 | 1.5 | A |
| PC | Collector Power Dissipation 耗散功率 | 150 | W |
| T _j | Max.Operating junction temperature 最大结温 | 150 | °C |
| Tstg | Storage Temperature 存储温度 | -65 ~ +125 | °C |

◆ **Electrical characteristics** (Tc=25°C unless otherwise noted)

| Symbol | Parameters | Min | Typ | Max | Units | Conditions |
|----------------------|---------------------------------------------------------------|------------|-----|------------|-------|----------------------------------------------------|
| I _{CBO} | Collector Cutoff Current 集电极截止电流 | | -- | 1 | μA | V _{CE} =230V, I _B =0 |
| I _{EBO} | Emitter Cutoff Current 发射极截止电流 | | -- | 1 | μA | V _{EB} =5V, I _C =0 |
| BV _{CEO} | Collector Emitter Sustaining voltage(Note 1) 集电极发射极持续电压 | 230 | | | V | I _C =50mA, I _B =0 |
| V _{CE(sat)} | Collector Emitter Saturation Voltage(Note 1) 集电极发射极饱和电压 | | | 1.2 | V | I _C =8A, I _B =0.8A |
| h _{FE} | DC Current Gain(Note 1) 直流电流增益 | 80 | -- | 160 | | I _C =1A, V _{CE} =5V |
| f _T | Current-Gain—Bandwidth 电流增益带宽 | 10 | -- | -- | MHz | V _{CE} =5V, I _C =1A, f=1MHz |

Note 1: Pulse test: PW ≤ 300us , duty cycle ≤ 2%.

X-ON Electronics

Largest Supplier of Electrical and Electronic Components

Click to view similar products for [Bipolar Transistors - BJT category](#):

Click to view products by [OSEN manufacturer](#):

Other Similar products are found below :

[BC559C](#) [MCH4017-TL-H](#) [MMBT-2369-TR](#) [BC546/116](#) [NJVMJD148T4G](#) [NTE16](#) [NTE195A](#) [IMX9T110](#) [2N4401-A](#) [2N6728](#) [2SA1419T-TD-H](#) [2SB1204S-TL-E](#) [2SC5488A-TL-H](#) [FMC5AT148](#) [2N2369ADCSM](#) [2N2907A](#) [2N3904-NS](#) [2N5769](#) [2SC4618TLN](#) [CPH6501-TL-E](#) [BC856BW-13-F](#) [US6T6TR](#) [BAX18/A52R](#) [BC556/112](#) [IMZ2AT108](#) [MMST8098T146](#) [MCH6102-TL-E](#) [BC846B-13-F](#) [2N3879](#) [30A02MH-TL-E](#) [NTE13](#) [NTE282](#) [NTE323](#) [NTE350](#) [NTE81](#) [JANTX2N2920L](#) [JANSR2N2907AUB](#) [CMLT3946EG TR](#) [SNSS40600CF8T1G](#) [CMLT3906EG TR](#) [GRP-DATA-JANS2N2907AUB](#) [GRP-DATA-JANS2N2222AUA](#) [MMDT3946FL3-7](#) [2N4240](#) [JANS2N3019](#) [MSB30KH-13](#) [2N2221AUB](#) [2SD1815T-TL-E](#) [2N6678](#) [2N2907Ae4](#)