



# OSD80N03T

## LOW Voltage Trench Nch MOSFET

### ◆ Features:

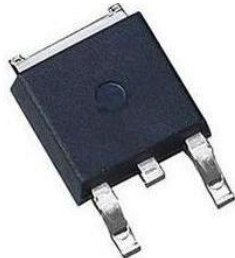
- ✧ Fast switching speed  
开关速度快
- ✧ Low gate charge  
低门充电
- ✧ High power and current handling capability  
高功率和电流处理能力
- ✧ RoHS compliant  
符合 RoHS 标准

### ◆ Applications

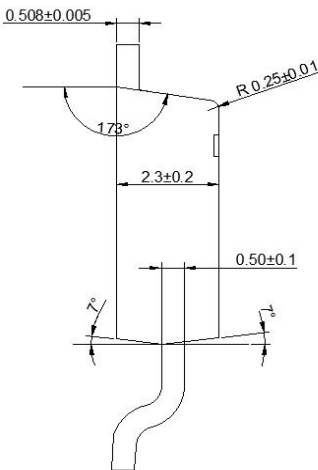
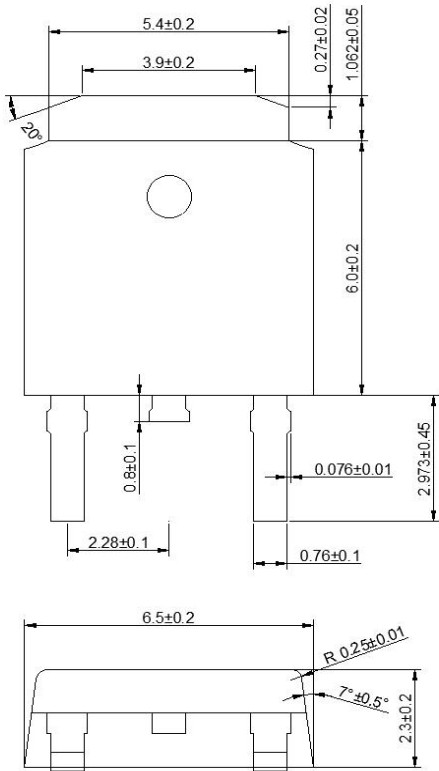
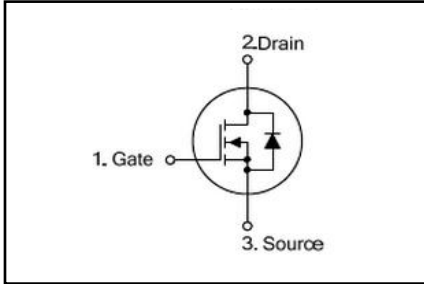
- ✧ DC to DC converters  
直流到直流转换
- ✧ Synchronous Rectification  
同步整流



### TO-252



1



单位: mm  
TO-252

### ◆ Absolute Maximum Ratings (Tc=25°C)

Symbol	Parameters	Ratings	Unit
V <sub>DSS</sub>	Drain-Source Voltage 漏源电压	30	V
V <sub>GS</sub>	Gate-Source Voltage-Continuous 栅源电压	±20	V
I <sub>D</sub>	Drain Current-Continuous (Note 2) 漏极持续电流	80	A
I <sub>DM</sub>	Drain Current-Single Plused (Note 1) 漏极单次脉冲电流	320	A
P <sub>D</sub>	Power Dissipation (Note 2) 功率损耗	95	W
T <sub>j</sub>	Max.Operating junction temperature 最大结温	150	°C

### ◆ Electrical characteristics (Tc=25°C unless otherwise noted)

Symbol	Parameters	Min	Typ	Max	Units	Conditions
<b>Static Characteristics</b>						
B <sub>VDS</sub>	Drain-Source Breakdown Voltage 漏极击穿电压 (Note 1)	30	--	--	V	I <sub>D</sub> =250μA, V <sub>GS</sub> =0V
V <sub>GS(th)</sub>	Gate Threshold Voltage 栅极开启电压	1.0	1.5	2.5	V	V <sub>DS</sub> =V <sub>GS</sub> , I <sub>D</sub> =250μA
R <sub>DS(on)</sub>	Drain-Source On-Resistance 漏源导通电阻	--	4.3	5.5	mΩ	V <sub>GS</sub> =10V, I <sub>D</sub> =20A
I <sub>GSS</sub>	Gate-Body Leakage Current 栅极漏电流	--	--	±100	nA	V <sub>GS</sub> =±25V, V <sub>DS</sub> =0
I <sub>DSS</sub>	Zero Gate Voltage Drain Current 零栅极电压漏极电流	--	--	1	μA	V <sub>DS</sub> =30V, V <sub>GS</sub> =0
g <sub>fs</sub>	Forward Transconductance 正向跨导	20	--	--	S	V <sub>DS</sub> =10V, I <sub>D</sub> =20A

**LOW Voltage Trench Nch MOSFET**

Switching Characteristics						
$T_{d(on)}$	Turn-On Delay Time 开启延迟时间	--	<b>15</b>	--	ns	$V_{GS}=10V,$ $V_{DS}=30V, I_D=30A,$ $R_G=1\Omega$
$T_r$	Rise Time 上升时间	--	<b>13</b>	--	ns	
$T_{d(off)}$	Turn-Off Delay Time 关闭延迟时间	--	<b>35</b>	--	ns	
$T_f$	Fall Time 下降时间	--	<b>10</b>	--	ns	
$Q_g$	Total Gate Charge 栅极总电荷	--	<b>75</b>	--	nC	$V_{DS}=30, V_{GS}=4.5V,$ $I_D=40A$
$Q_{gs}$	Gate-Source Charge 栅源极电荷	--	<b>15</b>	--	nC	
$Q_{gd}$	Gate-Drain Charge 栅漏极电荷	--	<b>25</b>	--	nC	
Dynamic Characteristics						
$C_{iss}$	Input Capacitance 输入电容	--	<b>2250</b>	--	pF	$V_{DS}=20V, V_{GS}=0,$ $f=1MHz$
$C_{oss}$	Output Capacitance 输出电容	--	<b>365</b>	--	pF	
$C_{rss}$	Reverse Transfer Capacitance 反向传输电容	--	<b>55</b>	--	pF	
$I_S$	Continuous Drain-Source Diode Forward Current (Note 2) 二极管导通正向持续电流	--	--	<b>80</b>	A	
$V_{SD}$	Diode Forward On-Voltage 二极管正向导通电压	--	--	<b>0.7</b>	V	$I_S=1A, V_{GS}=0$
$R_{th(j-c)}$	Thermal Resistance, Junction to Case 结到外壳的热阻	--	--	<b>1.31</b>	$^{\circ}C/W$	

Note 1: Repetitive Rating : Pulse width limited by maximum junction temperature

Note 2: Pulse test: PW  $\leq$  300us , duty cycle  $\leq$  2%.

## X-ON Electronics

Largest Supplier of Electrical and Electronic Components

*Click to view similar products for [MOSFET](#) category:*

*Click to view products by [OSEN](#) manufacturer:*

Other Similar products are found below :

[IRFD120](#) [IRFY240C](#) [JANTX2N5237](#) [2SK2267\(Q\)](#) [BUK455-60A/B](#) [MIC4420CM-TR](#) [VN1206L](#) [NDP4060](#) [SI4482DY](#)  
[IPS70R2K0CEAKMA1](#) [SQD23N06-31L-GE3](#) [TK16J60W,S1VQ\(O](#) [2SK2614\(TE16L1,Q\)](#) [DMN1017UCP3-7](#) [EFC2J004NUZTDG](#)  
[DMN1053UCP4-7](#) [SQJ469EP-T1-GE3](#) [NTE2384](#) [DMC2700UDMQ-7](#) [DMN2080UCB4-7](#) [DMN61D9UWQ-13](#) [US6M2GTR](#)  
[DMN31D5UDJ-7](#) [DMP22D4UFO-7B](#) [DMN1006UCA6-7](#) [DMN16M9UCA6-7](#) [STF5N65M6](#) [IRF40H233XTMA1](#) [STU5N65M6](#)  
[DMN6022SSD-13](#) [DMN13M9UCA6-7](#) [DMTH10H4M6SPS-13](#) [DMN2990UFB-7B](#) [IPB80P04P405ATMA2](#) [2N7002W-G](#) [MCAC30N06Y-](#)  
[TP](#) [MCQ7328-TP](#) [NTMC083NP10M5L](#) [NVMFS2D3P04M8LT1G](#) [BXP7N65D](#) [BXP4N65F](#) [AOL1454G](#) [WMJ80N60C4](#) [BXP2N20L](#)  
[BXP2N65D](#) [BXT1150N10J](#) [BXT1700P06M](#) [TSM60NB380CP](#) [ROG](#) [RQ7L055BGTCR](#) [DMNH15H110SK3-13](#)