

P. 1

**Technical Data Sheet**  
**Metal Gear Digital Servo**  
**Part No. LS-0009AF**

### 1. Apply Environmental Condition

No.	Item	Specification
1-1	Storage Temperature Range	-20°C - 60°C
1-2	Operating Temperature Range	-10°C - 50°C
1-3	Operating Voltage Range	4.5V - 6.0V

### 2. Standard Test Environment

No.	Item	Specification
2-1	Standard Test Environment	Any test must be under normal temperature and humidity. Temperature: $25 \pm 5^\circ\text{C}$ Humidity: $65 \pm 10\%$ , according to the standard to judge.

### 3. Electrical Specification (Function of the Performance)

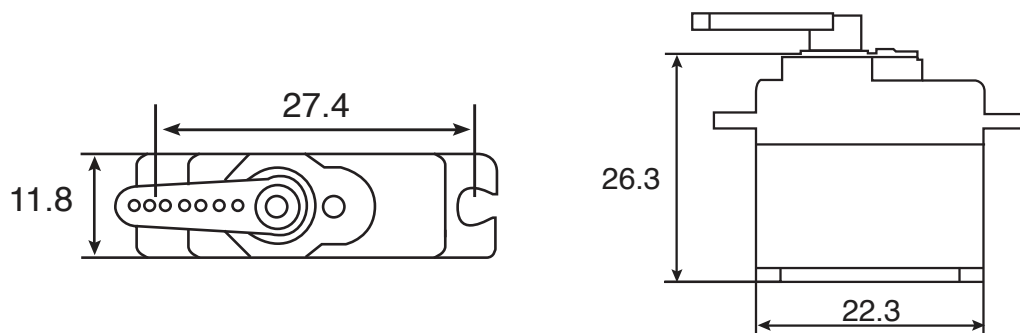
No.	Item	4.8V	6.0V
4-1	Operating speed (at no load)	0.12 sec / 60°	0.1 sec / 60°
4-2	Running current (at no load)	120 mA	150 mA
4-3	Stall torque (at locked)	1.3 kg - cm,	1.5 kg - cm
4-4	Stall current (at locked)	900 mA	1 A
4-5	Idle current (at stopped)	4 mA	5 mA

## 4. Mechanical Specification

No.	Item	Specification
5-1	Overall Dimensions	22.3*11.8*26.3
5-2	Limit angle	$180^{\circ} \pm 10^{\circ}$
5-3	Weight	$10 \pm 1$ g
5-4	Connector wire gauge	# 28 PVC
5-5	Connector wire length	$180 \pm 5$ mm
5-6	Horn gear spline	21T/ $\psi$ 4.86
5-7	Reduction ratio	320:1

## 5. Control Specification

No.	Item	Specification
6-1	Control system	Change pulse width
6-2	Amplifier type	Analog control
6-3	Operating travel	$90^{\circ}$ (at 1000 $\rightarrow$ 2000 $\mu$ sec)
6-4	Neutral position	1500 $\mu$ sec
6-5	Dead band width	4 $\mu$ sec
6-6	Rotating direction	anticlockwise (at 1500 $\rightarrow$ 2000 $\mu$ sec)
6-7	Pulse width range	800 $\rightarrow$ 2200 $\mu$ sec
6-8	Maximum travel	About $165^{\circ}$ (at 800 $\rightarrow$ 2200 $\mu$ sec)



## X-ON Electronics

Largest Supplier of Electrical and Electronic Components

*Click to view similar products for [OSEPP Accessories](#) category:*

*Click to view products by [OSEPP Electronics](#) manufacturer:*

Other Similar products are found below :

[LS-00016](#) [LS-00019](#) [PHOTO-01](#) [LS-00004](#) [LS-00008](#) [LS-00002](#) [DB9WACC](#) [ENC-01](#) [LS-00015](#) [LS-00014](#) [POTEN-01](#) [LS-00031](#)  
[DB8WACC](#) [PROTO-01](#) [LS-00017](#) [LS-00003](#) [LS-00009](#) [LS-00010](#) [LS-00007](#) [TRAKX40](#) [LS-FFPJ-6](#) [LS-3006](#) [LS-MMPJ-6](#) [LS-MFPJ-6](#)  
[LS-00001](#) [JOY-01](#) [LS-00012](#) [SENSHD-01](#) [LS-0006](#) [3PIN-01](#) [LS-00047](#) [HHESD025](#) [KCC-01](#) [LS-00021](#) [LS-00024](#) [LS-00025](#) [LS-00027](#)  
[LS-00029](#) [LS-00030](#) [LS-00040](#) [LS-00042](#) [LS-00043](#) [LS-00048](#) [LS-00049](#) [LS-00050](#) [LS-00051](#) [LS-00053](#) [LS-00054](#) [LS-00055](#) [LS-00056](#)