

Technical Data Sheet
Metal Gear Digital Servo
Part No. LS-8101F

1. Apply Environmental Condition

No.	Item	Specification
1-1	Storage Temperature Range	-20°C - 60°C
1-2	Operating Temperature Range	-10°C - 50°C
1-3	Operating Voltage Range	5V - 7.2V

2. Standard Test Environment

No.	Item	Specification
2-1	Standard Test Environment	Any test must be under normal temperature and humidity. Temperature: $25 \pm 5^{\circ}\text{C}$ Humidity: $65 \pm 10\%$, according to the standard to judge.

3. Appearance Inspection

No.	Item	Specification
3-1	Outline Drawing	40.8*20.1*37.6
3-2	Appearance	

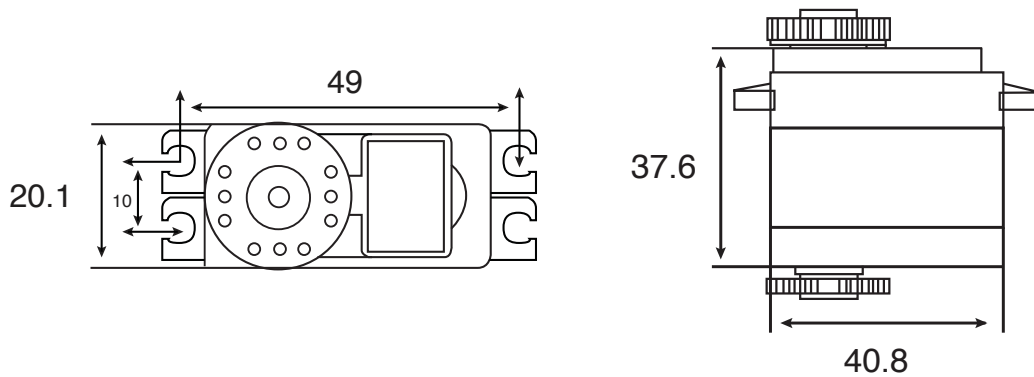
4. Electrical Specification (Function of the Performance)

No.	Item	6V	7.2V
4-1	Operating speed (at no load)	0.96 sec / 360°	0.84 sec / 360°
4-2	Running current (at no load)	400 mA	500 mA
4-3	Stall torque (at locked)	12 kg - cm,	13kg - cm
4-4	Stall current (at locked)	2.7A	2.8A
4-5	Idle current (at stopped)	4 mA	5 mA

5. Mechanical Specification

No.	Item	Specification
5-1	Overall Dimensions	40.8*20.1*37.6
5-2	Limit angle	180°± 10°
5-3	Weight	56± 1 g
5-4	Connector wire gauge	# 28 PVC
5-5	Connector wire length	300 ± 5 mm
5-6	Horn gear spline	25T/ψ 5.90
5-7	Horn type	disc
5-8	Reduction ratio	347:1

6. Mechanical Specification



X-ON Electronics

Largest Supplier of Electrical and Electronic Components

Click to view similar products for [OSEPP Accessories](#) category:

Click to view products by [OSEPP Electronics](#) manufacturer:

Other Similar products are found below :

[LS-00016](#) [LS-00019](#) [PHOTO-01](#) [LS-00004](#) [LS-00008](#) [LS-00002](#) [DB9WACC](#) [ENC-01](#) [LS-00015](#) [LS-00014](#) [POTEN-01](#) [LS-00031](#)
[DB8WACC](#) [PROTO-01](#) [LS-00017](#) [LS-00003](#) [LS-00009](#) [LS-00010](#) [LS-00007](#) [TRAKX40](#) [LS-FFPJ-6](#) [LS-3006](#) [LS-MMPJ-6](#) [LS-MFPJ-6](#)
[LS-00001](#) [JOY-01](#) [LS-00012](#) [SENSHD-01](#) [LS-0006](#) [3PIN-01](#) [LS-00047](#) [HHESD025](#) [KCC-01](#) [LS-00021](#) [LS-00024](#) [LS-00025](#) [LS-00027](#)
[LS-00029](#) [LS-00030](#) [LS-00040](#) [LS-00042](#) [LS-00043](#) [LS-00048](#) [LS-00049](#) [LS-00050](#) [LS-00051](#) [LS-00053](#) [LS-00054](#) [LS-00055](#) [LS-00056](#)