

PRODUCT FAMILY DATASHEET

PARATHOM MR16

Low-voltage LED reflector lamps MR16 with retrofit pin base



AREAS OF APPLICATION

- Shops and exhibition rooms
- Domestic applications
- Commercial applications
- Accent lighting
- Outdoor use in outdoor luminaires only (minimum IP65)

PRODUCT BENEFITS

- Quick, simple and safe replacement without rewiring
- Design, dimensions, luminous flux comparable to an incandescent or halogen lamp
- Low maintenance costs thanks to long lifetime
- No UV and near-IR radiation in the light beam
- Instant 100 % light, no warm-up time

PRODUCT FEATURES

- LED alternative to low voltage halogen lamps
- High color consistency: ≤ 6 SDCM
- Not dimmable
- Base: GU5.3
- Lamp made of glass
- Good quality of light; color rendering index $R_a: \geq 80$
- Lifetime: up to 15,000 h



TECHNICAL DATA

Product description	Electrical data					Photometrical data
	Nominal wattage	Nominal voltage	Claimed equiv. conventional lamp power	Max. lamp no. on circuit break. 10 A (B)	Max. lamp no. on circuit break. 16 A (B)	Luminous intensity [PIM]
P MR16 20 36° 2.6 W/3000K GU5.3 ¹⁾	2.60 W	12 V	20 W	29	48	600 cd
P MR16 20 36° 2.6 W/2700K GU5.3 ¹⁾	2.60 W	12 V	20 W	21	35	600 cd
P MR16 20 36° 2.6 W/4000K GU5.3 ¹⁾	2.60 W	12 V	20 W	21	35	600 cd
P MR16 35 36° 3.8 W/3000K GU5.3 ¹⁾	3.80 W	12 V	35 W	21	35	
P MR16 35 36° 4.6 W/2700K GU5.3 ¹⁾	4.60 W	12 V	35 W	21	35	950 cd
P MR16 35 36° 3.8 W/2700K GU5.3 ¹⁾	3.80 W	12 V	35 W	21	35	950 cd
P MR16 35 36° 3.8 W/4000K GU5.3 ¹⁾	3.80 W	12 V	35 W	21	35	950 cd
P MR16 50 36° 7.2 W/2700K GU5.3 ¹⁾	7.20 W	12 V	50 W	20	33	1430 cd
P MR16 50 36° 7.2 W/3000K GU5.3 ¹⁾	7.20 W	12 V	50 W	20	33	1430 cd
P MR16 50 36° 7.2 W/4000K GU5.3 ¹⁾	7.20 W	12 V	50 W	20	33	1430 cd
P MR16 50 36° 8 W/4000K GU5.3 ¹⁾	8.00 W	12 V	50 W	22	36	
P MR16 50 36° 8 W/3000K GU5.3 ¹⁾	8.00 W	12 V	50 W	22	36	
P MR16 50 36° 8 W/2700K GU5.3 ¹⁾	8.00 W	12 V	50 W	22	36	

Product description	Light color (designation)	Color temperature	Luminous flux	Color rendering index Ra	Light technical data		Dimensions & weight
					Beam angle	Warm-up time (60 %)	Overall length
P MR16 20 36° 2.6 W/3000K GU5.3 ¹⁾	Warm White	3000 K	230 lm	≥80	36 °	< 0.50 s	46.0 mm
P MR16 20 36° 2.6 W/2700K GU5.3 ¹⁾	Warm White	2700 K	230 lm	≥80	36 °	< 0.50 s	46.0 mm
P MR16 20 36° 2.6 W/4000K GU5.3 ¹⁾	Cool White	4000 K	230 lm	≥80	36 °	< 0.50 s	46.0 mm
P MR16 35 36° 3.8 W/3000K GU5.3 ¹⁾	Warm White	3000 K	350 lm	≥80	36 °	< 0.50 s	46.0 mm
P MR16 35 36° 4.6 W/2700K GU5.3 ¹⁾	Warm White	2700 K	350 lm	≥80	36 °	< 0.50 s	46.0 mm
P MR16 35 36° 3.8 W/2700K GU5.3 ¹⁾	Warm White	2700 K	350 lm	≥80	36 °	< 0.50 s	46.0 mm
P MR16 35 36° 3.8 W/4000K GU5.3 ¹⁾	Cool White	4000 K	350 lm	≥80	36 °	< 0.50 s	46.0 mm
P MR16 50 36° 7.2 W/2700K GU5.3 ¹⁾	Warm White	2700 K	621 lm	≥80	36 °	< 0.50 s	53.0 mm

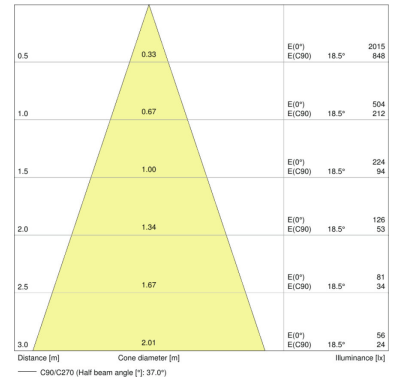
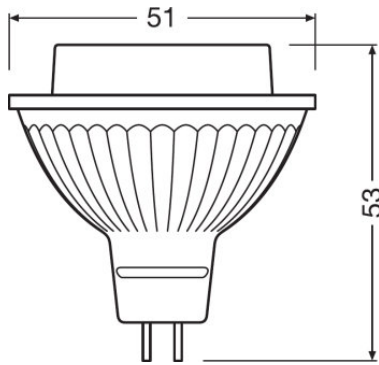
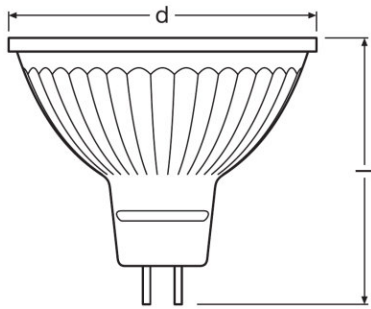
Product description	Light color (designation)	Color temperature	Luminous flux	Color rendering index Ra	Light technical data		Dimensions & weight
					Beam angle	Warm-up time (60 %)	Overall length
P MR16 50 36° 7.2 W/3000K GU5.3 ¹⁾	Warm White	3000 K	621 lm	≥80	36 °	< 0.50 s	53.0 mm
P MR16 50 36° 7.2 W/4000K GU5.3 ¹⁾	Cool White	4000 K	621 lm	≥80	36 °	< 0.50 s	53.0 mm
P MR16 50 36° 8 W/4000K GU5.3 ¹⁾	Cool White	4000 K	621 lm	≥80	36 °	< 0.50 s	46.0 mm
P MR16 50 36° 8 W/3000K GU5.3 ¹⁾	Warm White	3000 K	621 lm	80	36 °	< 0.50 s	46.0 mm
P MR16 50 36° 8 W/2700K GU5.3 ¹⁾	Warm White	2700 K	621 lm	≥80	36 °	< 0.50 s	46.0 mm

Product description	Number of switching cycles	Additional product data			Capabilities	Certificates & standards
		Base (standard designation)	Mercury content	Mercury-free	Dimmable	Energy efficiency
P MR16 20 36° 2.6 W/3000K GU5.3 ¹⁾	100000	GU5.3	0.0 mg	Yes	No	A++
P MR16 20 36° 2.6 W/2700K GU5.3 ¹⁾	100000	GU5.3	0.0 mg	Yes	No	A++
P MR16 20 36° 2.6 W/4000K GU5.3 ¹⁾	100000	GU5.3	0.0 mg	Yes	No	A++
P MR16 35 36° 3.8 W/3000K GU5.3 ¹⁾	100000	GU5.3	0.0 mg	Yes	No	A++
P MR16 35 36° 4.6 W/2700K GU5.3 ¹⁾	100000	GU5.3	0.0 mg	Yes	No	A+
P MR16 35 36° 3.8 W/2700K GU5.3 ¹⁾	100000	GU5.3	0.0 mg	Yes	No	A++
P MR16 35 36° 3.8 W/4000K GU5.3 ¹⁾	100000	GU5.3	0.0 mg	Yes	No	A++
P MR16 50 36° 7.2 W/2700K GU5.3 ¹⁾	100000	GU5.3	0.0 mg	Yes	No	A+
P MR16 50 36° 7.2 W/3000K GU5.3 ¹⁾	100000	GU5.3	0.0 mg	Yes	No	A+
P MR16 50 36° 7.2 W/4000K GU5.3 ¹⁾	100000	GU5.3	0.0 mg	Yes	No	A+
P MR16 50 36° 8 W/4000K GU5.3 ¹⁾	100000	GU5.3	0.0 mg	Yes	No	A+
P MR16 50 36° 8 W/3000K GU5.3 ¹⁾	100000	GU5.3	0.0 mg	Yes	No	A+
P MR16 50 36° 8 W/2700K GU5.3 ¹⁾	100000	GU5.3	0.0 mg	Yes	No	A+

Product description	Country-specific categorizations
	ILCOS
P MR16 20 36° 2.6 W/3000K GU5.3 ¹⁾	
P MR16 20 36° 2.6 W/2700K GU5.3 ¹⁾	DRR-2,9/827-12-GU5,3-50/36
P MR16 20 36° 2.6 W/4000K GU5.3 ¹⁾	DRR-2,9/840-12-GU5,3-50/36

Product description	Country-specific categorizations
	ILCOS
P MR16 35 36° 3.8 W/3000K GU5.3 ¹⁾	
P MR16 35 36° 4.6 W/2700K GU5.3 ¹⁾	DRR-4,6/827-12-GU5,3-50/36
P MR16 35 36° 3.8 W/2700K GU5.3 ¹⁾	DRR-4,6/827-12-GU5,3-50/36
P MR16 35 36° 3.8 W/4000K GU5.3 ¹⁾	DRR-4,6/840-12-GU5,3-50/36
P MR16 50 36° 7.2 W/2700K GU5.3 ¹⁾	DRR-7,2/827-12-GU5,3-50/36
P MR16 50 36° 7.2 W/3000K GU5.3 ¹⁾	DRR-7,2/830-12-GU5,3-50/36
P MR16 50 36° 7.2 W/4000K GU5.3 ¹⁾	DRR-7,2/840-12-GU5,3-50/36
P MR16 50 36° 8 W/4000K GU5.3 ¹⁾	
P MR16 50 36° 8 W/3000K GU5.3 ¹⁾	
P MR16 50 36° 8 W/2700K GU5.3 ¹⁾	

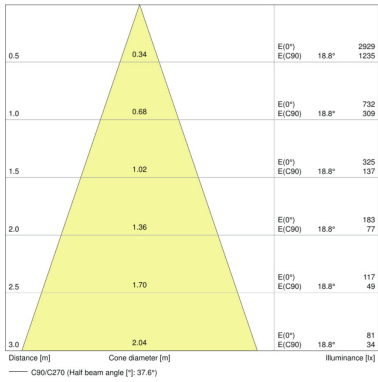
¹⁾ All technical parameters apply to the entire lamp/Due to the complex production process for light-emitting diodes, the typical values shown for the technical LED parameters are purely statistical values that do not n which can vary from the typical value



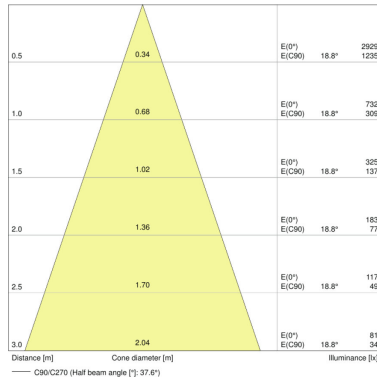
P MR16 20 36° 2.6 W/3000K GU5.3, P
 MR16 20 36° 2.6 W/2700K GU5.3, P
 MR16 20 36° 2.6 W/4000K GU5.3, P
 MR16 35 36° 3.8 W/3000K GU5.3, P
 MR16 35 36° 4.6 W/2700K GU5.3, P
 MR16 35 36° 3.8 W/2700K GU5.3, P
 MR16 35 36° 3.8 W/4000K GU5.3, P
 MR16 50 36° 8 W/4000K GU5.3, P MR16
 50 36° 8 W/3000K GU5.3, P MR16 50
 36° 8 W/2700K GU5.3

P MR16 50 36° 7.2 W/2700K GU5.3, P
 MR16 50 36° 7.2 W/3000K GU5.3, P
 MR16 50 36° 7.2 W/4000K GU5.3

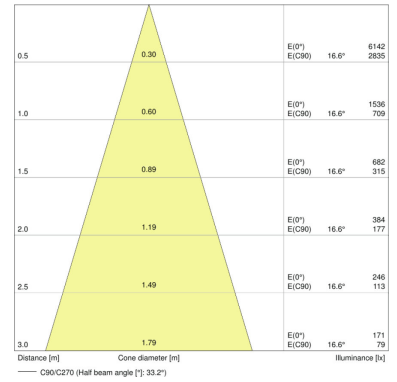
P MR16 20 36° 2.6 W/2700K GU5.3



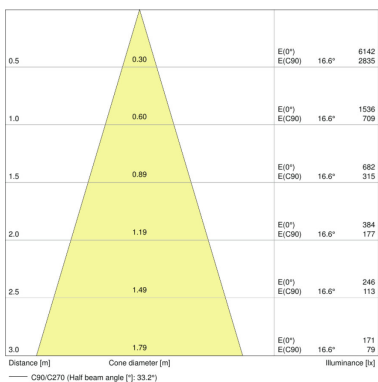
P MR16 35 36° 4.6 W/2700K GU5.3,
 P MR16 35 36° 3.8 W/2700K GU5.3



P MR16 35 36° 3.8 W/4000K GU5.3



P MR16 50 36° 7.2 W/2700K GU5.3



P MR16 50 36° 7.2 W/4000K GU5.3

EQUIPMENT / ACCESSORIES

- Equipped with high-power LEDs

APPLICATION ADVICE

For more detailed application information and graphics please see product datasheet.

LOGISTICAL DATA

Product code	Packaging unit (Pieces/Unit)	Dimensions (length x width x height)
4058075431362	Shipping carton box 10	257 mm x 110 mm x 70 mm
4058075431386	Shipping carton box 10	257 mm x 110 mm x 70 mm
4058075431324	Shipping carton box 10	257 mm x 110 mm x 70 mm
4058075431225	Shipping carton box 10	257 mm x 110 mm x 70 mm
4052899958470	Shipping carton box 10	257 mm x 110 mm x 70 mm
4058075431263	Shipping carton box 10	257 mm x 110 mm x 70 mm
4058075431164	Shipping carton box 10	257 mm x 110 mm x 70 mm
4052899958517	Shipping carton box 10	255 mm x 107 mm x 72 mm
4058075815582	Shipping carton box 10	255 mm x 107 mm x 72 mm
4052899958524	Shipping carton box 10	255 mm x 107 mm x 72 mm

Product code	Packaging unit (Pieces/Unit)	Dimensions (length x width x height)
4058075449374	Shipping carton box 10	255 mm x 107 mm x 72 mm
4058075449398	Shipping carton box 10	255 mm x 107 mm x 72 mm
4058075449411	Shipping carton box 10	255 mm x 107 mm x 72 mm

The mentioned product code describes the smallest quantity unit which can be ordered. One shipping unit can contain one or more single products. Enter single or multiples of a shipping unit.

REFERENCES / LINKS

For further products and actual information concerning LED lamps see

▶ www.ledvance.com/ledlamps

For Guarantee see

▶ www.ledvance.com/guarantee

Further information see

▶ www.ledvance.com/low-voltage-ledlamps

DISCLAIMER

Subject to change without notice. Errors and omission excepted. Always make sure to use the most recent release.

X-ON Electronics

Largest Supplier of Electrical and Electronic Components

Click to view similar products for [LED Replacement Lamps - Based LEDs](#) category:

Click to view products by [Osram](#) manufacturer:

Other Similar products are found below :

[LAPD-1A](#) [LAPD-1R](#) [LAPD-2R](#) [LAPD-6W](#) [LSTD-M4S](#) [SSP-1156B153S12](#) [SSP-1157B156U12](#) [SSP-LXS110818BA](#) [560-0101F](#) [560-0103F](#)
[LAPD-1W](#) [LAPD-6R](#) [560-0104F](#) [585-1113](#) [SSP-LXC1283S24](#) [SSP-3MB96U12G](#) [SLL-05EY](#) [1.90.690.684/0000](#) [560-0203F](#) [586-2206-205F](#) [SSP-LXS1826U16A](#) [LATD-2JW](#) [24LS4-G1](#) [24LS4-R1](#) [MF200-NFW5H](#) [MB403-W60-CW-BP](#) [1819LS2-G-CG](#) [387LP-R](#) [387LP-B](#)
[387LP-W](#) [387LP-G](#) [6S6LS155-CWR](#) [130MBLS-G-CG](#) [5000404LAMP](#) [E10SB12A](#) [E10SB130A](#) [E10SB24A](#) [E10SG12A](#) [E10SG130A](#)
[E10SR12A](#) [E10SR130A](#) [E10SW12A](#) [E10SY12A](#) [E10SY130A](#) [6S6LS130-CWW](#) [MF200-BCG12H](#) [MF200-NFR5H](#) [24L4-B1](#) [120PSBL-NWW](#) [MF200-NKG120](#)