

OSRAM SU CZHEF1.VC

Datasheet

Published by **ams-OSRAM AG**

Tobelbader Strasse 30, 8141 Premstaetten, Austria

Phone +43 3136 500-0

ams-osram.com

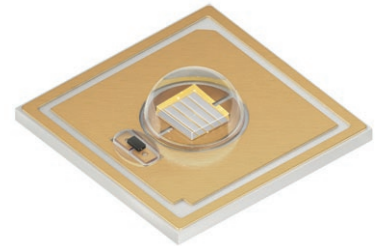
© All rights reserved



OSLON® UV 6060

SU CZHEF1.VC

This compact UV-C LED is part of the OSLON UV Series. It offers high efficiency in high power class. It allows a flexible design for any application which requires UV-C radiation.



Applications

- Horticulture Treatment
- Sensing
- UV-C Treatment

Features

- Package: Ceramic package with lens
- Chip technology: AlGaIn based flip chip
- Typ. Radiation: 150°
- Color: $\lambda_{\text{peak}} = 265 \text{ nm}$ (• ultraviolet (UV-C))
- ESD: 2 kV acc. to ANSI/ESDA/JEDEC JS-001 (HBM)
- Radiant Flux: typ. 100 mW
- Radiant Efficiency: typ. 5.7 %

Ordering Information

Type	Total radiant flux ¹⁾ $I_F = 250 \text{ mA}$ Φ_E	Ordering Code
SU CZHEF1.VC-U1U2-L0-V2	90.0 ... 130.0 mW	Q65113A4719

UV-C RISK GROUP 3



WARNING UV-C emitted from this product.
Avoid eye and skin exposure to unshielded product.
Follow installation instructions and user manual.

Maximum Ratings

Parameter	Symbol		Values
Operating Temperature	T_{op}	min.	10 °C
		max.	60 °C
Storage Temperature	T_{stg}	min.	-30 °C
		max.	75 °C
Junction Temperature	T_j	max.	75 °C
Forward current $T_s = 25\text{ °C}$	I_F	min.	100 mA
		max.	350 mA
Surge Current $T_s = 25\text{ °C}$	I_{FS}	max.	500 mA
ESD withstand voltage acc. to ANSI/ESDA/JEDEC JS-001 (HBM)	V_{ESD}		2 kV

Characteristics

$I_F = 250 \text{ mA}$; $T_s = 25 \text{ °C}$

Parameter	Symbol		Values
Peak Wavelength ²⁾	λ_{peak}	min.	260 nm
		typ.	265 nm
		max.	270 nm
Viewing angle at 50% I_V	2ϕ	typ.	150 °
Forward Voltage ³⁾	V_F	min.	6.50 V
		typ.	7.00 V
		max.	7.50 V
Real thermal resistance junction/solderpoint ⁴⁾	$R_{\text{thJS real}}$	typ.	4.4 K / W
Electrical thermal resistance junction/solderpoint with efficiency $\eta_e = 5.011 \%$	$R_{\text{thJS elec.}}$	typ.	4.2 K / W

Note :

typical optical output at 250mA = 100 mW

typical optical output at 350mA = 142 mW

Brightness Groups

Group	Total radiant flux ¹⁾ $I_F = 250 \text{ mA}$ min. Φ_E	Total radiant flux ¹⁾ $I_F = 250 \text{ mA}$ max. Φ_E
U1	90.0 mW	110.0 mW
U2	110.0 mW	130.0 mW

Wavelength Groups

Group	Peak Wavelength ²⁾ min. λ_{peak}	Peak Wavelength ²⁾ max. λ_{peak}
L0	260 nm	270 nm

Forward Voltage Groups

Group	Forward Voltage ³⁾ $I_F = 250 \text{ mA}$ min. V_F	Forward Voltage ³⁾ $I_F = 250 \text{ mA}$ max. V_F
V2	6.50 V	7.50 V

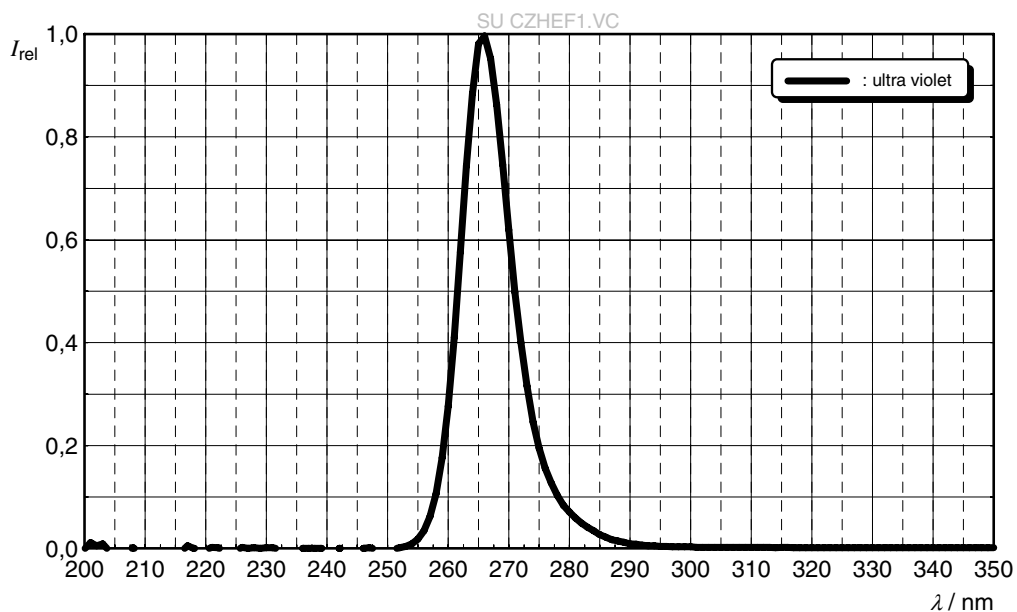
Group Name on Label

Example: U1-L0-V2

Brightness	Wavelength	Forward Voltage
U1	L0	V2

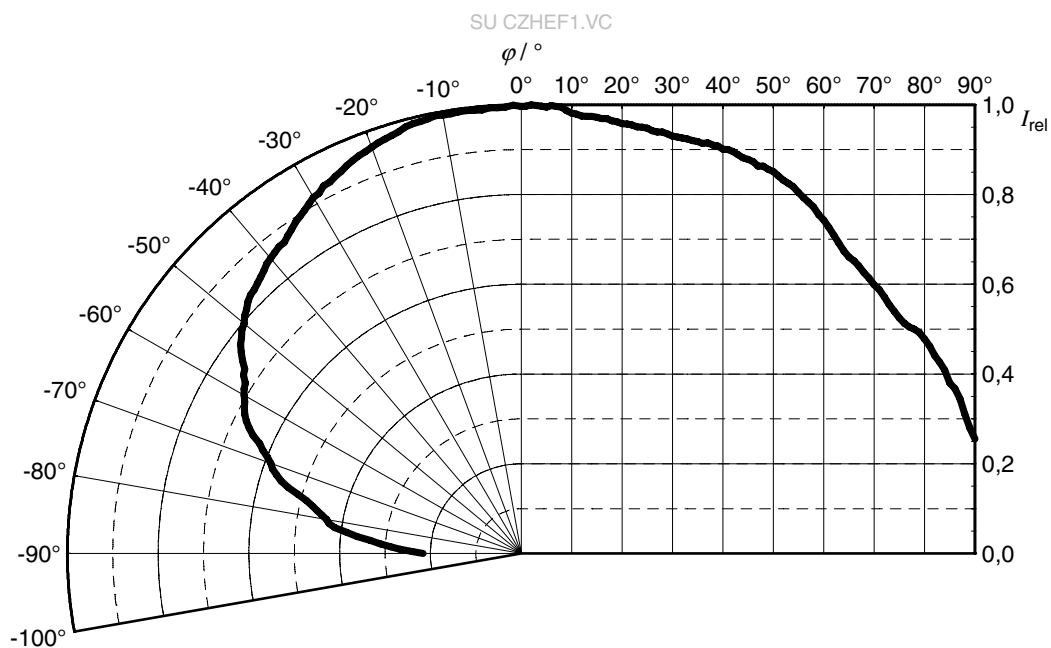
Relative Spectral Emission ⁵⁾

$I_{rel} = f(\lambda)$; $I_F = 250 \text{ mA}$; $T_S = 25 \text{ }^\circ\text{C}$



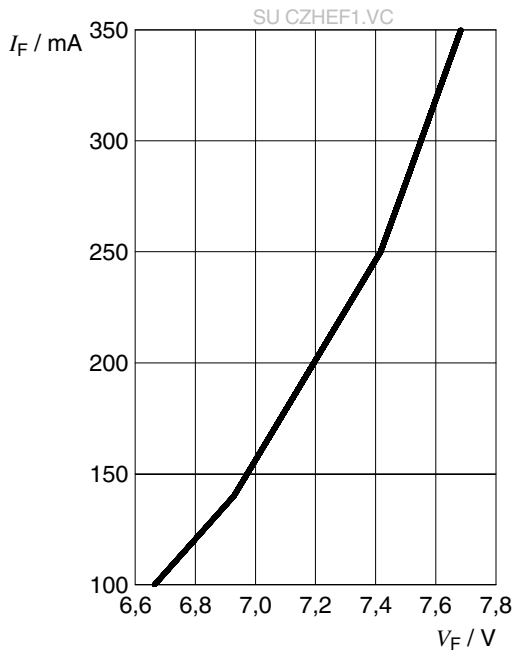
Radiation Characteristics ⁵⁾

$I_{rel} = f(\phi)$; $T_S = 25 \text{ }^\circ\text{C}$



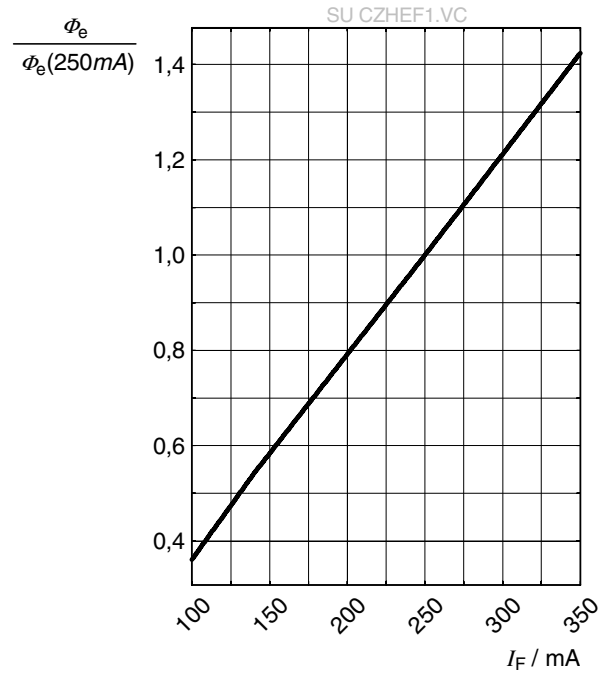
Forward current ⁵⁾

$I_F = f(V_F); T_S = 25\text{ °C}$



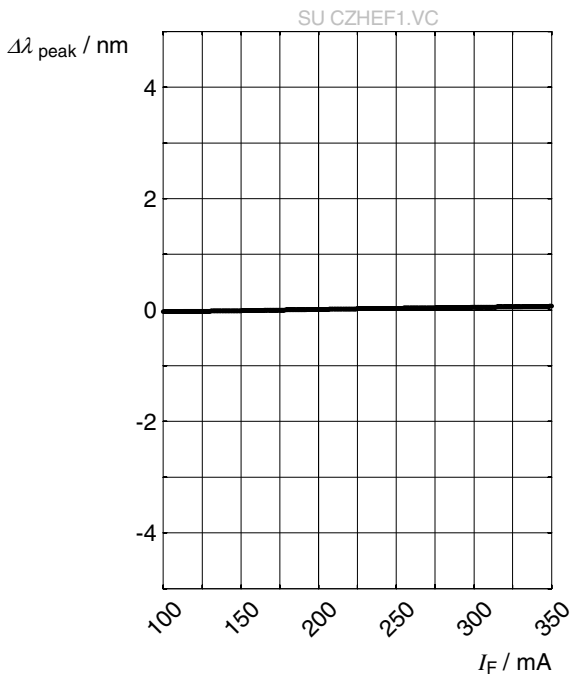
Relative Radiant Power ^{5), 6)}

$\Phi_E / \Phi_E(250\text{ mA}) = f(I_F); T_S = 25\text{ °C}$



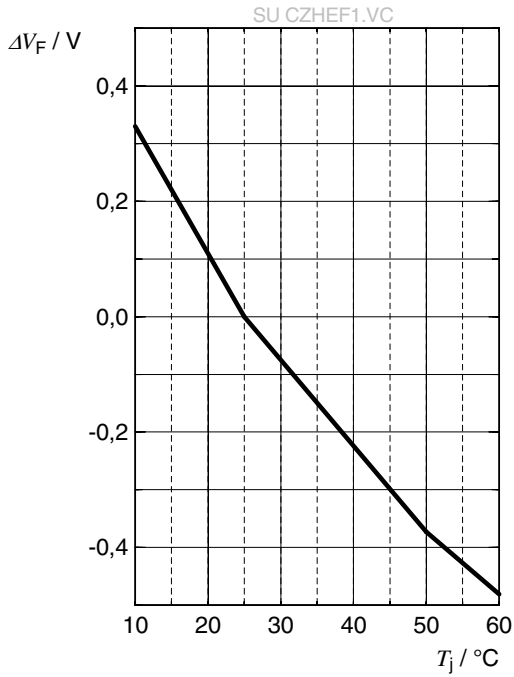
Peak Wavelength ⁵⁾

$\lambda_{\text{peak}} = f(T_j); I_F = 250\text{ mA}$



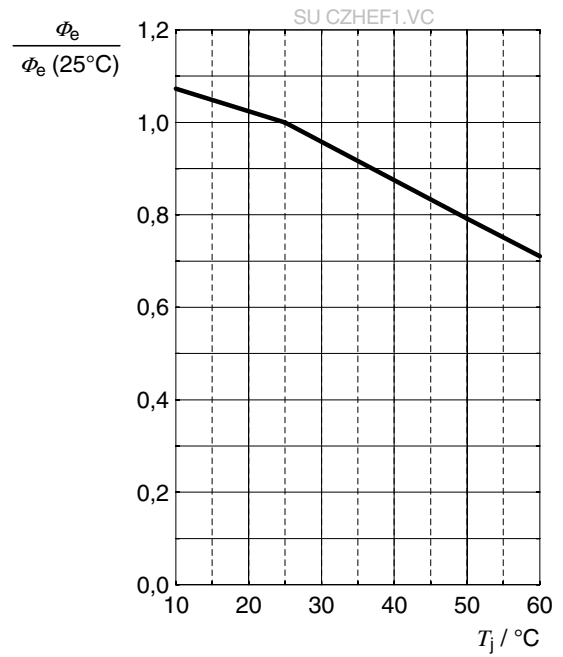
Forward Voltage ⁵⁾

$$\Delta V_F = V_F - V_F(25\text{ °C}) = f(T_j); I_F = 250\text{ mA}$$



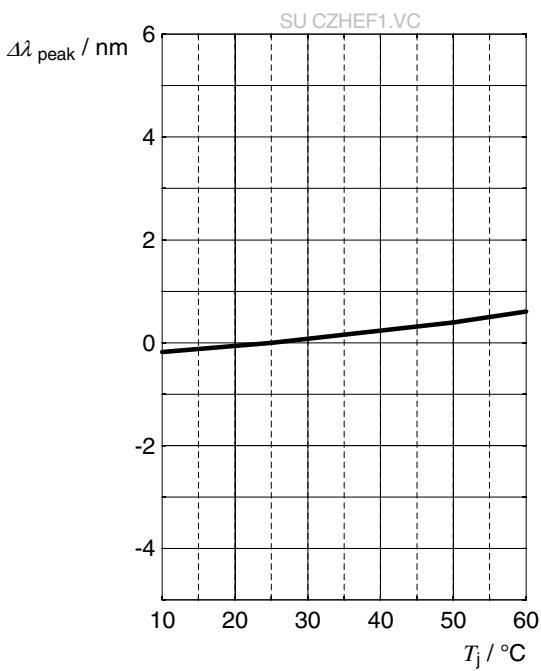
Relative Radiant Power ⁵⁾

$$\Phi_E / \Phi_E(25\text{ °C}) = f(T_j); I_F = 250\text{ mA}$$



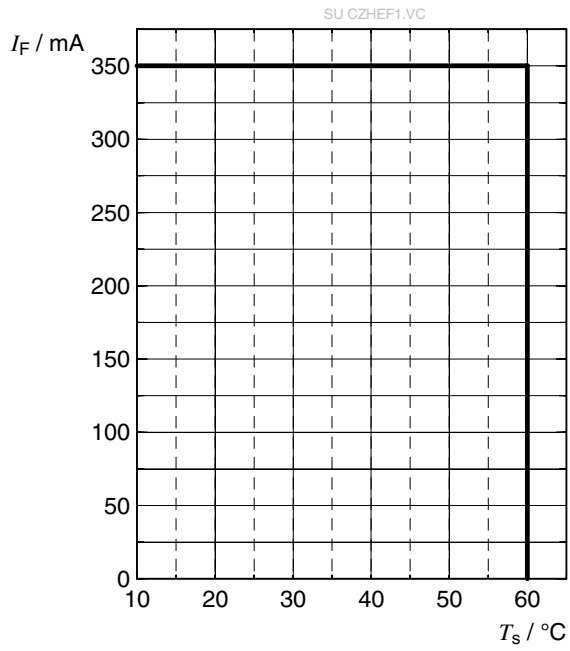
Peak Wavelength ⁵⁾

$$\lambda_{\text{peak}} = f(T_j); I_F = 250\text{ mA}$$

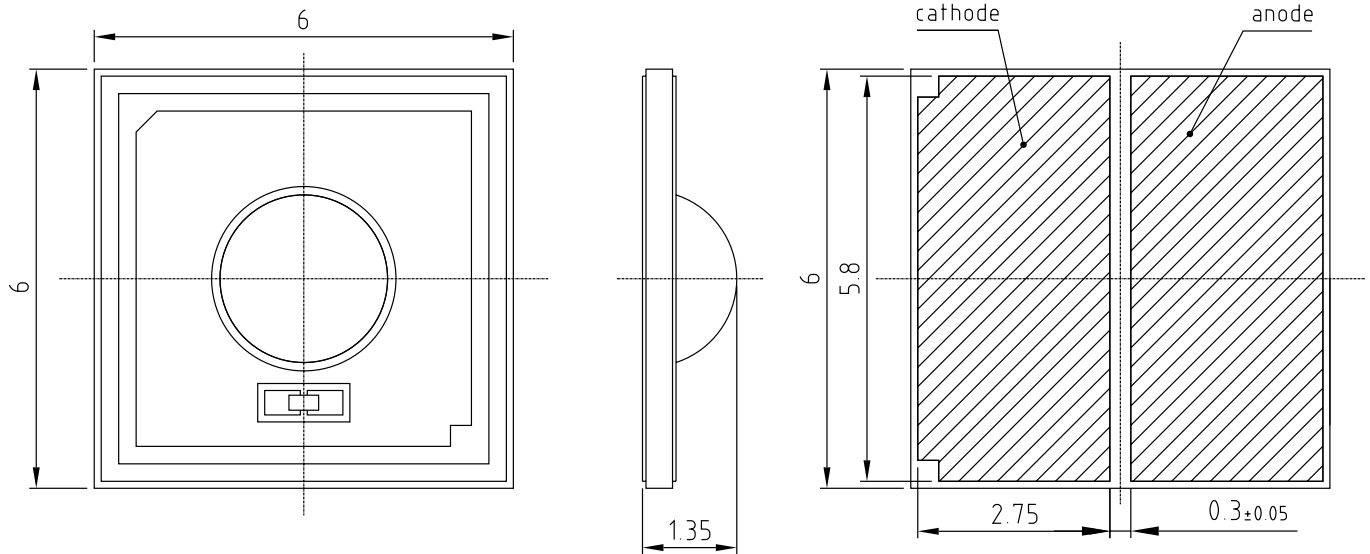


Max. Permissible Forward Current

$$I_F = f(T)$$



Dimensional Drawing ⁷⁾



lead finish Au
general tolerance ± 0.1



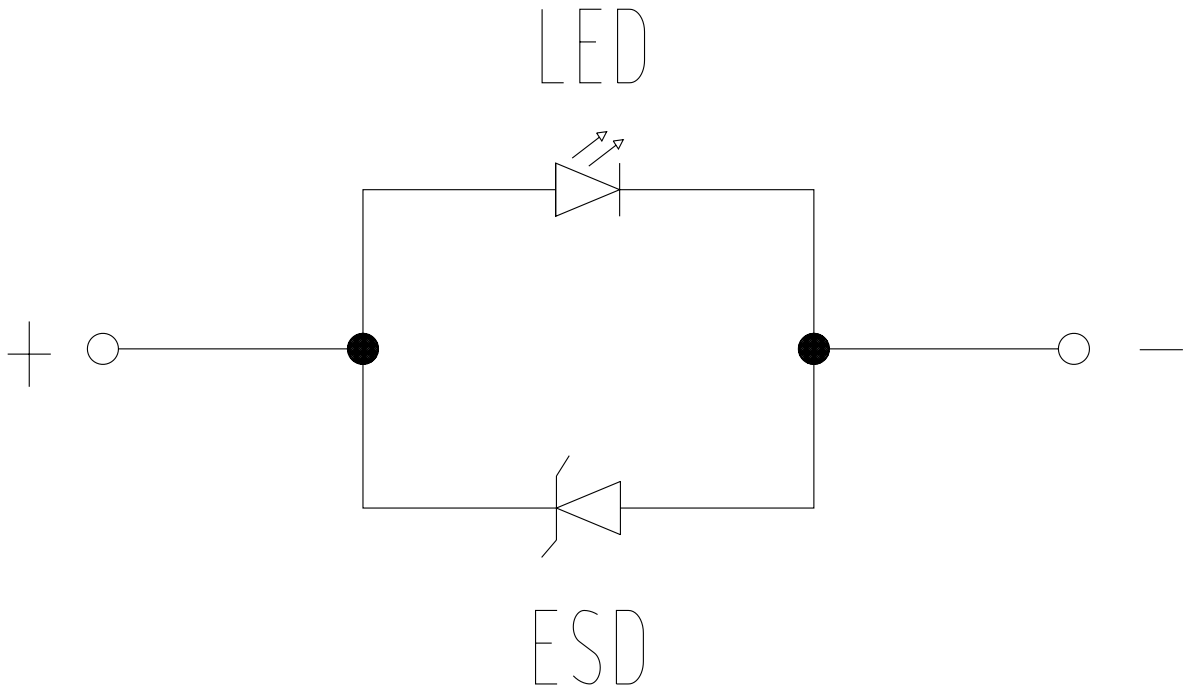
67062-A0404-A1-02

Further Information:

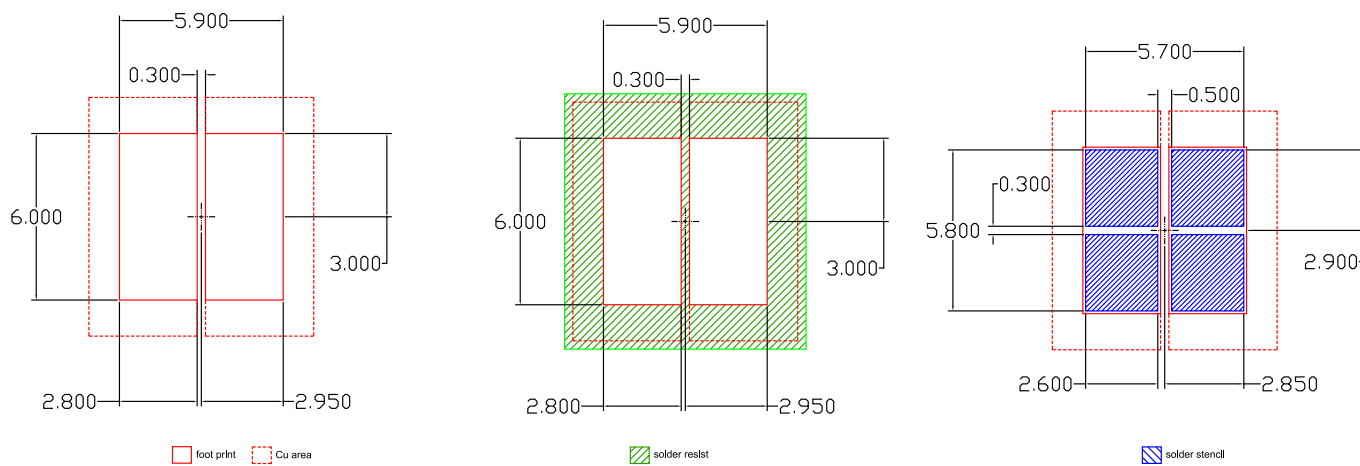
Approximate Weight: 75.0 mg

Package marking: Cathode

Electrical Internal Circuit

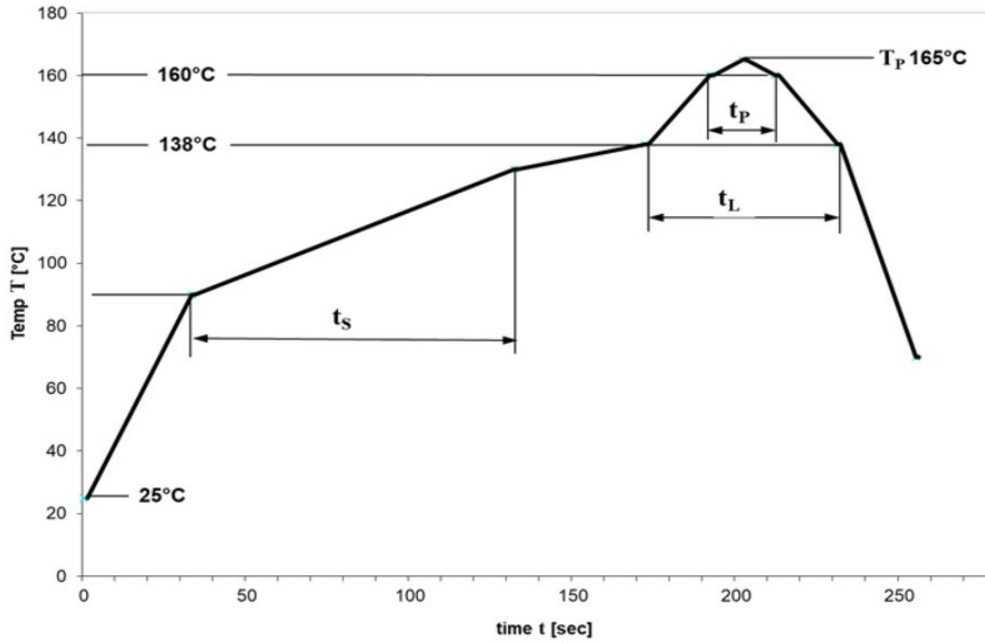


Recommended Solder Pad ⁷⁾



For superior solder joint connectivity results we recommend soldering under standard nitrogen atmosphere. Further information can be found in our Application Note: "Handling and Processing Details for Ceramic LEDs". Package not suitable for any kind of wet cleaning or ultrasonic cleaning.

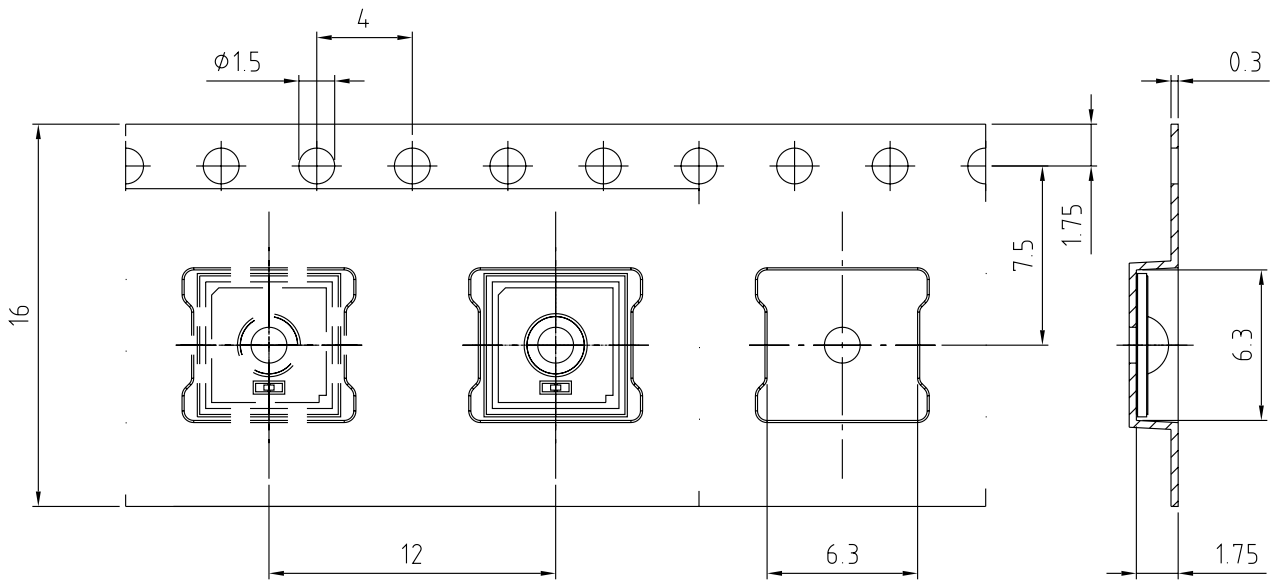
Reflow Soldering Profile



Profile Feature	Symbol	Low Melting (Sn42Bi57Ag)			Unit
		Minimum	Recommendation	Maximum	
Ramp-up rate to preheat ¹⁾ 25 °C to 130 °C			2	3	°C/s
Time t_s T_{Smin} to T_{Smax} (90 °C to 130 °C)	t_s	30	100	120	s
Ramp-up rate to peak ²⁾ T_{Smax} to T_P			2	3	°C/s
Liquidus temperature	T_L		140		°C
Time above liquidus temperature	t_L	30	60	100	s
Peak temperature	T_P	160	165	175	°C
Time within 5 °C of the specified peak temperature $T_P - 5$ K	t_p		20	30	s
Ramp-down rate* T_P to 100 °C			3	6	°C/s

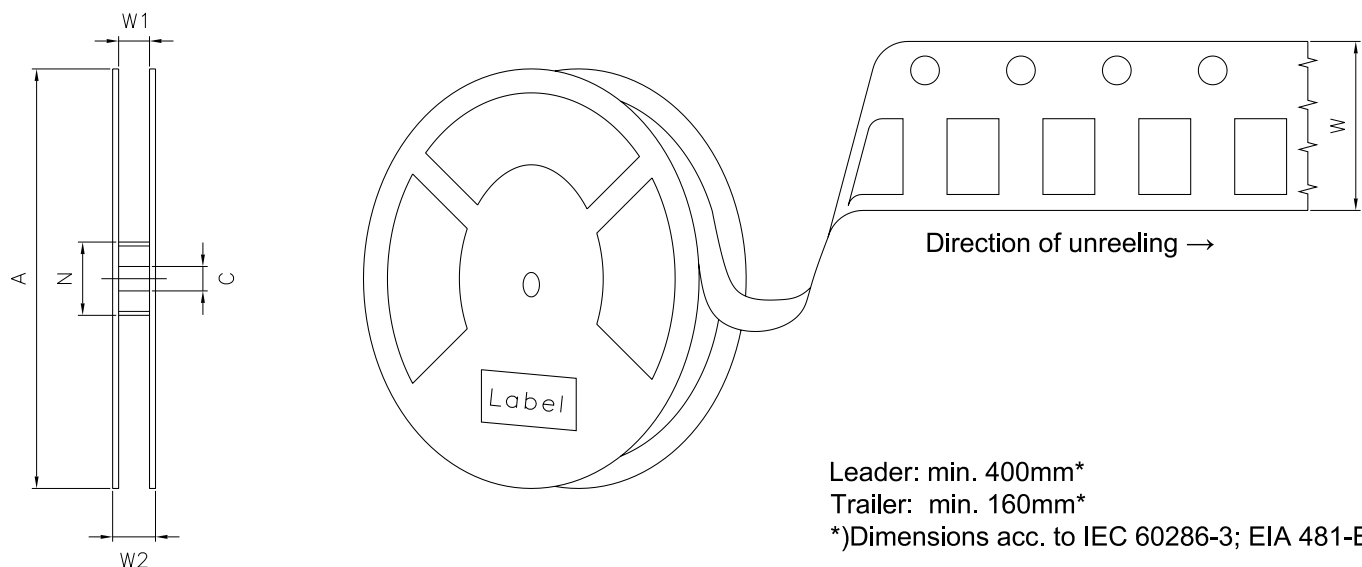
All temperatures refer to the center of the package, measured on the top of the component
¹⁾ slope calculation DT/Dt: Dt max. 5 s; fulfillment for the whole T-range
²⁾ One time reflow soldering only.

Taping ⁷⁾



C67062-A0404-B1-01

Tape and Reel ⁸⁾



Reel Dimensions

A	W	N _{min}	W ₁	W _{2 max}	Pieces per PU
180 mm	16 + 0.3 / - 0.1 mm	60/100 mm	16.4 + 2 mm	22.4 mm	500

Barcode-Product-Label (BPL)



OSRAM Opto Semiconductors LX XXXX BIN1: XX-XX-X-XXX-X

RoHS Compliant

(6P) BATCH NO: 1234567890 ML Temp ST
X XXX °C X

(1T) LOT NO: 1234567890 (9D) D/C: 1234

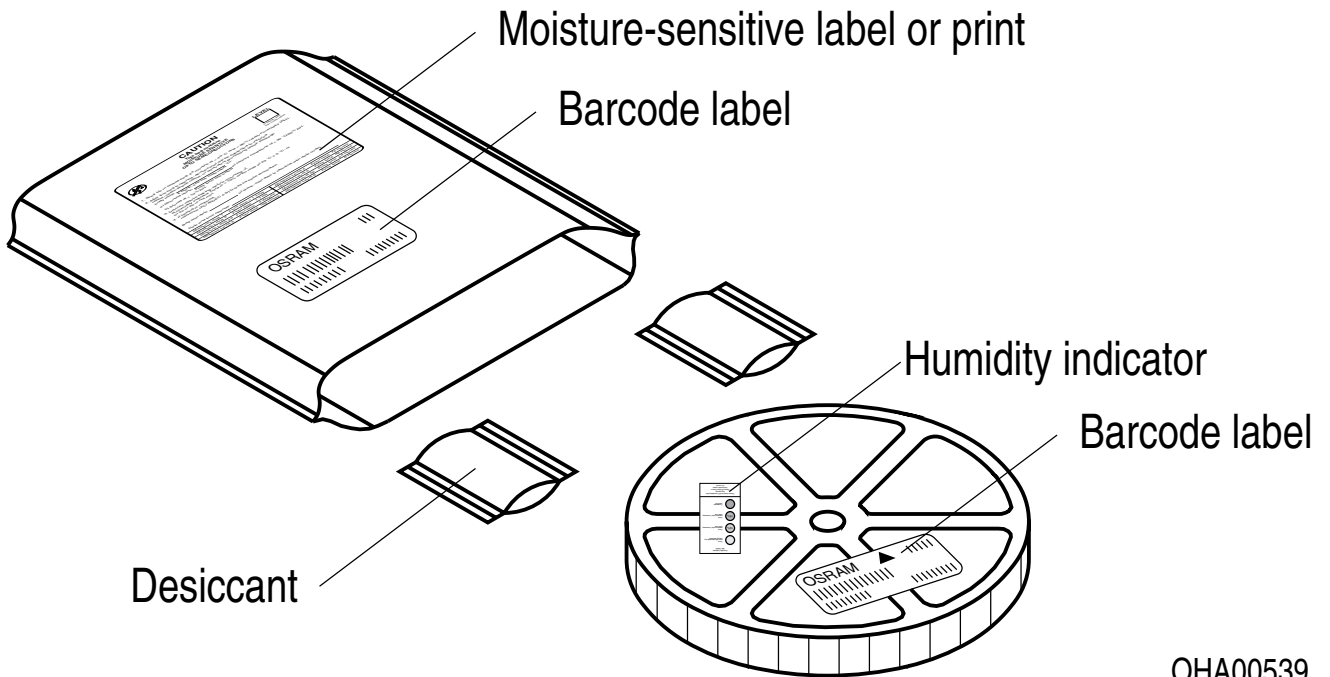
Pack: RXX
DEMY XXX
X_X123_1234.1234 X

(X) PROD NO: 123456789(Q)QTY: 9999 (G) GROUP: XX-XX-X-X

OHA04563

Dry Packing Process and Materials ⁷⁾



OHA00539

Moisture-sensitive product is packed in a dry bag containing desiccant and a humidity card according JEDEC-STD-033.

Cautions:

- Refer to JEDEC Moisture Sensitivity Level 5 in JEDEC-STD-033 for storage and packaging requirement.
- LEDs should be stored at or below 30°C and at an RH of 60% or lower. This LED has a floor life of 48 hours, once opened from its original packaging
- If only a partial reel is used, the reel should be packaged, with silica-gel desiccants, and sealed within an hour of opening the bag.
- Baking of LEDs is required per JEDEC J-STD-033 prior to soldering if LEDs are left open, exceeding floor life mentioned above.
- If LED packages exceed the storage limiting time since opened, recommend baking the LED according to JEDEC J-STD-033 prior to soldering.
- Packing materials, including Tapes, Reels, Trays, and Tubes, can only withstand temperatures up to 50°C. Exceeding this temperature limit can cause them to deform.

Notes

The evaluation of eye safety occurs according to the standard IEC 62471:2006 (photo biological safety of lamps and lamp systems). Within the risk grouping system of this IEC standard, the device specified in this data sheet falls into **high risk group – RG 3**. WARNING - UV emitted from this product. Avoid eye and skin contact to unshielded product.

Subcomponents of this device contain, in addition to other substances, metal filled materials including silver. Metal filled materials can be affected by environments that contain traces of aggressive substances. Therefore, we recommend that customers minimize device exposure to aggressive substances during storage, production, and use. Devices that showed visible discoloration when tested using the described tests above did show no performance deviations within failure limits during the stated test duration. Respective failure limits are described in the IEC60810.

For further application related information please visit www.osram-os.com/appnotes

Disclaimer

Attention please!

The information describes the type of component and shall not be considered as assured characteristics. Terms of delivery and rights to change design reserved. Due to technical requirements components may contain dangerous substances.

For information on the types in question please contact our Sales Organization.

If printed or downloaded, please find the latest version on our website.

Packing

Please use the recycling operators known to you. We can also help you – get in touch with your nearest sales office. By agreement we will take packing material back, if it is sorted. You must bear the costs of transport. For packing material that is returned to us unsorted or which we are not obliged to accept, we shall have to invoice you for any costs incurred.

Product and functional safety devices/applications or medical devices/applications

Our components are not developed, constructed or tested for the application as safety relevant component or for the application in medical devices.

Our products are not qualified at module and system level for such application.

An entire (100%) testing shall be performed after assembly of our product to the final product. Our products are not qualified at module and system level for such application. Customer is fully responsible and accountable for detection capability in case of sudden changes in electro-optical characteristics at component level.

In case buyer – or customer supplied by buyer – considers using our components in product safety devices/applications or medical devices/applications, buyer and/or customer has to inform our local sales partner immediately and we and buyer and/or customer will analyze and coordinate the customer-specific request between us and buyer and/or customer.

Please carefully read the below instructions.

WARNING: Each user bears full responsibility for making their own determination as to the suitability of our products, recommendations or advice for its own end use. Each user must identify and perform all tests and analyses necessary to ensure that its finished application incorporating our products will be safe and suitable for use under end-use conditions. We make no warranty or guarantee, express or implied, as to results obtained in end-use, nor of any design incorporating its products, recommendations or advice.

WARNING: High intensity ultraviolet-C (UV-C) radiation is emitted from this product, which is harmful to skin and eyes. Take appropriate protective measures to avoid any exposure to direct or reflected UV-C radiation.

WARNING: During operating lifetime of our UV-C product different aging mechanisms can cause failures. This may lead to a significant deviation of the function in the final product and application. Please contact us in advance for further information.

Glossary

- 1) **Brightness:** Brightness groups are tested at a current pulse duration of 10 ms and a tolerance of $\pm 10\%$.
- 2) **Peak Wavelength:** Wavelengths are tested at a current pulse duration of 10 ms and a tolerance of ± 3 nm.
- 3) **Forward Voltage:** Forward voltages are tested at a current pulse duration of 1 ms and a tolerance of $\pm 3\%$.
- 4) **Thermal Resistance:** $R_{th\ max}$ is based on statistic values (6σ).
- 5) **Typical Values:** Due to the special conditions of the manufacturing processes of semiconductor devices, the typical data or calculated correlations of technical parameters can only reflect statistical figures. These do not necessarily correspond to the actual parameters of each single product, which could differ from the typical data and calculated correlations or the typical characteristic line. If requested, e.g. because of technical improvements, these typ. data will be changed without any further notice.
- 6) **Characteristic curve:** In the range where the line of the graph is broken, you must expect higher differences between single devices within one packing unit.
- 7) **Tolerance of Measure:** Unless otherwise noted in drawing, tolerances are specified with ± 0.1 and dimensions are specified in mm.
- 8) **Tape and Reel:** All dimensions and tolerances are specified acc. IEC 60286-3 and specified in mm.

Revision History

Version	Date	Change
1.0	2022-05-10	Initial Version



EU RoHS and China RoHS compliant product

此产品符合欧盟 RoHS 指令的要求；
按照中国的相关法规和标准，
不含有毒有害物质或元素。

Published by ams-OSRAM AG

Tobelbader Strasse 30, 8141 Premstaetten, Austria

Phone +43 3136 500-0

ams-osram.com

© All rights reserved

am 

OSRAM

X-ON Electronics

Largest Supplier of Electrical and Electronic Components

Click to view similar products for [High Power LEDs - Single Colour](#) category:

Click to view products by [Osram](#) manufacturer:

Other Similar products are found below :

[L135-L567003500000](#) [L1CU-VLT1000000000](#) [KY DDLM31.23-8F5H-36-C4U4-140-R18](#) [KR DDLM31.23-5G7H-25-C4U4-140-R18](#) [KT DDLM31.13-6H7J-36-W4A4-140-R18](#) [KS DDLM31.23-8E6G-68-C4U4-140-R18](#) [KB DDLM31.13-6D7E-25-24A4-140-R18](#) [GT CS8PM1.13-LSLU-26-1-350-B-R18](#) [GR CS8PM1.23-KQKS-1](#) [GH CS8PM1.24-4T2U-1-0-350-R33](#) [GT CSHPM1.13-LSLU-26-1-350-B-R18](#) [AA2810AVBS/D](#) [KT CSLNM1.13-MXMZ-34-0](#) [KT DELQS1.12-TIVH-36-S446-10-S](#) [LZ4-V0UB0R-00U4](#) [LZ4-00UB0R-00U4](#) [XPEBRY-L1-0000-00S02](#) [XQEAPA-00-0000-000000701](#) [XQEBLU-00-0000-000000Z02](#) [SPHWH2L3D30ED4V0H3](#) [XQEBLU-00-0000-000000202](#) [LUWCQ7P-LPLR-5E8G-1-K](#) [ASMT-QHBD-AFH0E](#) [ASMT-AA00-ARS00](#) [ASMT-JR30-ARS01](#) [ASMT-QABD-AEF0E](#) [LZ1-00R100-0000](#) [GY CS8PM1.23-KQKS-36](#) [GH CSSPM1.24-4T2U-1](#) [GDCSSPM1.14-UNUO-W4-1](#) [GYCSHPM1.23-KPKR-36](#) [KY DMLQ31.23-HYKX-46-J3T](#) [KY DMLN31.23-GYJX-46-J3T3](#) [L1SP-DRD0002000000](#) [L1SP-LME0002000000](#) [LHUV-0405-A065](#) [LTPL-C034UVH410](#) [XPGDRY-L1-0000-00601-SB01](#) [XQEGRN-H0-0000-000000901](#) [XPEEPR-L1-0000-00B01](#) [XPEEPR-L1-0000-00A01](#) [XPGDRY-L1-0000-00501](#) [XPGDRY-L1-0000-00401](#) [XQEEPR-00-0000-000000901](#) [XQEEPR-00-0000-000000A01](#) [15335340AA350](#) [XPCRDO-L1-R250-00701](#) [XPEBGR-L1-0000-00D03](#) [XPEGRN-L1-0000-00F02](#) [XRCRDO-L1-R250-00K03](#)