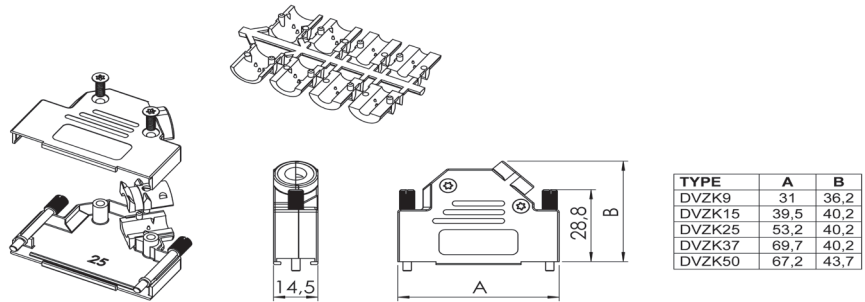
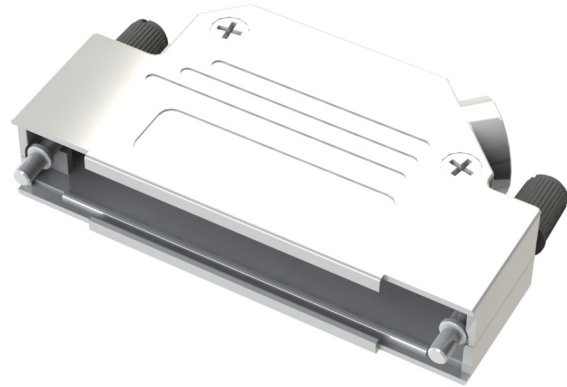


Shielded D-Sub Backshells DVZK Series

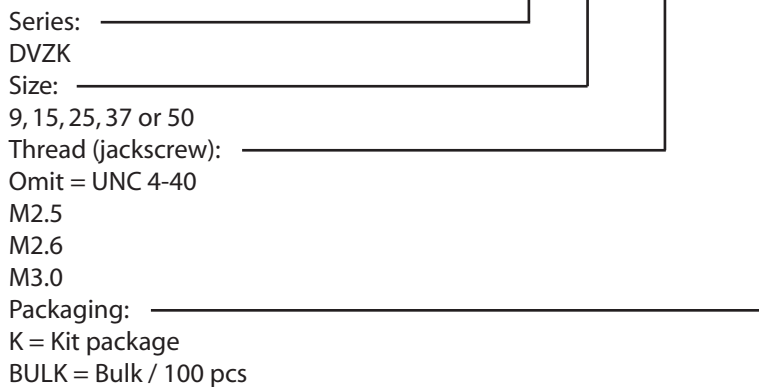
TECHNICAL SPECIFICATIONS

| | |
|----------------------|--|
| Material: | Zinc, Ni-plated |
| Temp. range: | -40°C - 120°C |
| Cable strain relief: | Polycarbonate PC UL94 V-0 |
| Cable diameter: | 3.0 - 13.0 mm |
| Locking screws: | Long jackscrews with moulded top for colour coding |
| Assembly screws: | Taptite threadforming |
| Cable outlet: | Angled |
| Attenuation factor: | > 40 dB between 30 MHz and 1 GHz |



PART NUMBERING SYSTEM

DVZK15 - - BULK



FEATURES

- Available in sizes 9, 15, 25, 37 and 50
- Minimise interference from electromagnetic and RF sources
- Non-static parts avoid ESD problems
- Accept round foil and braided cable types
- Approved according VDE 0871, FCC 20780 and 89/336/EU
- Printed logotype available upon request
- Long jackscrews with UNC 4-40 thread as standard, M2.5, M2.6 or M3.0 as option
- For custom designed solutions, please consult factory

X-ON Electronics

Largest Supplier of Electrical and Electronic Components

Click to view similar products for [OSSI manufacturer](#):

Other Similar products are found below :

[D-JSS-32-M3.0](#) [DTNMK9-K](#) [SLCLIP-25-KIT](#) [DJF-8-3-4-K](#) [D-JSS-NH-32-M3.0](#) [DVZK37-BULK/50](#) [DVZK9-BULK/50](#) [DSZK9-K](#)
[DVZK15-K](#) [DMVZK9-K](#) [DTZK15-BULK/50](#) [DTZK15-K](#) [DTZK25-K](#) [DTZK9-K](#)