

# SEALED BASIC SWITCH WITH LEVERS

**B3S-5**  
SEALED BASIC SWITCHES

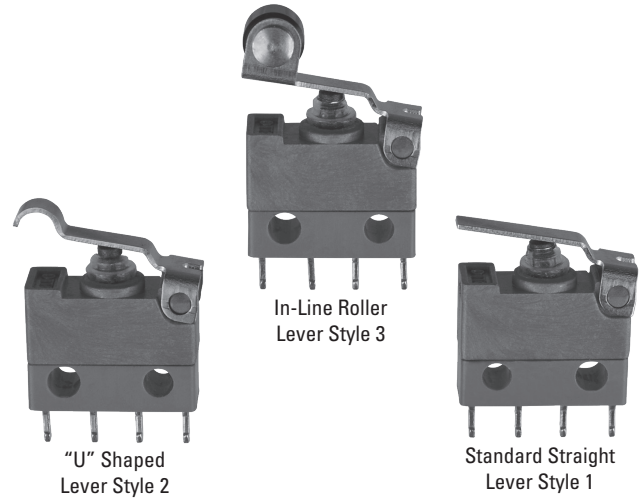
SEALED, DOUBLE BREAK, SNAP-ACTION, SUBMINIATURE, INTEGRAL LEVERS

The B3S-5 sealed, subminiature basic switch is made with an integral actuating lever, combining the switch and actuator into one assembly. Sealed to IP68S, the snap-action switch is tested to 1 million cycles at logic level, offering reliable operation in demanding applications and precision in terms of accuracy and repeatability.

The B3S-5 subminiature switch is designed for use in places where space is limited, including internally within toggle, pushbutton and limit switches. It works well in the aerospace, industrial and material handling markets for applications such as conveyor belts, forklifts, ON/OFF switches, door latching mechanisms, fire suppression systems, and timing devices.

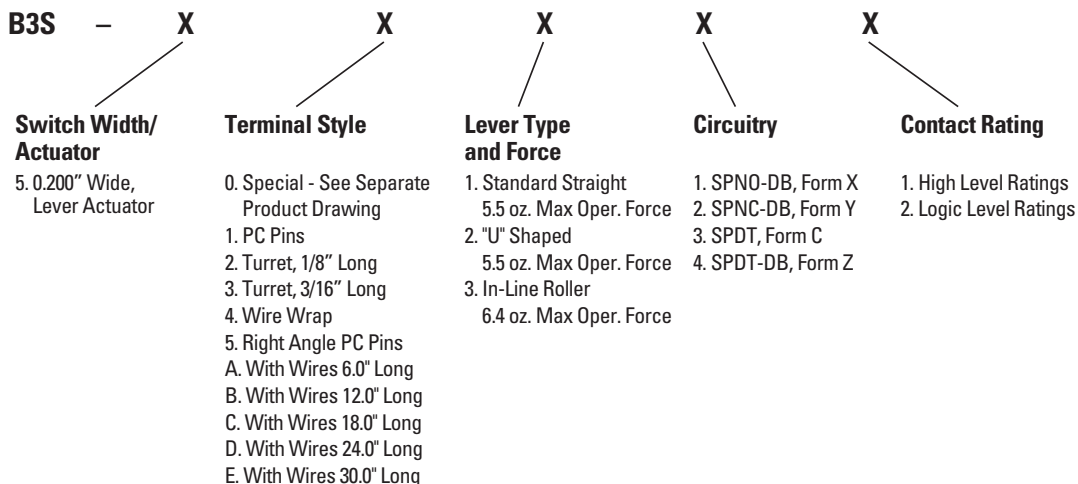
## Features:

- Integral Lever Actuators
- Sealed to IP68S
- Double break circuit
- Logic level switching option tested to 1 million electrical cycles
- 0.200" switch width
- Choice of 11 standard terminal styles or wire leads
- RoHS compliant



B3S-5 Standard Characteristics/Ratings:			
<b>ELECTRICAL RATINGS:</b>		Sea Level @ 28VDC	
Rating	Load	Current	Life Cycles
High Level N.C. or N.O. Form X or Y	Resistive	8A	50,000
High Level SPDT Form C or Z	Resistive	5A	50,000
Logic Level @ 5VDC	Resistive	10mA	1,000,000
DVV	1000Vrms		
<b>Mechanical Life:</b>	1,000,000 cycles		
<b>Seal:</b>	IP68S		
<b>Operating Temp Range:</b>	-40°C to +85°C		
<b>Operating Force:</b>	See Part Number		
<b>MATERIALS:</b>			
<b>Cover:</b>	Blue Thermoplastic		
<b>Case:</b>	Blue Thermoset		
<b>Boot:</b>	Silicone Rubber		

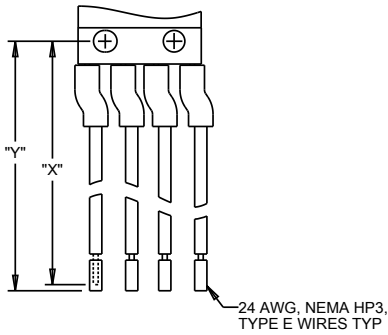
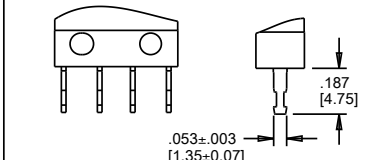
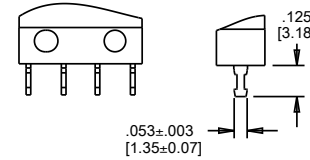
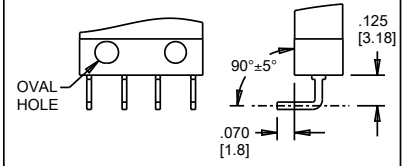
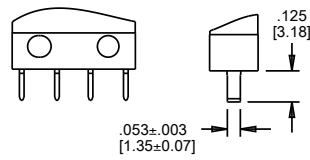
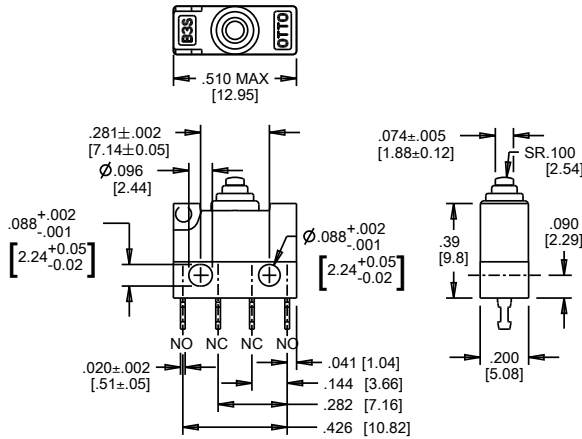
## B3S- 5 PART NUMBER CODE



SEALED, DOUBLE BREAK, SNAP-ACTION, SUBMINIATURE, INTEGRAL LEVERS

### BASIC SWITCH DIMENSIONS

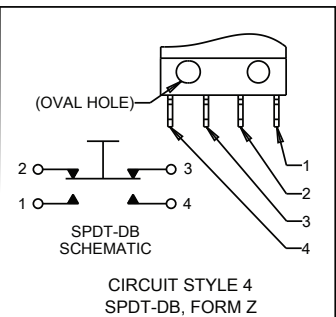
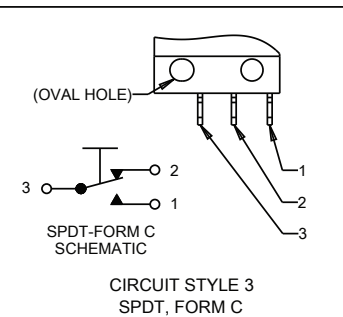
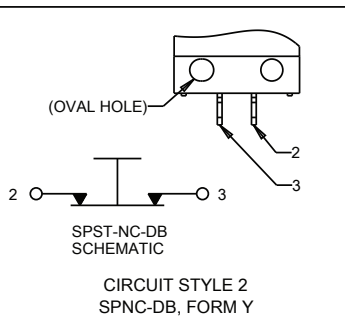
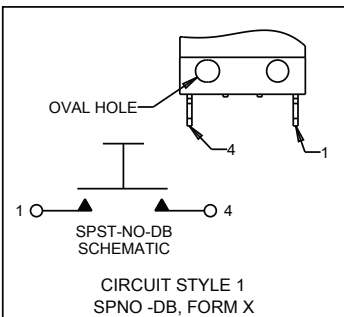
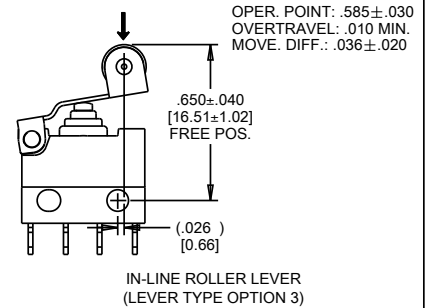
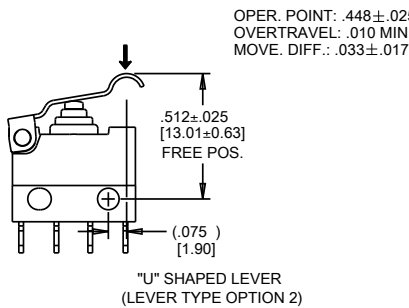
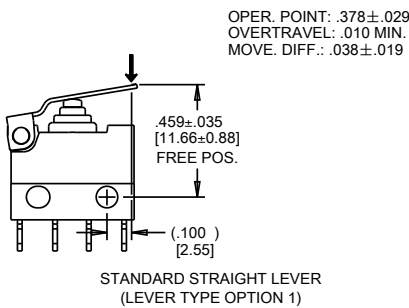
(APPLIES TO ALL SWITCHES IN THIS DRAWING)



TERMINAL NO.	WIRE COLOR
1	BROWN
2	YELLOW
3	RED
4	BLUE

WIRE LENGTH CODE	DIM. "X"	DIM. "Y"
A	6.00±.38 [152.4±9.7]	6.09±.38 [154.7±9.7]
B	12.00±.50 [304.8±12.7]	12.09±.50 [307.1±12.7]
C	18.00±.50 [457.2±12.7]	18.09±.50 [459.5±12.7]
D	24.00±.50 [609.6±12.7]	24.09±.50 [611.9±12.7]
E	30.00±.75 [762.0±19.05]	30.09±.75 [764.3±19.05]

WIRE LENGTH FOR A, B, C, D, & E



## X-ON Electronics

Largest Supplier of Electrical and Electronic Components

*Click to view similar products for [Basic / Snap Action Switches](#) category:*

*Click to view products by [OTTO](#) manufacturer:*

Other Similar products are found below :

[5SM901-S12](#) [5SM9-S12N195](#) [602EN532](#) [602EN535-RB](#) [602HE5-RB1](#) [604HE162](#) [604HE223-6B](#) [624HE17-RB](#) [6HM82](#) [6HM89](#) [6SE1](#)  
[6SX1-H58](#) [70500216](#) [70599106](#) [MBD5B1](#) [MBH2731](#) [73-316-0012](#) [EXD-AR20](#) [79211923](#) [79218589](#) [7AS12](#)  
[MIL30126AB6BBMD4A12XAU](#) [ML-1155](#) [ML-1376](#) [831010C3.0](#) [831090C2.EL](#) [83131904](#) [8AS239](#) [8HM73-3](#) [8SX26-H33](#) [914CE1-6G](#)  
[PL-100](#) [11SM1077-H4](#) [11SM1077-H58](#) [11SM1-TN107](#) [11SM405](#) [11SM8423-H2](#) [11SX37-T](#) [11SX48-H58](#) [11SM2442-T](#) [11SM76-T](#)  
[11SM77-H58](#) [11SM77-T](#) [11SM863-T](#) [11SM866](#) [A7CN-1M-1-LEFT](#) [A831700C7.0](#) [121EN187-R](#) [121EN188-R](#) [1245.0120](#)