

DOUBLE BREAK, SNAP-ACTION COMMERCIAL & MILITARY GRADES, MINIATURE

B5 series basic switches are miniature in size and feature up to 10 amps switching capability of 100,000 cycles. Mechanical life is one million cycles.

The molded housing is rugged and structurally stable. The terminals are sealed against solder flux entering the switch and are bright acid tin plated for excellent solderability.



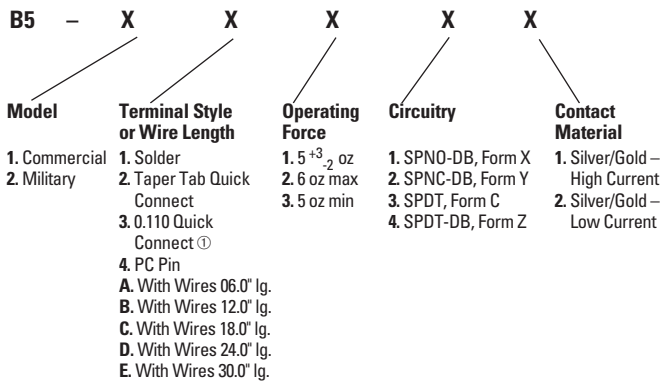
Solder
Terminal Style



Features:

- Up to 10 amps switching capability
- High contact pressure
- Precision operating points
- Button accepts actuation directly from cam
- Constructed in accordance with MIL-PRF-8805/7
- Available in Commercial & Military grades
- Choice of four standard terminal styles or wire leads
- UL recognized & CSA certified
- B5-21141 qualified to MS27217-1
- RoHS/WEEE/Reach compliant

B5 PART NUMBER CODE



① Mates with AMP Series 110 receptacles.

Standard Characteristics/Ratings:

ELECTRICAL RATINGS:

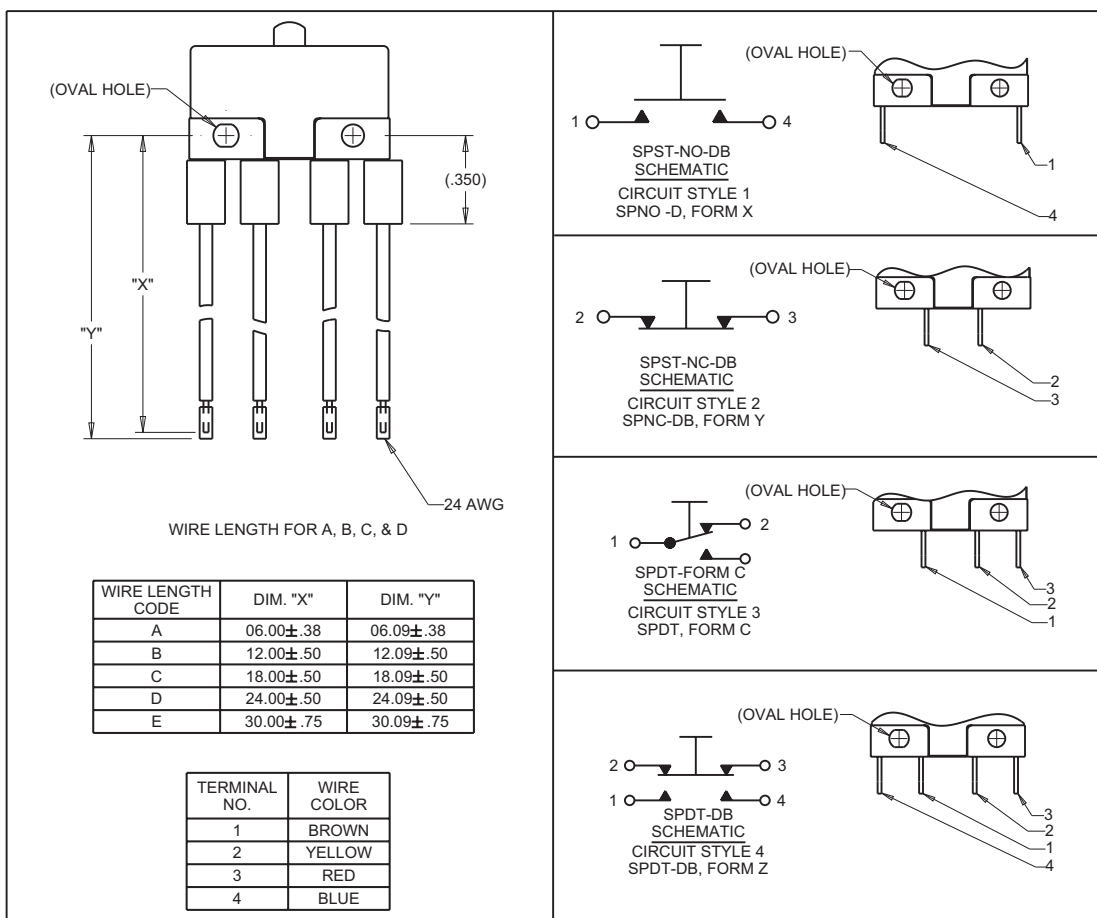
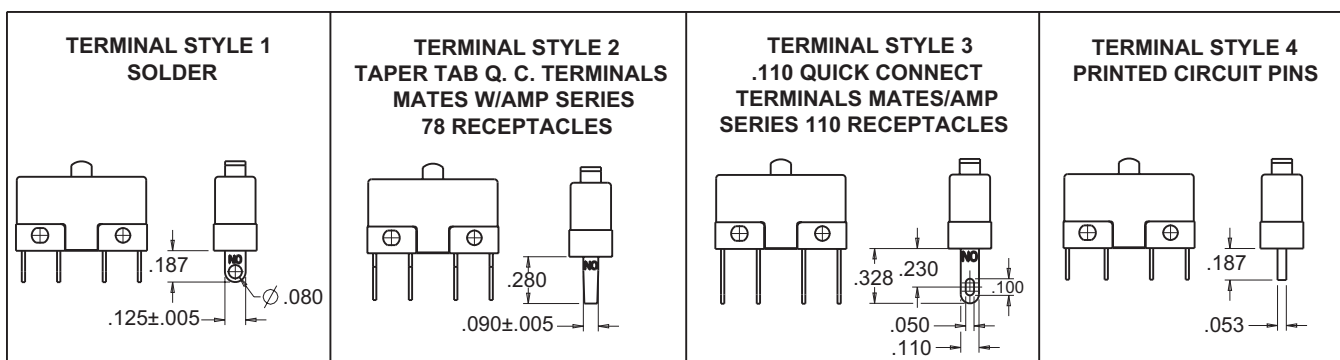
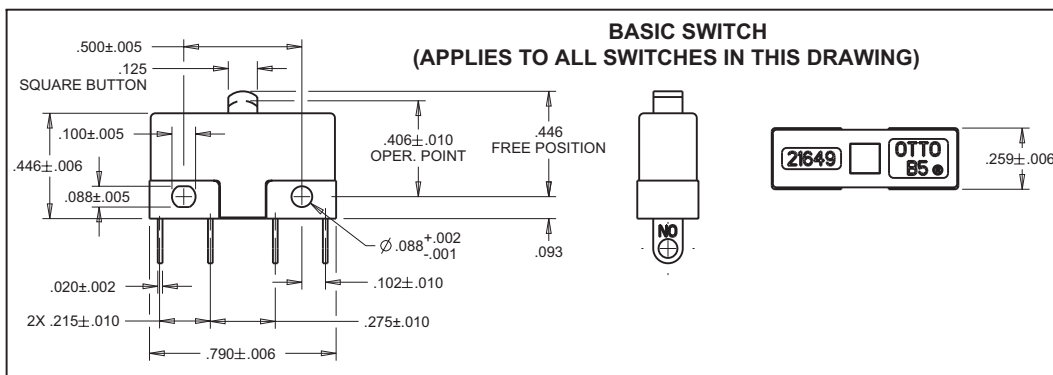
Circuitry	Load	Sea Level @ 28VDC	70,000 feet @ 28VDC	Sea Level @ 115VAC, 60Hz
SPNO-DB & SPNC-DB	Resistive	10A	10A	10.1A
	Inductive*	7.5A	3.5A	5A
	Lamp	1A	N/A	3A
SPDT-DB	Resistive	10A	10A	10.1A
2 Circuit	Inductive*	5A	2A	5A
	Lamp	3A	N/A	1.5A
SPDT	Resistive	10A	10A	10.1A
	Inductive*	3A	1.5A	N/A
	Lamp	3A	N/A	N/A

*L/R = 0.026

DVV	1000Vrms	400Vrms
Electrical Life:	100,000 cycles	
Mechanical Life:	1,000,000 cycles	
Seal:	Unsealed	
Operating Temp Range:	-65°C to +125°C	
Operating Force:	5 oz, +3/-2 oz or 6 oz max or 3 oz min	
Release Force:	2 oz min	
Operate Point:	0.406 +/- 0.010 inches from mounting holes	
Overtravel:	0.012 inches min	
Movement Differential:	0.020 +/- 0.005 inches	
Pretravel:	0.050 inches max	
MATERIALS:		
Case:	Thermoset, blue	
Cover:	Thermoset, blue	
Button:	Thermoplastic, black	
Terminals:	Brass with bright acid tin plating	
Contacts:	Stationary: Silver with gold Moveable: Silver with gold	
Terminal Hardware:	None provided, optional wires	
Mounting Hardware:	None provided	

MINIATURE BASIC SWITCHES

DOUBLE BREAK, SNAP-ACTION COMMERCIAL & MILITARY GRADES, MINIATURE



X-ON Electronics

Largest Supplier of Electrical and Electronic Components

Click to view similar products for [Basic / Snap Action Switches](#) category:

Click to view products by [OTTO](#) manufacturer:

Other Similar products are found below :

[5SM901-S12](#) [5SM9-S12N195](#) [602EN532](#) [602EN535-RB](#) [602HE5-RB1](#) [604HE162](#) [604HE223-6B](#) [624HE17-RB](#) [6HM82](#) [6HM89](#) [6SE1](#)
[6SX1-H58](#) [70500216](#) [70599106](#) [MBD5B1](#) [MBH2731](#) [73-316-0012](#) [EXD-AR20](#) [79211923](#) [79218589](#) [7AS12](#)
[MIL30126AB6BBMD4A12XAU](#) [ML-1155](#) [ML-1376](#) [831010C3.0](#) [831090C2.EL](#) [83131904](#) [84212012](#) [8AS239](#) [8HM73-3](#) [8SX26-H33](#)
[914CE1-6G](#) [PL-100](#) [11SM1077-H4](#) [11SM1077-H58](#) [11SM1-TN107](#) [11SM405](#) [11SM8423-H2](#) [11SX37-T](#) [11SX48-H58](#) [11SM2442-T](#)
[11SM76-T](#) [11SM77-H58](#) [11SM77-T](#) [11SM863-T](#) [11SM866](#) [A7CN-1M-1-LEFT](#) [A831700C7.0](#) [121EN188-R](#) [1245.0120](#)