

NOTES:

1. DRAWING TO BE INTERPRETED IN ACCORDANCE WITH THE CURRENT REVISION OF ASME Y14.5
3. TSI TO BE INTERPRETED AS THEORETICAL SHARP INTERSECTION.
4. THIS PART IS TO BE MANUFACTURED IN ACCORDANCE WITH THE LATEST APPLICABLE REGULATIONS OF EC DIRECTIVES FOR THE RESTRICTION OF THE USE OF HAZARDOUS SUBSTANCES IN ELECTRICAL AND ELECTRONIC EQUIPMENT (ROHS), WASTE ELECTRICAL AND ELECTRONIC EQUIPMENT (WEEE) AND REGISTRATION, EVALUATION, AUTHORIZATION AND RESTRICTION OF CHEMICALS (REACH).
4. PACKAGING REQUIREMENTS: ONE ITEM PER BAG.

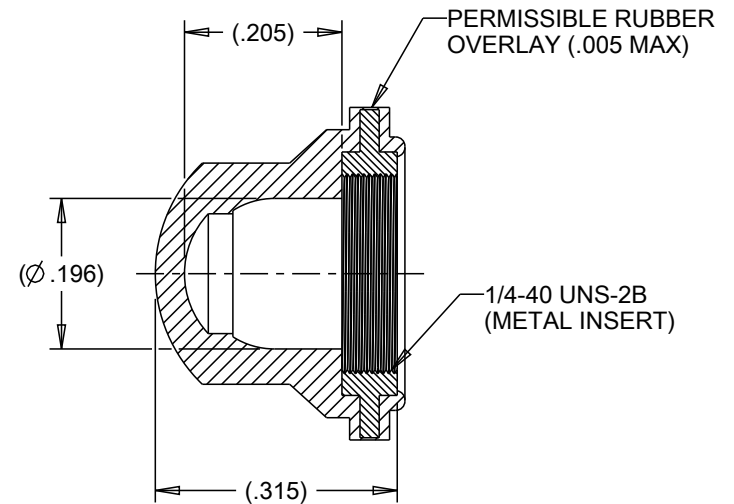
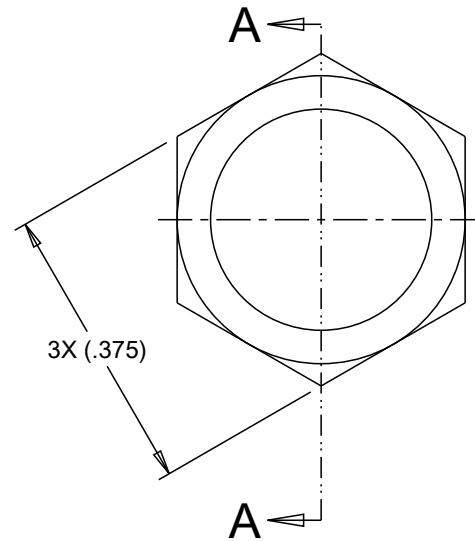


SCALE 1:1

C800938

REV	OCN #	DATE	APR
A	086556	23 MAY 17	TAO

OTTO P/N:	COLOR
C800938-1	RED
C800938-2	BLACK



SECTION A-A

■ KEY CHARACTERISTICS

Ⓢ SPECIAL REQUIREMENTS

PROCESS:	MATERIAL:
.	.
.	.
.	.



DESCRIPTION			
SEALING BOOT, SILICONE FOR PUSHBUTTON SWITCH			

UNLESS OTHERWISE SPECIFIED: DIMENSIONS ARE IN INCHES. TOLERANCES ARE AS LISTED. MUST BE FREE FROM BURRS AND SHARP EDGES.	TOLERANCES .XX ± .01 .XXX ± .005 ANGLES ± 1° SURFACES 64 MICROINCH DO NOT SCALE DRAWING.	THIS DOCUMENT IS THE CONFIDENTIAL PROPERTY OF OTTO ENGINEERING, INC.. IT IS NOT TO BE USED IN ANY WAY DETRIMENTAL TO THE INTERESTS OF OTTO ENGINEERING, INC..	DRWN. ORG	SIZE	FSCM NO	DRAWING NO.	REV.
			CHKD. ORG	A	21649	C800938	A
WT.			THIRD ANGLE PROJECTION		Scale 4:1	Sheet 1 OF 1	

X-ON Electronics

Largest Supplier of Electrical and Electronic Components

Click to view similar products for [Switch Fixings](#) category:

Click to view products by [OTTO](#) manufacturer:

Other Similar products are found below :

[893102000](#) [00-5150](#) [LZZ1A](#) [0098.9234](#) [61-9451.0](#) [M2PA-5011](#) [630155](#) [635401](#) [6PA113](#) [6PA147-E6](#) [6PA148-E6](#) [6PA32](#) [6PA9](#) [700109](#)
[700303A56](#) [700C1GRY](#) [700C2GRN](#) [704-6001](#) [704.960.9](#) [704.965.2](#) [704.965.6](#) [704.966.0](#) [7089-3](#) [710082-B11](#) [71M1048](#) [757200264](#)
[764300000](#) [MHU35](#) [MHU37](#) [807039-1](#) [825.003.011](#) [825.005.011](#) [825.053.011](#) [825.055.011](#) [826.000.071](#) [827.020.011](#) [827.400.021](#)
[835.900.023](#) [MML52C10C](#) [MML52E10C](#) [MML92HGH](#) [MML93K](#) [84211M02CNNS](#) [84212M02CNNS](#) [84217A8.0LNOS](#) [842.500.011](#)
[843.000.011](#) [843187-000](#) [843487-000](#) [84-901](#)