

G3-D CONTROL GRIP

The rugged, ergonomically designed G3-D Control Grip can be configured with a rocker switch or a pushbutton at the top of the grip handle, and an operator presence trigger switch to help prevent inadvertent actuation. Top mount and bottom mount are both available as standard offerings.

The G3-D grip can be assembled with OTTO's JHM joystick, providing a variety of gating options including single axis, dual axis, friction held and omni-directional. Output choices include analog, PWM, USB, CANopen and CANbus.

The G3-D Control Grip works well in industrial, agricultural, mining, utility and construction applications such as aerial work platforms, scissor lifts, bucket trucks, telehandlers, trenchers and track trucks.



Top Mount G3-D with Rocker Switch and Operator Presence

Features:

- Operator Presence Option
- Rocker or pushbutton switch options for the top of the handle
- Switches sealed to IP68S
- Top mount or bottom mount
- Can be assembled with an OTTO JHM joystick
- RoHS compliant



G3-D with Rocker Switch, Operator Presence and Top Mount JHM Joystick



G3-D with Pushbutton and Bottom Mount JHM Joystick

Standard Characteristics/Ratings:				
ELECTRICAL RATINGS:				
P9 Switches				
Electrical Rating @ 28 VDC	50mA Resistive Load			
Electrical Life	1,000,000 Cycles			
MECHANICAL RATINGS				
P9 Switches				
Mechanical Life	1,000,000 Cycles			
ENVIRONMENTAL:				
Operating Temperature:	Units	Min	Typ	Max
	° C	-40	20	85
P9 Switches				
Enclosure Design	ISO 20653, IP68S - Dusttight, Continuous Immersion, 1 Meter For 31 Minutes, Static During Test(s)			
Grip				
Enclosure Design	ISO 20653, IP65 - Dusttight, Water Jets, Static During Test(s)			
MATERIALS:				
Grip Halves, Faceplate	Thermoplastic, Glass Reinforced, Black			
Lever, Rocker	Thermoplastic, Unfilled, Black			
Boot	Elastomer, 40 Durometer, Black			

G3-D PART NUMBER CODE

G3-D X
Mounting

1. Top Mount
2. Bottom Mount

XX
Configuration

11. Rocker (ON)-OFF-(ON) and Operator Presence
22. Rocker (ON)-OFF-(ON) and No Operator Presence
33. One Pushbutton and Operator Presence
44. One Pushbutton and No Operator Presence
55. No Pushbutton, No Rocker and Operator Presence
66. No Pushbutton, No Rocker and No Operator Presence

X X
PB Switch Configuration Termination

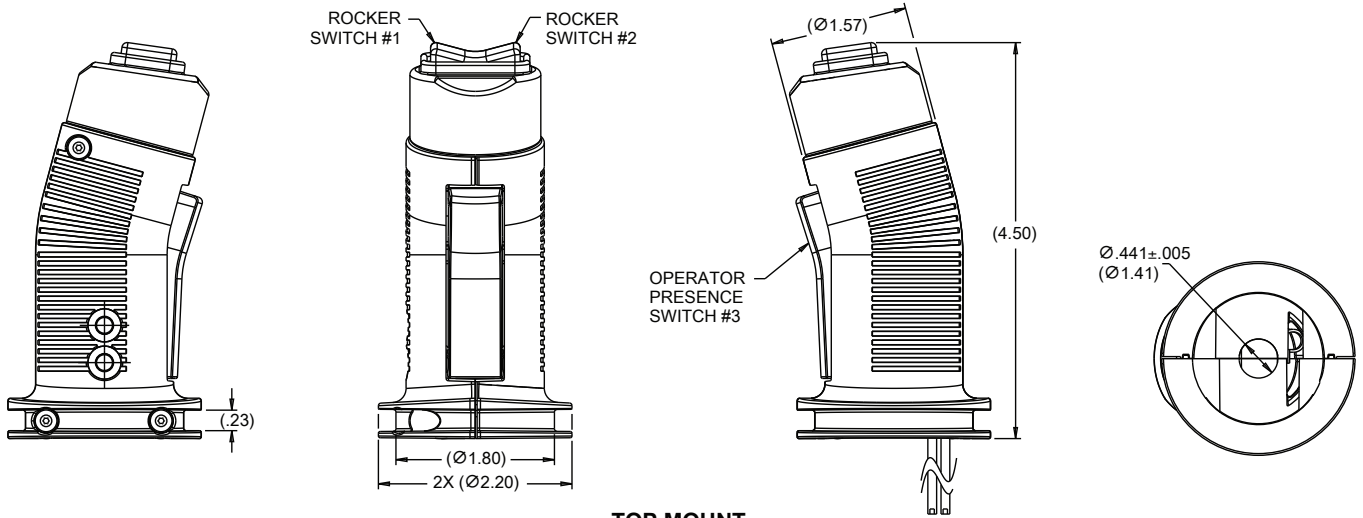
1. None
2. Normally Open (NO)
3. 2 Circuit (NO/NC)*
4. 2 Circuit (NO/NC)**

1. 20" Flying Leads 22 AWG

* for options 11 (Operator Presence), 44, 55

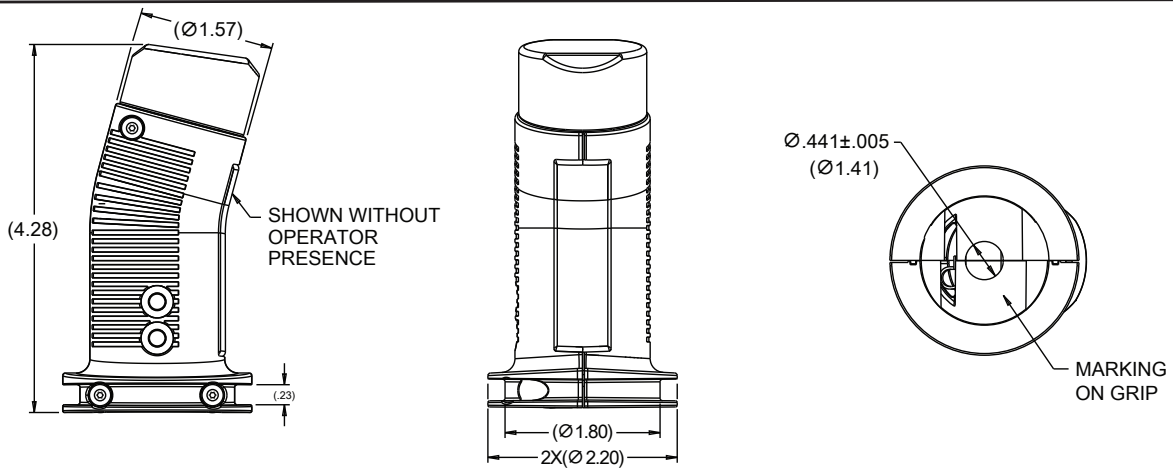
** for option 33

HEAVY EQUIPMENT AND MATERIAL HANDLING GRIPS



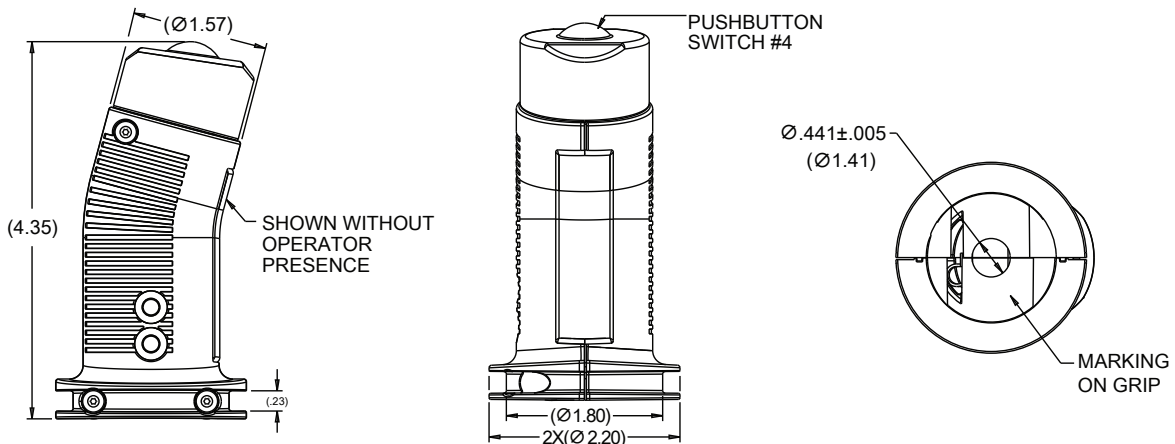
**TOP MOUNT
ROCKER AND OPERATOR PRESENCE CONFIGURATION**

Wires not shown in all views for clarity



**TOP MOUNT
NO SWITCHES CONFIGURATION**

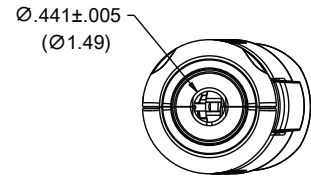
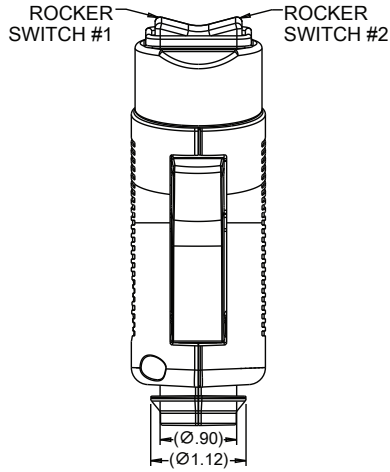
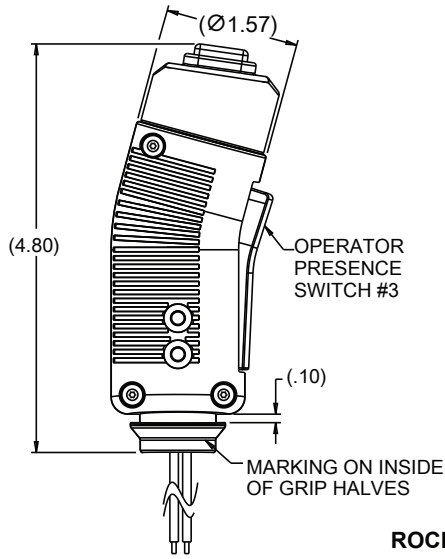
Wires not shown for clarity



**TOP MOUNT
ONE PUSHBUTTON CONFIGURATION**

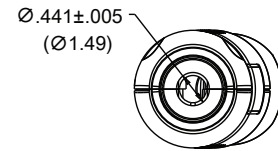
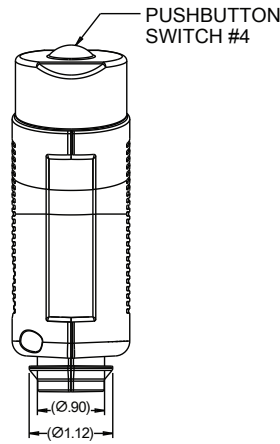
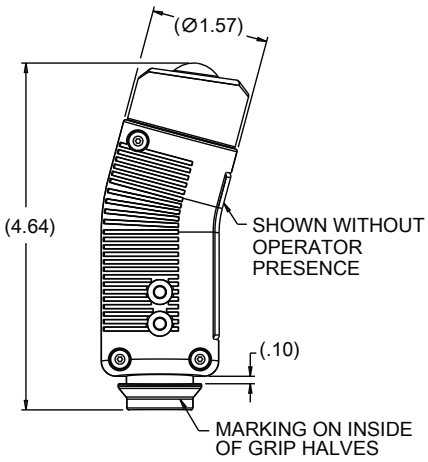
Wires not shown for clarity

HEAVY EQUIPMENT AND MATERIAL HANDLING GRIPS



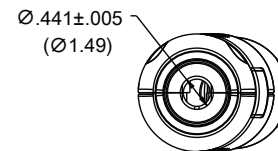
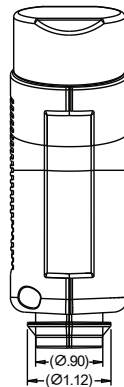
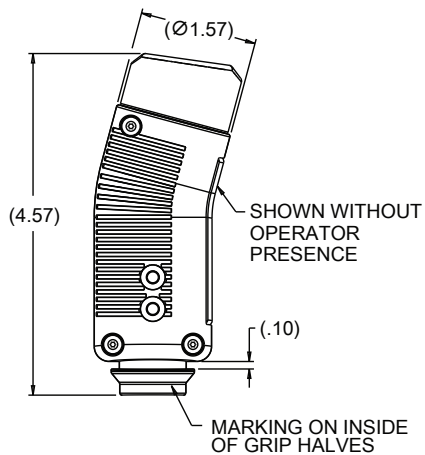
**BOTTOM MOUNT
ROCKER AND OPERATOR PRESENCE CONFIGURATION**

Wires not shown in all views for clarity



**BOTTOM MOUNT
ONE PUSHBUTTON CONFIGURATION**

Wires not shown for clarity



**BOTTOM MOUNT
NO SWITCHES CONFIGURATION**

Wires not shown for clarity

X-ON Electronics

Largest Supplier of Electrical and Electronic Components

Click to view similar products for [Joysticks](#) category:

Click to view products by [OTTO](#) manufacturer:

Other Similar products are found below :

[M11L0A1](#) [C10O0C1P](#) [JOY-THUMB](#) [S10L0A1M](#) [G3-A1AM151NNNN](#) [TH500P00D4](#) [C10O0C1PMJ0](#) [S10L061J](#) [60C22-M7-4-020S](#) [67A-DF-3C-060C](#) [60A00-8-050C](#) [60A00-4-050C](#) [60C22-M7-4-040S](#) [G3-0425](#) [S30L081F50](#) [3440SAT6476](#) [60A18-4-090C](#) [S30L081J](#)
[M11L001C](#) [M11L0X1P](#) [USBM31Q081RMJ4S](#) [USBC20O051JMJS](#) [TW08BLK12](#) [S30L0M1CSJBLK](#) [HF11R11](#) [HG-44MIS000-2654](#) [HG-44MIS000-U-2655](#) [4P182F1E55475](#) [TS4A1S00A](#) [BD140D01GR0000](#) [BD150SD4BL1200](#) [3140SAL6475](#) [TW01BLK11](#) [TW01GRY1](#)
[ZD4PA203](#) [HF44S10UMJ0](#) [TS3N2S00A](#) [TS1R1U00A](#) [TS1R1S09A](#) [TS1D2S00A](#) [TS1D1U02A](#) [HFX45S02](#) [HFX10S00](#) [HF11P11](#) [4R28-2S1E-55-00](#) [BD150A01RE0000](#) [ZD4PA24](#) [ZD4PA22](#) [ZD4PA12](#) [ZD4PA14](#)