

FULL BRIDGE CIRCUIT TYPE, SHORT TRAVEL

The J2-S4 Series of strain gauge based force transducers provides analog output proportional to the force applied to the button. The J2-S4 bottom mount transducer offers short travel, full bridge circuit, a flat button style, and 1 million cycle life.

The strain gauge transducer compensates for outside influences, like temperature, allowing the transducer to maintain accuracy even in the most demanding environments.

The J2-S4's threaded bushing case offers a secure switch retention method for a wide range of panel thicknesses.

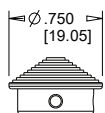
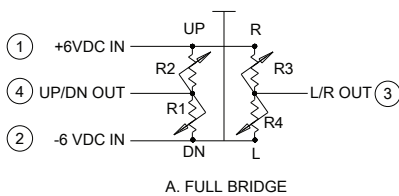
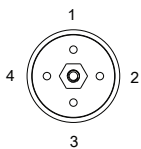
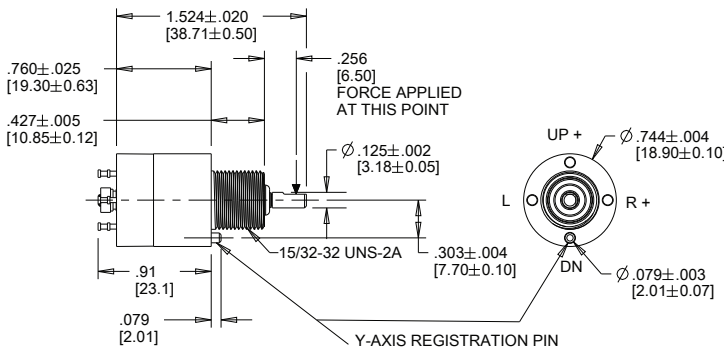
Applications include flight control, operating ground vehicles, and cursor control or target acquisition.

Features:

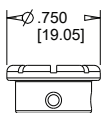
- Full bridge circuit type
- 1 million cycle life
- Short travel in each direction
- Watertight to IP68S
- Shorter behind panel
- Multiple button types available



J2-S4 Transducer



A. CONICAL HAT



B. FLAT BUTTON



Standard Characteristics/Ratings:	
ELECTRICAL RATINGS (+/- 6 VDC):	
Sensitivity	.50 Volts per lb. typical
Insulation Resistance:	100MΩ min @ 50VDC
Null Temp Coefficient:	+/- .08% full scale per degree C max
Null Hysteresis:	+/- .006 VDC within 1 second after release
Sensitivity Temp Coefficient:	+/- .2% full scale per degree C
Null Output:	0VDC +/- .100VDC
Resolution:	Infinite
Element Resistance:	1000Ω +/- 15%
Seal:	IP68S Watertight
Operating Force:	3.0 lbs. typical
Operating Temp Range:	-54°C to +71°C
Storage Temp Range:	-57°C to +85°C
Travel:	.05" max travel each direction
Cycle Life:	1,000,000 cycles; 1 cycle = max travel & return
MATERIALS:	
Button:	Anodized aluminum or plastic
Case:	Black anodized aluminum
Hardware:	Lockwasher, hex nut and button set screws

J2-S4 PART NUMBER CODE

J2-S4 X XX X XXX

Circuit Type	Electrical I/O (See Table)	Termination	Button Style and Color
A. Full Bridge	B6.	2. Terminals	AP2. Conical Hat, Black Thermoplastic BBA. Flat Button, Black Anodized Aluminum BCA. Flat Button, Clear Anodized Aluminum

EXCITATION VOLTAGE					
CIRCUIT CONFIGURATION	EXCITATION VOLTAGE (VOLTS VDC)	SENSITIVITY UNTIL STOP (UNITS VDC/LB. ±20%)	MAX OUTPUT AT STOP (UNITS VDC)	NULL OUTPUT AT 25°C BIPOLAR (UNITS VDC)	FULL SCALE TRAVEL CYCLES EACH DIRECTION (UNITS x10 ⁶)
B6	±6.0	±0.50	±1.80	±0.10	1.0

X-ON Electronics

Largest Supplier of Electrical and Electronic Components

Click to view similar products for [Speakers & Transducers](#) category:

Click to view products by [OTTO](#) manufacturer:

Other Similar products are found below :

[FC-30814-P127](#) [AS02832MR-2-R](#) [PB-1220PE](#) [PB-2015PQ](#) [SWFK-31736-000](#) [PT-2065FW](#) [PT-4175W](#) [PB-0927PQ](#) [MBS 3000-1811-A1AB08-0](#) [SMS2020-08H4.5 LF](#) [BDT1717-08H6.5W56MLF](#) [AS03608MR-LW100-R](#) [SP570445-4](#) [GSPK5010TN-4R2W](#) [GSPK5010TN-4R3W](#) [KLJ-1504R8W0.5-L44](#) [FS7423NB0430-H10.0](#) [FS50DS0430-H12.7 PEI](#) [FS3511NB0808-H6.7-R01](#) [FS66W04100-H31](#) [FS45DS0880-H24.8-R02](#) [FS32NS0820-H5.8-R01](#) [FS2112NB0807-H7.0-R01](#) [FS50DS0430-H13.3-R24](#) [FS3411P08-H4.0](#) [FS26NS0820-H4.9-R01](#) [FS14430NB0880-H30-R01](#) [FS5835DS0850-H19.4-R01](#) [FS2011NB0807-H3.9-R01](#) [FS28DS0820-H9.4-R01](#) [FS66W0850-H22](#) [FS40DS0830-H11.2-P2.0-L100](#) [FS28DS0830-H15.3](#) [FS102W0480-H35](#) [FS3525NS0820-H5.5-R01](#) [FS5035NB0820-H26.8-R01](#) [FS27DS0830-H10.8-R01](#) [FS3915NB0808-H11.5-R01](#) [FS3020NB0808-H4.0-R01](#) [FS3616NB0808-H10-R01](#) [FS3514NB0808-H6.0-R01](#) [FS40DS0450-H18.3](#) [FS77W0450-H23.5](#) [FS77W0850-H25.5](#) [FS78W0850-H34](#) [FS102W04200-H40](#) [FS3411P04-H4.0](#) [FS3232NB0820-H15.3-R01](#) [FS50DS0830-H12.7 PEI](#) [FS5630NB0830-H9.4-R01](#)