

SWITCH CHARACTERISTICS			
ELECTRICAL:			
	MIN	TYP	MAX
INSULATION RESISTANCE	100 MΩ MIN. AT 50 VDC		
NULL TEMPERATURE COEFFICIENT	±.08% FULL SCALE PER DEGREE C MAX.		
NULL HYSTERESIS	±.5% OF FULL SCALE WITHIN 1 SECOND AFTER RELEASE		
SENSITIVITY TEMPERATURE COEFFICIENT	±.2% FULL SCALE PER DEGREE C		
RESOLUTION	INFINITE		
MECHANICAL:			
TRAVEL (IN)	.05 MAX.		
OPERATING FORCE (LBS)	3.0	3.1	
PUSHBUTTON OPERATING POINT (IN)	.08 MAX		
PUSH BUTTON ACTUATION FORCE (LBS)	2.75	3.5	4.25
ENVIRONMENTAL:			
OPERATING TEMPERATURE (°C)	-40°		+71°
STORAGE TEMPERATURE (°C)	-55°		+85°
ENCLOSURE DUST TIGHT	IAW MIL-PRF-8805, SYMBOL 2		
TEST	MIL-S-81619 AND MIL-STD-810		
MATERIAL:			
SWITCH CASE	BLACK, ANODIZED ALUMINUM		
WIRES	NEMA HP3, TYPE E, (22" MIN)		
MARKING	OTTO, 21649, J2-S5 DATE CODE & SERIALIZATION (YYWW-###)		

J2-S5			
REV	ECN #	DATE	APR
A	B36906	13 JAN 23	KLW

J2-S5

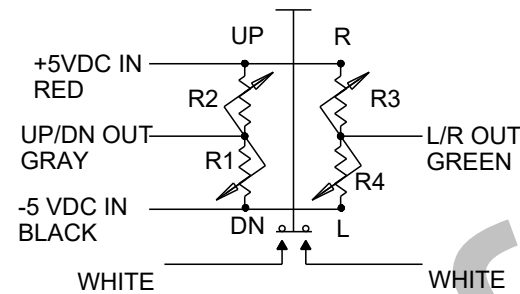
CIRCUIT TYPE
A. FULL BRIDGE

ELECTRICAL I/O
(SEE TABLE)

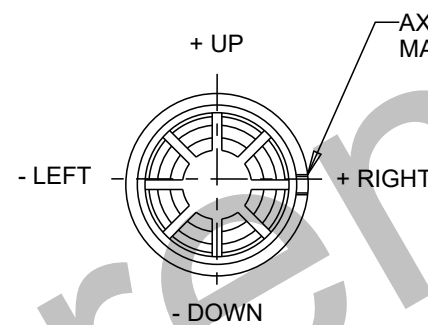
- B1
- B2
- B3
- B4
- B5
- G1
- G2
- G3
- G4
- G5

TERMINATION
1. WIRE LEADS
26 AWG
2. WIRE LEADS
24 AWG

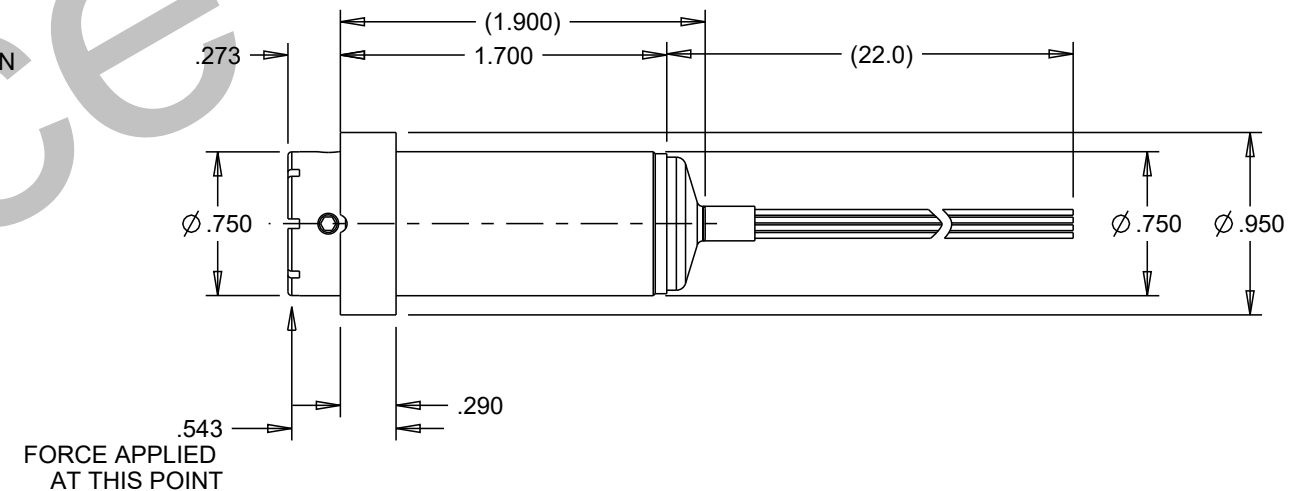
BUTTON STYLE + COLOR
BBA. FLAT BUTTON, BLACK ANODIZED ALUMINUM
BCA. FLAT BUTTON, CLEAR ANODIZED ALUMINUM



A. FULL BRIDGE



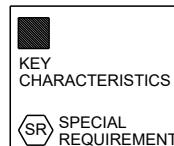
AXIS ORIENTATION MARK



CIRCUIT CONFIGURATION	EXCITATION VOLTAGE		NULL OUTPUT AT 25°C BIPOLAR (UNITS VDC)	NULL OUTPUT AT 25°C SUPPLY TO GROUND (UNITS VDC)	FULL SCALE TRAVEL CYCLES (UNITS x10 ⁶)
	EXCITATION VOLTAGE (UNITS VDC)	SENSITIVITY UNTIL STOP (UNITS VDC/LB. ±20%)			
B1	±7.5	±0.45	±0.10		0.3
G1	+15.0	±0.45		7.5±0.10	0.3
B2	±6.0	±0.45	±0.10		0.2
G2	+12.0	±0.45		6.0±0.10	0.2
B3	±6.0	±0.33	±0.06		1.0
G3	+12.0	±0.33		6.0±0.06	1.0
B4	±5.0	±0.33	±0.05		1.0
G4	+10.0	±0.33		5.0±0.05	1.0
B5	±5.0	±0.25	±0.05		1.0
G5	+10	±0.25		5.0±0.05	1.0

CONTROLLED DRAWING
THIS ITEM IS TO BE MANUFACTURED USING LEADED SOLDER AND IS INTENDED TO BE IN COMPLIANCE WITH THE REQUIREMENTS OF WEEE AND RoHS

UNLESS OTHERWISE SPECIFIED:
DIMENSIONS ARE IN INCHES.
TOLERANCES:
.XX ±.03
.XXX ±.010
ANGLES ±2°
DO NOT SCALE



OTTO.
CARPENTERSVILLE, ILLINOIS USA

THIS DOCUMENT IS THE CONFIDENTIAL PROPERTY OF OTTO ENGINEERING, INC.. IT IS NOT TO BE USED IN ANY WAY DETRIMENTAL TO THE INTERESTS OF OTTO ENGINEERING, INC..

DESCRIPTION				
J2, SHORT TRAVEL, PUSHBUTTON TRANSDUCER				
DRWN. KLW	SIZE	FSCM NO	DRAWING NO.	REV.
CHKD. KLW	B	21649	J2-S5	A
APPD. AH	THIRD ANGLE PROJECTION		Scale 1:1	Sheet 1 OF 1

X-ON Electronics

Largest Supplier of Electrical and Electronic Components

Click to view similar products for [Speakers & Transducers](#) category:

Click to view products by [OTTO](#) manufacturer:

Other Similar products are found below :

[FC-30814-P127](#) [AS02832MR-2-R](#) [PB-1220PE](#) [PB-2015PQ](#) [SWFK-31736-000](#) [PT-2065FW](#) [PT-4175W](#) [PB-0927PQ](#) [MBS 3000-1811-A1AB08-0](#) [SMS2020-08H4.5 LF](#) [BDT1717-08H6.5W56MLF](#) [AS03608MR-LW100-R](#) [SP570445-4](#) [GSPK5010TN-4R2W](#) [GSPK5010TN-4R3W](#) [KLJ-1504R8W0.5-L44](#) [FS7423NB0430-H10.0](#) [FS50DS0430-H12.7 PEI](#) [FS3511NB0808-H6.7-R01](#) [FS66W04100-H31](#) [FS45DS0880-H24.8-R02](#) [FS32NS0820-H5.8-R01](#) [FS2112NB0807-H7.0-R01](#) [FS50DS0430-H13.3-R24](#) [FS3411P08-H4.0](#) [FS26NS0820-H4.9-R01](#) [FS14430NB0880-H30-R01](#) [FS5835DS0850-H19.4-R01](#) [FS2011NB0807-H3.9-R01](#) [FS28DS0820-H9.4-R01](#) [FS66W0850-H22](#) [FS40DS0830-H11.2-P2.0-L100](#) [FS28DS0830-H15.3](#) [FS102W0480-H35](#) [FS3525NS0820-H5.5-R01](#) [FS5035NB0820-H26.8-R01](#) [FS27DS0830-H10.8-R01](#) [FS3915NB0808-H11.5-R01](#) [FS3020NB0808-H4.0-R01](#) [FS3616NB0808-H10-R01](#) [FS3514NB0808-H6.0-R01](#) [FS40DS0450-H18.3](#) [FS77W0450-H23.5](#) [FS77W0850-H25.5](#) [FS78W0850-H34](#) [FS102W04200-H40](#) [FS3411P04-H4.0](#) [FS3232NB0820-H15.3-R01](#) [FS50DS0830-H12.7 PEI](#) [FS5630NB0830-H9.4-R01](#)