

ATTRACTIVE & RUGGED FOR WET & DUSTY ENVIRONMENTS

Sealed to IP68S and IP69K, the OTTO K3 rocker switch is a quality, precision switch designed to comply with standards established for appliance, marine (ignition protection) and off-road vehicles along with other demanding applications where rugged rocker switches are required.

K3 sealed rocker switches snap into industry-standard panel cutouts. Choose illuminated and printed legends, thru-panel drain option and switching compatibility from logic level to 20 amps.

The K3 offers a choice of LED, incandescent and neon illumination. Legends can be stamped onto a non-illuminated button, stamped onto an illuminated lens or laser etched into the lens and backlit.

Available in standard and logic level contact ratings, the K3 rockers will fit a wide range of applications. Expect a minimum of 25,000 cycles at a full rated load of 20 amps resistive or 15 amps inductive. 100,000 cycles mechanical. A full complement of switch operation is available including momentary and maintained action in 2 or 3-position switches in SPST, SPDT, SPTT, DPST and DPDT circuit arrangements.

OTTO can provide custom colors upon request. Value-added assemblies with wire leads are also available. Please consult the factory for assistance.

Features:

- Sealed watertight per IP68S and IP69K
- Snap-in panel mounting into industry standard panel cutout
- Optional panel seal gasket
- Thru-panel drain option
- LED, neon & incandescent lighting
- 0.250" Quick Connect terminals
- Optional one-piece connector
- Optional terminal barriers
- Logic level up to 20 amp switch
- Configurable Single Pole Triple Throw (SPTT) with external jumpers
- RoHS compliant



Standard Characteristics/Ratings:		
ELECTRICAL RATINGS:		
Load	Sea Level @ 12/28VDC	Sea Level @ 125VAC, 60Hz
Resistive	20A	16A
Inductive	15A	15A
Lamp	5A	5A
Motor	0.5HP @ 110VAC	
DVVV	1050Vrms except across light terminals	
Logic Level	10mA @ 5VDC, max D.C. logic level ratings (void if logic level load(s) exceeded at any time)	
Electrical Life:	25,000 cycles	
LIGHTING:		
Light Source	Rating (see appendix for complete voltage/current ratings table)	
Incandescent	(VDC) 6V, 12V, 24V	
Neon	(VAC) 125V, 250V	
LED	(VDC) 2V, 6V, 12V, 24V	
Mechanical Life:	100,000 cycles	
Seal:	IP68S and IP69K	
Operating Temp Range:	-40°C to +85°C	
MATERIALS:		
Case:	Thermoplastic, black	
Button:	Thermoplastic	
Terminals/Contact:	Brass, silver alloy with silver plate, gold flash for logic level	
Terminal Hardware:	K3 series recommended Quick Connect terminals: AMP 60253-2 for 12-16 AWG AMP 42100-2 for 14-18 AWG	
Mounting Hardware:	None provided	

SEALED, ILLUMINATED ROCKER SWITCHES

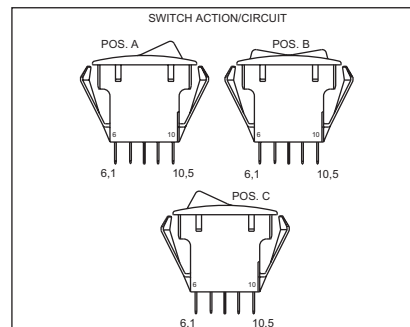
K3 SERIES PART NUMBER CODE

Part Number Code Continued Below

K3	X	X	XX	X	X																																																																																								
Base Options	Case Style/Button Color	Switch Action/Circuit	Light Source Type*	Light Circuit																																																																																									
A. With Keying Pin Only Standard Rating Silver Plate B. Without Barriers or Pin Standard Rating Silver Plate C. With Terminal Barriers Only Standard Rating Silver Plate D. With Keying Pin Only Logic Level Rating Gold Plate E. Without Barriers or Pin Logic Level Rating Gold Plate F. With Terminal Barriers Only Logic Level Rating Gold Plate G. With Keying Pin Only Standard Rating No Plate H. Without Barriers or Pin Standard Rating No Plate J. With Terminal Barriers Only Standard Rating No Plate	A. Case With Drain Holes Button Color: Black B. Case Without Drain Holes Button Color: Black C. Case With Drain Holes Button Color: Red D. Case Without Drain Holes Button Color: Red E. Case With Drain Holes Button Color: White F. Case Without Drain Holes Button Color: White NOTE: Switch case is black for all options below: 1. Case With Drain Holes Button Not Included 2. Case Without Drain Holes Button Not Included	<table border="0"> <tr> <td>Position "A"</td> <td>Position "B"</td> <td>Position "C"</td> <td>Circuit</td> </tr> <tr> <td>1A. 3-4</td> <td>NONE</td> <td>OFF</td> <td>SPST</td> </tr> <tr> <td>2A. 3-4/8-9</td> <td>NONE</td> <td>OFF</td> <td>DPST</td> </tr> <tr> <td>1B. 3-4</td> <td>NONE</td> <td>3-2</td> <td>SPDT</td> </tr> <tr> <td>2B. 3-4/8-9</td> <td>NONE</td> <td>3-2/8-7</td> <td>DPDT</td> </tr> <tr> <td>1C. (3-4)</td> <td>NONE</td> <td>OFF</td> <td>SPST</td> </tr> <tr> <td>2C. (3-4)/(8-9)</td> <td>NONE</td> <td>OFF</td> <td>DPST</td> </tr> <tr> <td>1D. (3-4)</td> <td>NONE</td> <td>3-2</td> <td>SPDT</td> </tr> <tr> <td>2D. (3-4)/(8-9)</td> <td>NONE</td> <td>3-2/8-7</td> <td>DPDT</td> </tr> <tr> <td>1E. (3-4)</td> <td>OFF</td> <td>(3-2)</td> <td>SPDT</td> </tr> <tr> <td>2E. (3-4)/(8-9)</td> <td>OFF</td> <td>(3-2)/(8-7)</td> <td>DPDT</td> </tr> <tr> <td>1F. 3-4</td> <td>OFF</td> <td>3-2</td> <td>SPDT</td> </tr> <tr> <td>2F. 3-4/8-9</td> <td>OFF</td> <td>3-2/8-7</td> <td>DPDT</td> </tr> <tr> <td>1G. (3-4)</td> <td>OFF</td> <td>3-2</td> <td>SPDT</td> </tr> <tr> <td>2G. (3-4)/(8-9)</td> <td>OFF</td> <td>3-2/8-7</td> <td>DPDT</td> </tr> </table>	Position "A"	Position "B"	Position "C"	Circuit	1A. 3-4	NONE	OFF	SPST	2A. 3-4/8-9	NONE	OFF	DPST	1B. 3-4	NONE	3-2	SPDT	2B. 3-4/8-9	NONE	3-2/8-7	DPDT	1C. (3-4)	NONE	OFF	SPST	2C. (3-4)/(8-9)	NONE	OFF	DPST	1D. (3-4)	NONE	3-2	SPDT	2D. (3-4)/(8-9)	NONE	3-2/8-7	DPDT	1E. (3-4)	OFF	(3-2)	SPDT	2E. (3-4)/(8-9)	OFF	(3-2)/(8-7)	DPDT	1F. 3-4	OFF	3-2	SPDT	2F. 3-4/8-9	OFF	3-2/8-7	DPDT	1G. (3-4)	OFF	3-2	SPDT	2G. (3-4)/(8-9)	OFF	3-2/8-7	DPDT	A. No Illumination B. 6V Incandescent C. 12V Incandescent D. 24V Incandescent E. 125VAC Neon F. 250VAC Neon G. 2V Red LED H. 2V Green LED J. 2V Amber LED K. 6V Red LED L. 6V Green LED M. 6V Amber LED N. 12V Red LED P. 12V Green LED Q. 12V Amber LED R. 24V Red LED S. 24V Green LED T. 24V Amber LED	<table border="0"> <tr> <td>Circuit</td> <td>Terminal Connections</td> </tr> <tr> <td>A. None</td> <td>None</td> </tr> <tr> <td>B. Dep. in "A"</td> <td>1(-) & 4(+)</td> </tr> <tr> <td>C. Dep. in "C"</td> <td>2(+) & 5(-)</td> </tr> <tr> <td>D. Ind. in "A"</td> <td>1(-) & 6(+)</td> </tr> <tr> <td>E. Ind. in "C"</td> <td>5(-) & 10(+)</td> </tr> <tr> <td>F. Dep. in "A"</td> <td>1(-) & 4(+)</td> </tr> <tr> <td>J. Dep. in "C"</td> <td>2(+) & 5(-)</td> </tr> <tr> <td>G. Dep. in "A"</td> <td>1(-) & 4(+)</td> </tr> <tr> <td>L. Ind. in "C"</td> <td>5(-) & 10(+)</td> </tr> <tr> <td>H. Ind. in "A"</td> <td>1(-) & 6(+)</td> </tr> <tr> <td>I. Dep. in "C"</td> <td>2(+) & 5(-)</td> </tr> <tr> <td>J. Ind. in "A"</td> <td>1(-) & 6(+)</td> </tr> <tr> <td>Q. Ind. in "C"</td> <td>5(-) & 10(+)</td> </tr> </table>		Circuit	Terminal Connections	A. None	None	B. Dep. in "A"	1(-) & 4(+)	C. Dep. in "C"	2(+) & 5(-)	D. Ind. in "A"	1(-) & 6(+)	E. Ind. in "C"	5(-) & 10(+)	F. Dep. in "A"	1(-) & 4(+)	J. Dep. in "C"	2(+) & 5(-)	G. Dep. in "A"	1(-) & 4(+)	L. Ind. in "C"	5(-) & 10(+)	H. Ind. in "A"	1(-) & 6(+)	I. Dep. in "C"	2(+) & 5(-)	J. Ind. in "A"	1(-) & 6(+)	Q. Ind. in "C"	5(-) & 10(+)
Position "A"	Position "B"	Position "C"	Circuit																																																																																										
1A. 3-4	NONE	OFF	SPST																																																																																										
2A. 3-4/8-9	NONE	OFF	DPST																																																																																										
1B. 3-4	NONE	3-2	SPDT																																																																																										
2B. 3-4/8-9	NONE	3-2/8-7	DPDT																																																																																										
1C. (3-4)	NONE	OFF	SPST																																																																																										
2C. (3-4)/(8-9)	NONE	OFF	DPST																																																																																										
1D. (3-4)	NONE	3-2	SPDT																																																																																										
2D. (3-4)/(8-9)	NONE	3-2/8-7	DPDT																																																																																										
1E. (3-4)	OFF	(3-2)	SPDT																																																																																										
2E. (3-4)/(8-9)	OFF	(3-2)/(8-7)	DPDT																																																																																										
1F. 3-4	OFF	3-2	SPDT																																																																																										
2F. 3-4/8-9	OFF	3-2/8-7	DPDT																																																																																										
1G. (3-4)	OFF	3-2	SPDT																																																																																										
2G. (3-4)/(8-9)	OFF	3-2/8-7	DPDT																																																																																										
Circuit	Terminal Connections																																																																																												
A. None	None																																																																																												
B. Dep. in "A"	1(-) & 4(+)																																																																																												
C. Dep. in "C"	2(+) & 5(-)																																																																																												
D. Ind. in "A"	1(-) & 6(+)																																																																																												
E. Ind. in "C"	5(-) & 10(+)																																																																																												
F. Dep. in "A"	1(-) & 4(+)																																																																																												
J. Dep. in "C"	2(+) & 5(-)																																																																																												
G. Dep. in "A"	1(-) & 4(+)																																																																																												
L. Ind. in "C"	5(-) & 10(+)																																																																																												
H. Ind. in "A"	1(-) & 6(+)																																																																																												
I. Dep. in "C"	2(+) & 5(-)																																																																																												
J. Ind. in "A"	1(-) & 6(+)																																																																																												
Q. Ind. in "C"	5(-) & 10(+)																																																																																												
			Special Circuits																																																																																										
			<table border="0"> <tr> <td>Position "A"</td> <td>Position "B"</td> <td>Position "C"</td> <td>Special Circuits</td> </tr> <tr> <td>1H. 3-4/8-9</td> <td>8-9</td> <td>OFF</td> <td>ON/ON/OFF</td> </tr> <tr> <td>1J. 3-4/8-9</td> <td>8-9</td> <td>NONE</td> <td>ON/ON/NONE</td> </tr> <tr> <td>1K. (3-4)/(8-9)</td> <td>8-9</td> <td>OFF</td> <td>(ON)/ON/OFF</td> </tr> <tr> <td>1L. (3-4)/(8-9)</td> <td>8-9</td> <td>NONE</td> <td>(ON)/ON/NONE</td> </tr> <tr> <td>1M. 3-4/8-9</td> <td>3-2/8-9</td> <td>3-2/8-7</td> <td>ON/ON/ON</td> </tr> <tr> <td>1N. (3-4)/(8-9)</td> <td>3-2/8-9</td> <td>3-2/8-7</td> <td>(ON)/ON/ON</td> </tr> <tr> <td>1P. (3-4)/(8-9)</td> <td>3-2/8-9</td> <td>(3-2)/(8-7)</td> <td>(ON)/ON/(ON)</td> </tr> <tr> <td>2R. 3-4/8-9</td> <td>OFF/8-9</td> <td>OFF/OFF</td> <td>ON/OFF/OFF</td> </tr> <tr> <td></td> <td></td> <td></td> <td>ON/ON/OFF</td> </tr> <tr> <td>2S. (3-4)/8-9</td> <td>OFF/8-9</td> <td>OFF/OFF</td> <td>(ON)/OFF/OFF</td> </tr> <tr> <td></td> <td></td> <td></td> <td>ON/ON/OFF</td> </tr> </table>	Position "A"	Position "B"	Position "C"	Special Circuits	1H. 3-4/8-9	8-9	OFF	ON/ON/OFF	1J. 3-4/8-9	8-9	NONE	ON/ON/NONE	1K. (3-4)/(8-9)	8-9	OFF	(ON)/ON/OFF	1L. (3-4)/(8-9)	8-9	NONE	(ON)/ON/NONE	1M. 3-4/8-9	3-2/8-9	3-2/8-7	ON/ON/ON	1N. (3-4)/(8-9)	3-2/8-9	3-2/8-7	(ON)/ON/ON	1P. (3-4)/(8-9)	3-2/8-9	(3-2)/(8-7)	(ON)/ON/(ON)	2R. 3-4/8-9	OFF/8-9	OFF/OFF	ON/OFF/OFF				ON/ON/OFF	2S. (3-4)/8-9	OFF/8-9	OFF/OFF	(ON)/OFF/OFF				ON/ON/OFF																																										
Position "A"	Position "B"	Position "C"	Special Circuits																																																																																										
1H. 3-4/8-9	8-9	OFF	ON/ON/OFF																																																																																										
1J. 3-4/8-9	8-9	NONE	ON/ON/NONE																																																																																										
1K. (3-4)/(8-9)	8-9	OFF	(ON)/ON/OFF																																																																																										
1L. (3-4)/(8-9)	8-9	NONE	(ON)/ON/NONE																																																																																										
1M. 3-4/8-9	3-2/8-9	3-2/8-7	ON/ON/ON																																																																																										
1N. (3-4)/(8-9)	3-2/8-9	3-2/8-7	(ON)/ON/ON																																																																																										
1P. (3-4)/(8-9)	3-2/8-9	(3-2)/(8-7)	(ON)/ON/(ON)																																																																																										
2R. 3-4/8-9	OFF/8-9	OFF/OFF	ON/OFF/OFF																																																																																										
			ON/ON/OFF																																																																																										
2S. (3-4)/8-9	OFF/8-9	OFF/OFF	(ON)/OFF/OFF																																																																																										
			ON/ON/OFF																																																																																										

*See appendix for complete voltage/current ratings table.

NOTE: () denotes momentary action.



K3 PART NUMBER CODE - CONTINUED FROM ABOVE

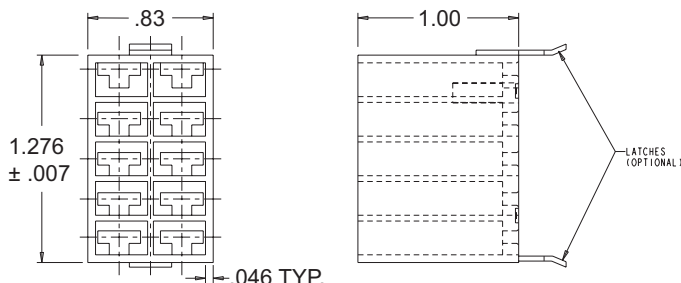
X	X	XX	XX	X	X	X																																										
Lens Color	Legend Style	Legend Color	Legend Orientation																																													
<table border="0"> <tr> <td>Position "A"</td> <td>Position "C"</td> </tr> <tr> <td>1. Transparent Red</td> <td>1. Transparent Red</td> </tr> <tr> <td>2. Transparent Green</td> <td>2. Transparent Green</td> </tr> <tr> <td>3. Transparent Amber ①</td> <td>3. Transparent Amber ①</td> </tr> <tr> <td>4. Clear ①</td> <td>4. Clear ①</td> </tr> <tr> <td>5. Translucent White ②</td> <td>5. Translucent White ②</td> </tr> <tr> <td>Z. No Lens ③</td> <td>Z. No Lens ③</td> </tr> </table>	Position "A"	Position "C"	1. Transparent Red	1. Transparent Red	2. Transparent Green	2. Transparent Green	3. Transparent Amber ①	3. Transparent Amber ①	4. Clear ①	4. Clear ①	5. Translucent White ②	5. Translucent White ②	Z. No Lens ③	Z. No Lens ③	<table border="0"> <tr> <td>Position "A"</td> <td>Position "C"</td> </tr> <tr> <td>ZZ. No Legend</td> <td>ZZ. No Legend</td> </tr> </table>	Position "A"	Position "C"	ZZ. No Legend	ZZ. No Legend	<table border="0"> <tr> <td>Position "A"</td> <td>Position "C"</td> </tr> <tr> <td>1. Red</td> <td>1. Red</td> </tr> <tr> <td>2. Black</td> <td>2. Black</td> </tr> <tr> <td>9. White</td> <td>9. White</td> </tr> <tr> <td>B. Backlight/Daylight White ④</td> <td>B. Backlight/Daylight White ④</td> </tr> <tr> <td>D. Backlight/Deadfront ④</td> <td>D. Backlight/Deadfront ④</td> </tr> <tr> <td>Z. No Legend</td> <td>Z. No Legend</td> </tr> </table>	Position "A"	Position "C"	1. Red	1. Red	2. Black	2. Black	9. White	9. White	B. Backlight/Daylight White ④	B. Backlight/Daylight White ④	D. Backlight/Deadfront ④	D. Backlight/Deadfront ④	Z. No Legend	Z. No Legend	<table border="0"> <tr> <td>Position "A"</td> <td>Position "C"</td> </tr> <tr> <td>1. Std.</td> <td>1. Std.</td> </tr> <tr> <td>2. 90°</td> <td>2. 90°</td> </tr> <tr> <td>3. 180°</td> <td>3. 180°</td> </tr> <tr> <td>4. 270°</td> <td>4. 270°</td> </tr> </table>		Position "A"	Position "C"	1. Std.	1. Std.	2. 90°	2. 90°	3. 180°	3. 180°	4. 270°	4. 270°		
Position "A"	Position "C"																																															
1. Transparent Red	1. Transparent Red																																															
2. Transparent Green	2. Transparent Green																																															
3. Transparent Amber ①	3. Transparent Amber ①																																															
4. Clear ①	4. Clear ①																																															
5. Translucent White ②	5. Translucent White ②																																															
Z. No Lens ③	Z. No Lens ③																																															
Position "A"	Position "C"																																															
ZZ. No Legend	ZZ. No Legend																																															
Position "A"	Position "C"																																															
1. Red	1. Red																																															
2. Black	2. Black																																															
9. White	9. White																																															
B. Backlight/Daylight White ④	B. Backlight/Daylight White ④																																															
D. Backlight/Deadfront ④	D. Backlight/Deadfront ④																																															
Z. No Legend	Z. No Legend																																															
Position "A"	Position "C"																																															
1. Std.	1. Std.																																															
2. 90°	2. 90°																																															
3. 180°	3. 180°																																															
4. 270°	4. 270°																																															
<p>NOTE: It is not recommended to use green LEDs with translucent white lenses. This will reduce light intensity. Use clear lenses with green LEDs for maximum light intensity.</p> <p>① Recommended for neon lamps. ② Special Order: Ultra bright green LED to be used with translucent white lenses. ③ Legend colors "B" & "D" are only available on lens color "Z".</p>	<p>NOTE: For all other legend options, refer to the legend table in the appendix, find the two digit code and enter the code in the appropriate position(s).</p>	<p>④ For legend color "B" and "D", please use button color "A" & "B" and lens color "Z" for each position.</p>																																														

STOP HERE for lighted switches without legends.

Example: K3AAIFNH-44

STOP HERE for unlighted switches without legends.

Example: K3AAIFAA



K3 Connector
P/N C801775-2A Without Latches
P/N C801775-2B With Latches

Panel Seal Gasket
P/N C807037

Order separately for use with switches without drain holes.

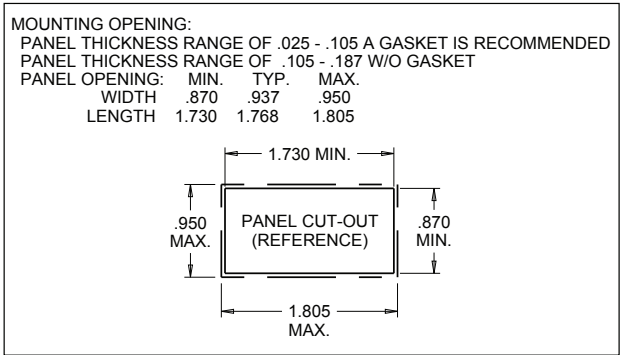
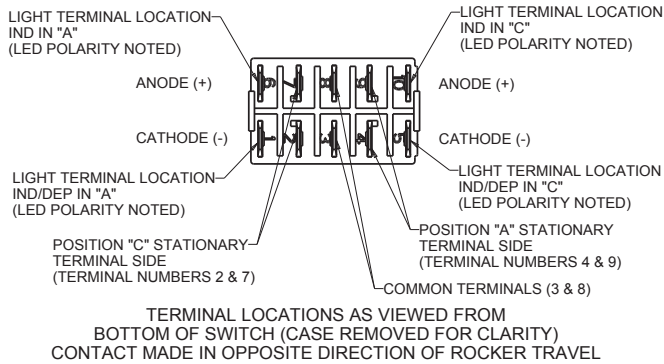
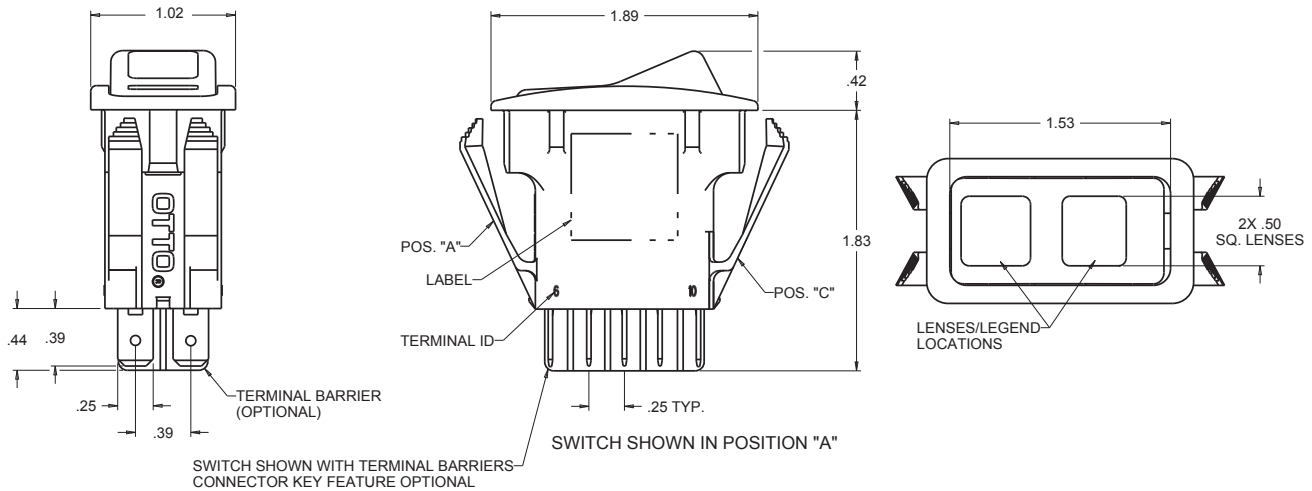
Panel Plug
See Panel Plug (PP) page.

• K3 panel plugs available as shown in Panel Plugs (PP) section.

Recommended Quick Connect Terminals:
AMP 60253-2 for 12-16 AWG
AMP 42100-2 for 14-18 AWG

SEALED, ILLUMINATED ROCKER SWITCHES

SNAP-IN PANEL MOUNTING, ATTRACTIVE & RUGGED FOR WET & DUSTY ENVIRONMENTS



<p>K3..1M... POS "A" POS "B" POS "C" SPECIAL CIRCUIT - ON-ON-ON SCHEMATIC</p>	<p>K3..2A... DPST-ON-NONE-OFF SCHEMATIC</p>	<p>K3..2B... DPDT-ON-NONE-ON SCHEMATIC</p>	<p>K3..2C... DPST-(ON)-NONE-OFF SCHEMATIC</p>	<p>K3..2D... DPDT-(ON)-NONE-ON SCHEMATIC</p>
<p>GENERAL SCHEMATIC INFORMATION</p> <ul style="list-style-type: none"> ○ INDICATES MAINTAIN ACTION (FIXED POSITION) ▼ INDICATES MOMENTARY ACTION (AUTOMATIC RETURN POSITION) <p>FOR OTHER LIGHTING SCHEMATICS REPLACE FOLLOWING SYMBOLS:</p> <ul style="list-style-type: none"> ⊕ INCANDESCENT (REPLACE RESISTOR & LED) ⊖ NEON (REPLACE LED) 	<p>K3..2E... DPDT-(ON)-OFF-(ON) SCHEMATIC</p>	<p>K3..2F... DPDT-ON-OFF-ON SCHEMATIC</p>	<p>K3..2G... DPDT-(ON)-OFF-ON SCHEMATIC</p>	<p>K3..2BNC-Z DPDT-ON-NONE-ON SCHEMATIC W/DEPENDENT LED IN "A"</p>
<p>K3..2BND-Z DPDT-ON-NONE-ON SCHEMATIC W/DEPENDENT LED IN "A"</p>	<p>K3..2BNE-Z DPDT-ON-NONE-ON SCHEMATIC W/DEPENDENT LED IN "C"</p>	<p>K3..2BNF... DPDT-ON-NONE-ON SCHEMATIC W/DEPENDENT LED IN "A" & "C"</p>	<p>K3..2BNG... DPDT-ON-NONE-ON SCHEMATIC W/DEPENDENT LED IN "A" & "C"</p>	<p>K3..2BNH... DPDT-ON-NONE-ON SCHEMATIC W/DEPENDENT LED IN "A" & "C"</p>

K1 THROUGH K5 & R2 PANEL PLUGS

K1-PA Panel Plug
One Piece Molded

OPTIONAL PANEL GASKET:
0.062" THICKNESS = P/N 807039-1
0.031" THICKNESS = P/N 807039-2

MOUNTING HOLE

RECOMMENDED PANEL THICKNESS: RANGE 0.025 - 0.105 OPTIONAL PANEL GASKET RECOMMENDED
RANGE 0.105 - 0.187 WITHOUT GASKET

Panel Opening:	Min.	Typ.	Max.
Width	0.480	0.515	0.550
Length	1.072	1.099	1.125

K2-PB Panel Plug
Assembled Plug

OPTIONAL PANEL GASKET:
0.062" THICKNESS = P/N 807038-1
0.031" THICKNESS = P/N 807038-2

MOUNTING HOLE

RECOMMENDED PANEL THICKNESS: RANGE 0.025 - 0.105 OPTIONAL PANEL GASKET RECOMMENDED
RANGE 0.105 - 0.187 WITHOUT GASKET

Panel Opening:	Min.	Typ.	Max.
Width	0.870	0.937	1.00
Length	1.072	1.099	1.125

K4-PB Panel Plug
Assembled Plug

OPTIONAL PANEL GASKET:
0.062" THICKNESS = P/N 807038-1
0.031" THICKNESS = P/N 807038-2

MOUNTING HOLE

RECOMMENDED PANEL THICKNESS: RANGE 0.025 - 0.105 OPTIONAL PANEL GASKET RECOMMENDED
RANGE 0.105 - 0.187 WITHOUT GASKET

Panel Opening:	Min.	Typ.	Max.
Width	0.870	0.937	1.00
Length	1.072	1.099	1.125

K3-PB Panel Plug
Assembled Plug

OPTIONAL PANEL GASKET:
P/N C807037

MOUNTING HOLE

RECOMMENDED PANEL THICKNESS: RANGE 0.025 - 0.105 OPTIONAL PANEL GASKET RECOMMENDED
RANGE 0.102 - 0.187 WITHOUT GASKET

Panel Opening:	Min.	Typ.	Max.
Width	0.870	0.937	0.950
Length	1.730	1.768	1.805

K5-PA / R2-PA Panel Plug
One Piece Molded

OPTIONAL PANEL GASKET:
P/N C807109

MOUNTING HOLE

RECOMMENDED PANEL THICKNESS: RANGE 0.025 - 0.105 OPTIONAL PANEL GASKET RECOMMENDED
RANGE 0.105 - 0.187 WITHOUT GASKET

Panel Opening:	Min.	Typ.	Max.
Width	0.830	0.863	0.895
Length	1.450	1.513	1.575

PANEL PLUG PART NUMBER CODE

X - X X X X

Series	Plug	Style	Plug Color ③	Button Insert ③
K1 ①	P	A. One Piece Molded	1. Red	1. Red*
K2 ②		B. Assembled Plug	2. Black	2. Black*
K3 ②			9. White	9. White*
K4 ②				Z. NONE**
K5 ①				
R2 ①				

*K3 series only.
**Molded plug only.

- ① Available in Style A only.
- ② Available in Style B only.
- ③ Additional colors available. Contact factory.

LED VOLTAGE/CURRENT RATINGS TABLE

ROCKER AND ROTARY SWITCH VOLTAGE/CURRENT RATINGS TABLES

K1, K2, K3P and K4 LIGHTING VOLTAGE/CURRENT COMPONENTS RATINGS

LIGHT SOURCE VOLTAGE CATEGORY	LIGHT SOURCE COLOR	FORWARD CURRENT	TYPICAL FORWARD/ NOMINAL VOLTAGE	MAX. FORWARD VOLTAGE
6 VDC INCANDESCENT	WHITE	.2 AMPS	6 VDC	8 VDC
12 VDC INCANDESCENT	WHITE	.08 AMPS	12 VDC	14 VDC
24 VDC INCANDESCENT	WHITE	.04 AMPS	24 VDC	28 VDC
125 VAC NEON	AMBER	1.9 mA	125 VAC	125 VAC
250 VAC NEON	AMBER	1.9 mA	250 VAC	250 VAC
2 V LED PRODUCTS*	RED	20 mA	1.9 VDC	2.5 VDC
	GREEN	20 mA	2.15 VDC	2.5 VDC
	AMBER	20 mA	1.95 VDC	2.5 VDC
	BLUE	20 mA	3.5 VDC	4.0 VDC
6 V LED PRODUCTS	SEE CHART	20 mA	6 VDC	8 VDC
12 V LED PRODUCTS	SEE CHART	20 mA	12 VDC	14 VDC
24 V LED PRODUCTS	SEE CHART	20 mA	24 VDC	28 VDC

K3/K5 LIGHTING VOLTAGE/CURRENT COMPONENTS RATINGS

LIGHT SOURCE VOLTAGE CATEGORY	LIGHT SOURCE COLOR	FORWARD CURRENT	TYPICAL FORWARD/ NOMINAL VOLTAGE	MAX. FORWARD VOLTAGE
6 VDC INCANDESCENT	WHITE	.2 AMPS	6 VDC	8 VDC
12 VDC INCANDESCENT	WHITE	.08 AMPS	12 VDC	14 VDC
24 VDC INCANDESCENT	WHITE	.04 AMPS	24 VDC	28 VDC
125 VAC NEON	AMBER	1.9 mA	125 VAC	125 VAC
250 VAC NEON	AMBER	1.9 mA	250 VAC	250 VAC
2 V LED PRODUCTS*	RED	20 mA	2.0 VDC	2.5 VDC
	GREEN	20 mA	2.2 VDC	2.6 VDC
	AMBER	20 mA	2.1 VDC	2.5 VDC
6 V LED PRODUCTS	SEE CHART	20 mA	6 VDC	8 VDC
12 V LED PRODUCTS	SEE CHART	20 mA	12 VDC	14 VDC
24 V LED PRODUCTS	SEE CHART	20 mA	24 VDC	28 VDC

R2 LIGHTING VOLTAGE/CURRENT COMPONENTS RATINGS

LIGHT SOURCE VOLTAGE CATEGORY	LIGHT SOURCE COLOR	FORWARD CURRENT	TYPICAL FORWARD/ NOMINAL VOLTAGE	MAX. FORWARD VOLTAGE
2 V LED PRODUCTS*	RED	20 mA	2.0 VDC	2.5 VDC
	GREEN	20 mA	2.2 VDC	2.6 VDC
	AMBER	20 mA	2.1 VDC	2.5 VDC
6 V LED PRODUCTS	SEE CHART	20 mA	6 VDC	8 VDC
12 V LED PRODUCTS	SEE CHART	20 mA	12 VDC	14 VDC
24 V LED PRODUCTS	SEE CHART	20 mA	24 VDC	28 VDC

*Intended for use with external resistor. The "2 volt" switches are intended to have a resistor added in series into the lighting circuit by the customer. To determine the approximate value of the resistor, use the equation below:

$$\text{RESISTOR SIZE} = \frac{\text{POWER SUPPLY VOLTAGE} - \text{LED FORWARD VOLTAGE}}{\text{LED FORWARD CURRENT}}$$

LED VOLTAGE/CURRENT RATINGS TABLE

ILLUMINATED PUSHBUTTON SWITCH & INDICATOR LIGHTS VOLTAGE/CURRENT RATINGS TABLES

LP3, LP5 AND LPL SERIES LIGHTING VOLTAGE/CURRENT COMPONENTS RATINGS

LIGHT SOURCE VOLTAGE CATEGORY	LED COLOR	FORWARD CURRENT	TYP. FORWARD VOLTAGE (DC)	MAX. FORWARD VOLTAGE DC
2V* PRODUCTS	RED	20 mA	1.9V	2.5V
	GREEN	20 mA	2.2V	2.6V
	AMBER			
	BLUE	20 mA	3.3V	4V
	DEEP GREEN			
6V PRODUCTS	ALL COLORS	20 mA	6V	8V
12V PRODUCTS	ALL COLORS	20 mA	12V	14.5V
24V PRODUCTS	ALL COLORS	20 mA	24 V	28.6 V

LP3S LIGHTING VOLTAGE/CURRENT COMPONENTS RATINGS

LIGHT SOURCE VOLTAGE CATEGORY	LED COLOR	FORWARD CURRENT	TYP. FORWARD VOLTAGE	MAX. FORWARD VOLTAGE
2V* PRODUCTS	RED	20 mA	2 V	2.5 V
	GREEN			
	AMBER			
	BLUE	20 mA	3.2 V	4 V
	DEEP GREEN			
	WHITE			
12V PRODUCTS	ALL COLORS	20 mA	12V	14V
24V PRODUCTS	ALL COLORS	20 mA	24 V	28.6 V

LP7-D and LP9 SERIES LIGHTING VOLTAGE/CURRENT COMPONENTS RATINGS

LIGHT SOURCE VOLTAGE CATEGORY	LED COLOR, WAVELENGTH (nm)	FORWARD CURRENT	TYP. FORWARD VOLTAGE	MAX. FORWARD VOLTAGE
2V LIGHTPIPE STYLE	RED (631)	20 mA	2V	2.4V
	GREEN (525)	20 mA	3.2V	3.6V
	AMBER (591)	20 mA	2.1V	2.4V
	BLUE (470)	20 mA	3.3V	3.8V
	WHITE	5 mA	2.9V	3.15V
2V, TRANSLUCENT FULLY ILLUMINATED STYLE	RED (630)	20 mA	1.95V	2.5V
	GREEN (525)	20 mA	3.3V	4.1V
	AMBER (601)	20 mA	2.1V	2.5V
	BLUE (465)	20 mA	3.3V	4V
	WHITE	5 mA	2.85V	3.1V
12V ALL PRODUCTS	ALL COLORS, SAME AS 2V	(20 mA)	12.0V	14.0V

LP9L SERIES LIGHTING VOLTAGE/CURRENT COMPONENTS RATINGS				
LIGHT SOURCE VOLTAGE CATEGORY	LED COLOR, WAVELENGTH (nm)	FORWARD CURRENT	TYP. FORWARD VOLTAGE	MAX. FORWARD VOLTAGE
2V PRODUCTS	RED (631)	20 mA	2V	2.4V
	GREEN (525)	20 mA	3.2V	3.6V
	AMBER (591)	20 mA	2.1V	2.4V
	BLUE (470)	20 mA	3.3V	3.8V
	WHITE	5 mA	2.9V	3.15V
12V PRODUCTS	ALL COLORS, SAME AS 2V	(20 mA)	12.0V	14.0V

*Intended for use with external resistor. The "2 volt" switches are intended to have a resistor added in series into the lighting circuit by the customer. To determine the approximate value of the resistor, use the equation below:

$$\text{RESISTOR SIZE} = \frac{\text{POWER SUPPLY VOLTAGE} - \text{LED FORWARD VOLTAGE}}{\text{LED FORWARD CURRENT}}$$

X-ON Electronics

Largest Supplier of Electrical and Electronic Components

Click to view similar products for [Rocker Switches](#) category:

Click to view products by [OTTO](#) manufacturer:

Other Similar products are found below :

[LTILA6E-1S-WH-RC-FN12VXCR1](#) [6-1571986-9](#) [8007K26N324V52](#) [8055K23Z7V](#) [8055K32Z7V](#) [8055K52Z7V](#) [8138K20E6M50](#) [84206L](#)
[84312LX](#) [PREDD5-07F-BB0GW](#) [999-16716-002](#) [999-16716-003](#) [999-16716-004](#) [A101J1V3Q004](#) [A101J2ZQ004](#) [A101J4ZQ004](#)
[A101J51CB0004](#) [A103J1ZQ004](#) [A201J1AQ004](#) [A201J3ZB004](#) [A201J50ZQ004](#) [A203J51ZQ0004](#) [A435S1YZQ](#) [H8500XBBBBL-A](#)
[H8653VBBG2577W](#) [HB130CHNWWNAAC](#) [R13112ABB-602W](#) [1251.0303](#) [AE205J60V3B004](#) [1352.0107](#) [1571099-3](#) [1571987-4](#)
[1571987-5](#) [1571989-7](#) [1571988-5](#) [B123J77V7B2](#) [B226J50W4Q22P](#) [B433J37ZQ22M](#) [160212E](#) [1634200-7](#) [1801.1164](#) [1839.1502](#) [PANEL-](#)
[PLUG-VHP-BLACK](#) [PANEL-PLUG-VHP-WT](#) [K1ABBSCADN](#) [KG312A2DXD246X](#) [250011E714](#) [2600HM11E](#) [2600R21E](#) [260413E](#)