

# ILLUMINATED & SEALED PUSHBUTTONS

**LP3**  
ILLUMINATED  
PUSHBUTTONS

MOMENTARY ACTION COMMERCIAL GRADE LED ILLUMINATED & SEALED

Raised Dome



Front Mount



The LP3 offers rugged, sealed construction with the added benefit of reliable LED illumination. This precision snap-action switch is designed for use in off-highway, material handling, industrial controls, marine, medical and demanding commercial applications. Choose from the standard mounting styles and electrical ratings, or contact us for custom configurations.

On sealed models, a silicone boot operating on our patented "rolling sleeve" principle protects the contact area against contamination at the button area. This boot provides long life and smooth operation over a wide temperature range. Sealed terminals protect the contact area from hostile environments and solder flux on both sealed and unsealed models.

High contact pressure, amazingly low contact resistance and extremely low contact bounce are all the result of the OTTO snap-action mechanism. Extra long electrical life and precise trip point offer added value and precision operation.

## Features:

- **Watertight to IP68S or moistureproof & dusttight to IP64**
- **LED lighted with the ability to accommodate 2, 6, 12 & 24VDC power & includes reverse voltage protection**
- **Tall & dome style buttons permitting sublimated & pad printed legends**
- **Less than 25mΩ contact resistance, low level option**
- **Quick disconnect terminals**
- **15/32" & 5/8" thread, press fit & dome case options**
- **RoHS/WEEE/Reach compliant**

## Standard Characteristics/Ratings:

### ELECTRICAL RATINGS:

Load	Sea Level @ 28VDC or 115VAC, 60/400Hz
Resistive	5A
Inductive	3A
Lamp	1A
Motor	3A
DWV	1050Vrms through switch contacts only
Low Level	10mA @ 30mV

**Electrical Life:** 25,000 cycles

### LIGHTING:

Light Source Voltage (DC)	Actual Voltage Nominal (DC)	Voltage Max (DC)
2	2	2.6
6	7	8
12	13.5	14.5
24	28	28.6

**Mechanical Life:** 250,000 cycles @ +85°C  
25,000 cycles @ -40°C

**Seal:** IP64 or IP68S

**Operating Temp Range:** -40°C to +85°C

**Operating Force:** 2.5 +/- .5 lbs. or 5.0 +/- 1.0 lb.

**Total Travel:** 0.080 inches max

**Overtravel:** 0.010 inches min

### MATERIALS:

**Case:** Anodized aluminum alloy

**Button:** Thermoplastic

**Terminals:** Standard and low level options available

**Mounting Hardware:** Hex nut, lockwasher and panel gasket when applicable

## LP3 PART NUMBER CODE

Case Style	Circuit Rating	Light Source Type* w/ Rev. Pol Protection	Seal Level	Operating Force	Case Color	Button Color	Legend Style
E. Exposed Dome	1. SPST N.O./Std.	A. 2V Red LED	1. Unsealed	2. 2.5 ± .5 lbs.	1. Silver	A. Amber, Translucent (use Amber LED)	Refer to Legend Table for legend codes in Appendix. Legends will be printed in white on amber and red buttons and in black on white buttons.
F. Flush Dome	2. SPST N.C./Std.	B. 2V Green LED	2. Dusttight	5. 5.0 ± 1 lbs.	2. Black	R. Red, Translucent (use Red LED)	
R. Raised Dome	3. SPDT 2 Circuit/Std.	C. 2V Amber LED	3. Watertight			W. White, Translucent	
1. Press Fit Mount	4. SPST N.O./Low Level	D. 6V Red LED					
3. 5/8" Thread Front Mount	5. SPST N.C./Low Level	E. 6V Green LED					
4. 15/32" Thread Rear Mount	6. SPDT 2 Circuit/Low Level	F. 6V Amber LED					
6. 5/8" Thread Rear Mount		G. 12V Red LED					
		H. 12V Green LED					
		J. 12V Amber LED					
		K. 24V Red LED					
		L. 24V Green LED					
		M. 24V Amber LED					
		N. 2V Blue LED					
		P. 6V Blue LED					
		Q. 12V Blue LED					
		R. 24V Blue LED					
		S. 2V Deep Green LED					
		T. 6V Deep Green LED					
		U. 12V Deep Green LED					
		V. 24V Deep Green LED					

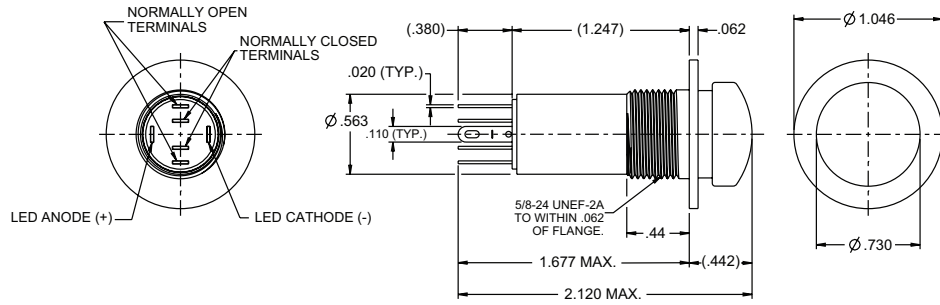
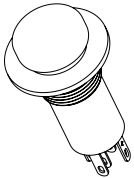
\* For super bright LEDs, contact factory.

**STOP HERE** for  
illuminated switches  
without legends.

MOMENTARY ACTION COMMERCIAL GRADE LED ILLUMINATED & SEALED

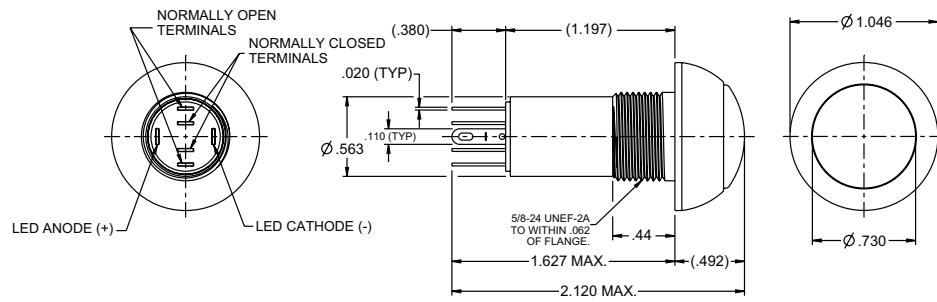
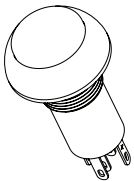
**LP3-E**

Momentary, Exposed Dome Button



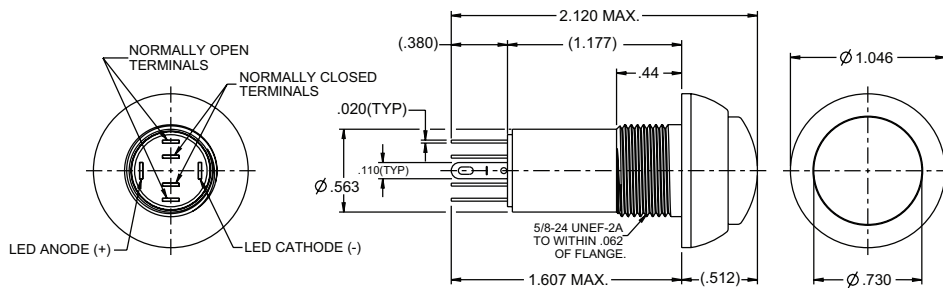
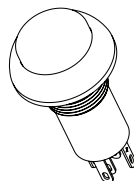
**LP3-F**

Momentary, Flush Dome Button



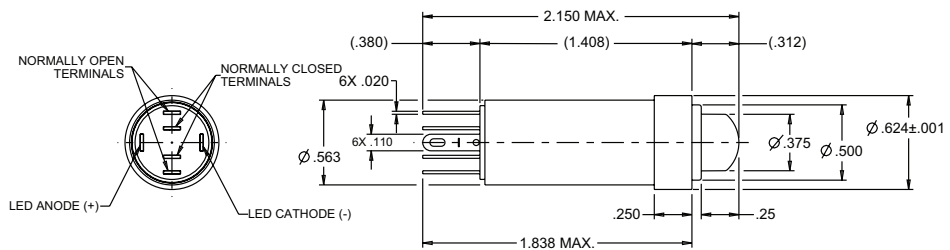
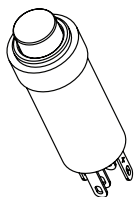
**LP3-R**

Momentary, Raised Dome Button



**LP3-1**

Momentary, Press Fit Mount

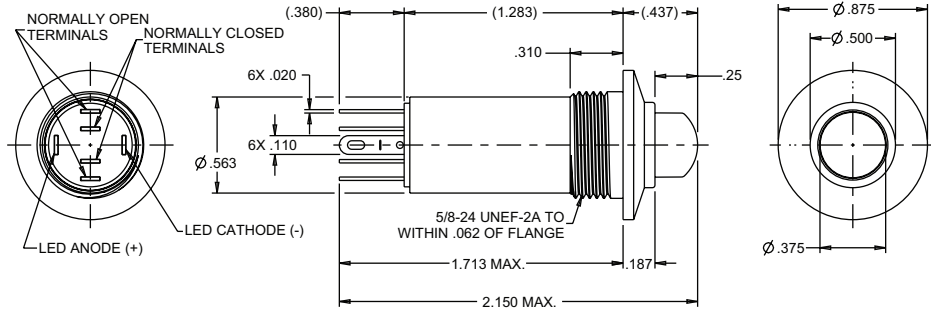
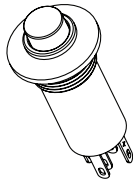


# ILLUMINATED & SEALED PUSHBUTTONS

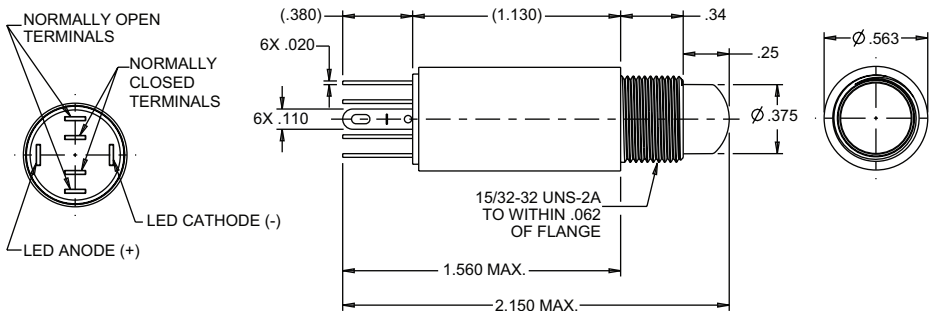
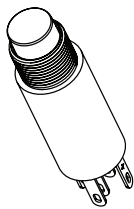
**LP3**  
ILLUMINATED  
PUSHBUTTONS

## MOMENTARY ACTION COMMERCIAL GRADE LED ILLUMINATED & SEALED

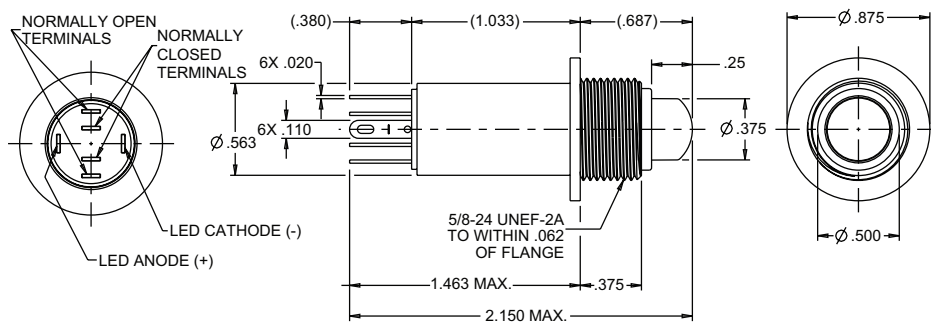
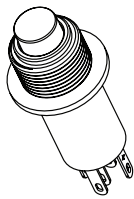
**LP3-3**  
Momentary, 5/8" Threaded Front Mount



**LP3-4**  
Momentary, 15/32" Threaded Rear Mount

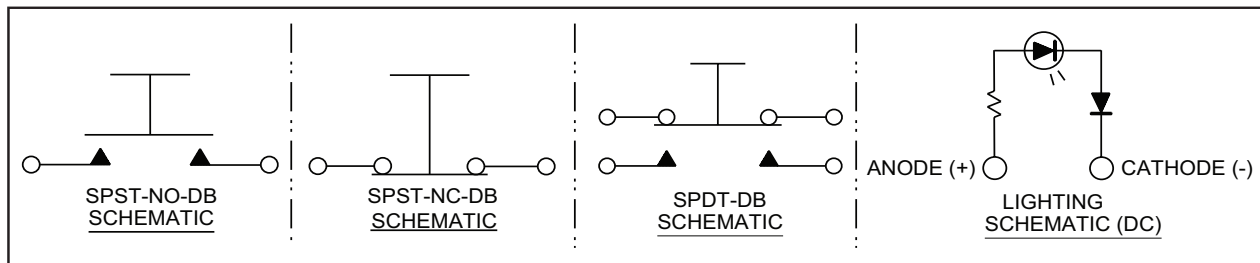


**LP3-6**  
Momentary, 5/8" Threaded Rear Mount



**NOTE:**

For indicator light only,  
see LPL indicator light pages 105-107.



## X-ON Electronics

Largest Supplier of Electrical and Electronic Components

*Click to view similar products for [Pushbutton Switches](#) category:*

*Click to view products by [OTTO](#) manufacturer:*

Other Similar products are found below :

[8940K2012](#) [LW1L-M1C10V-A](#) [LW1L-M1C70-A](#) [LW2L-A1C20M-GD](#) [LW2L-M1C20M-A](#) [60324L](#) [M22-D-R-GB0/K11](#) [M7E-HRN2](#)  
[67021K512](#) [67081K512X](#) [701PB580](#) [7199K101](#) [810K12910](#) [810KSV30B](#) [MML21EA2ADK](#) [MML21KA3ABK](#) [MML23KA3AC05K-001](#)  
[MML23KW3AA01W](#) [8418K2](#) [8442K3](#) [8450K1](#) [860K11911T01A](#) [861901](#) [861K11911T01A07](#) [861K13810T00A14](#) [861K13911](#)  
[8646AB6X718UL](#) [8646ABUL](#) [9001KXRK](#) [907AYY100](#) [PMHD155A1](#) [9533CD4+U574+U4922](#) [95-414.000](#) [99-450.837](#) [99-453.837](#)  
[PV3H2B0NN-341](#) [1203MRA](#) [A22NZBGANGA](#) [A22NZBNANGA](#) [A22NZMPATRA](#) [A2PMA1X03EC56](#) [A3A-5123-02](#) [A3A-7140](#) [A3A-7310](#) [A3A-7340](#) [A3U-TMW-A2C-5M](#) [A595](#) [12037A2ULCSA](#) [ABD122N-B](#) [1211390004](#)