

ATTRACTIVE & RUGGED FOR WET & DUSTY ENVIRONMENTS

The rugged P5-D switch is an alternate action "push on, push off" pushbutton switch with contoured dome styling. With two design versions, a flush dome and raised dome button profile, the P5-D offers excellent mechanical and electrical performance while operating under severe conditions found in demanding applications.

The P5-D features unsealed, dusttight, moistureproof and watertight seal options. A mechanical life of one million cycles, 25,000 cycles at full load.

The P5-D is a quality precision, snap-action switch designed for use in panels, instruments and other demanding applications where attractive, rugged pushbutton switches are required.

"Push On, Push Off" action

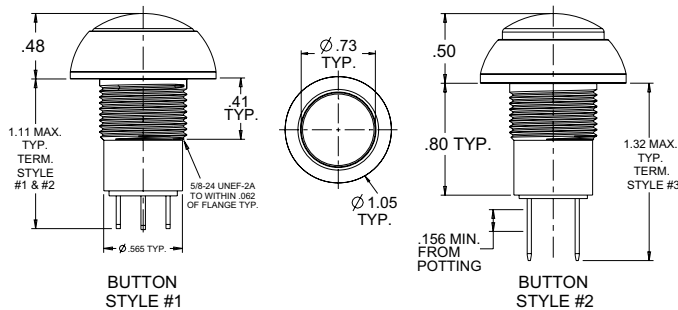


Flush Dome Button,  
Also available with  
Raised Dome

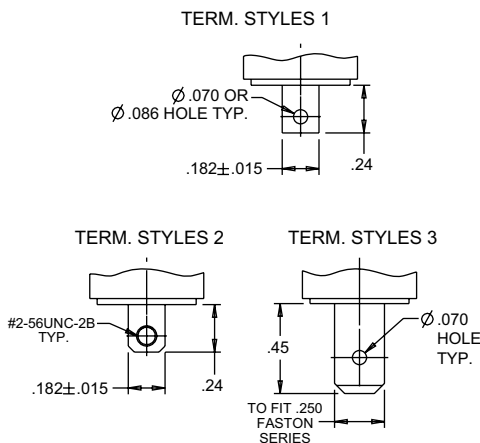


## Features:

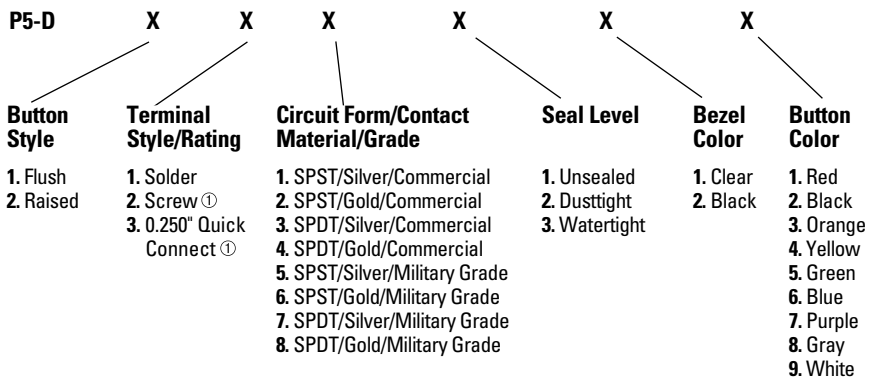
- 2 contoured button styles
- Button sealed with patented "rolling sleeve" principle
- Contact area sealed at case & terminals
- Less than 25mΩ contact resistance
- Handles low level up to 10 amps
- Moistureproof & dusttight to IP64 & MIL-PRF-8805 Design 2 or watertight to IP68S options
- Unsealed construction also available
- RoHS/WEEE/Reach compliant



Standard Characteristics/Ratings:	
<b>ELECTRICAL RATINGS:</b>	
Load	Sea Level @ 28VDC or 115VAC, 60/400Hz
Resistive	10A
Inductive	5A
Lamp	1A
Motor	3A
DWV	1050Vrms
<b>Electrical Life:</b>	25,000 cycles
<b>Mechanical Life:</b>	1,000,000 cycles
<b>Seal:</b>	IP64 & MIL-PRF-8805 Design 2 or IP68S
<b>Operating Temp Range:</b>	-55°C to +85°C
<b>Operating Force:</b>	3.0 lbs. +1/-0.5 lb.
<b>Total Travel:</b>	0.180 inches max
<b>Overtravel:</b>	0.012 inches min
<b>MATERIALS:</b>	
<b>Case:</b>	Anodized aluminum alloy
<b>Button:</b>	Thermoplastic
<b>Terminals:</b>	Brass with gold over silver
<b>Terminal Hardware:</b>	Screws, lockwashers and terminal lugs for screw terminal option
<b>Mounting Hardware:</b>	Hex nut, lockwasher



## P5-D PART NUMBER CODE



① Available on SPST circuit forms only.

## X-ON Electronics

Largest Supplier of Electrical and Electronic Components

*Click to view similar products for [Pushbutton Switches](#) category:*

*Click to view products by [OTTO](#) manufacturer:*

Other Similar products are found below :

[8940K2012](#) [LW1L-M1C10V-A](#) [LW1L-M1C70-A](#) [LW2L-A1C20M-GD](#) [LW2L-M1C20M-A](#) [60324L](#) [M22-D-R-GB0/K11](#) [M7E-HRN2](#)  
[67021K512](#) [67081K512X](#) [701PB580](#) [7199K101](#) [810K12910](#) [810KSV30B](#) [MML21EA2ADK](#) [MML21KA3ABK](#) [MML23KA3AC05K-001](#)  
[MML23KW3AA01W](#) [8418K2](#) [8442K3](#) [8450K1](#) [860K11911T01A](#) [861901](#) [861K11911T01A07](#) [861K13810T00A14](#) [861K13911](#)  
[8646AB6X718UL](#) [8646ABUL](#) [9001KXRK](#) [907AYY100](#) [PMHD155A1](#) [9533CD4+U574+U4922](#) [95-414.000](#) [99-450.837](#) [99-453.837](#)  
[PV3H2B0NN-341](#) [1203MRA](#) [A22NZBGANGA](#) [A22NZBNANGA](#) [A22NZMPATRA](#) [A2PMA1X03EC56](#) [A3A-5123-02](#) [A3A-7140](#) [A3A-7310](#) [A3A-7340](#) [A3U-TMW-A2C-5M](#) [A595](#) [12037A2ULCSA](#) [ABD122N-B](#) [1211390004](#)