

# VANDAL RESISTANT PUSHBUTTONS

ALTERNATE ACTION, SEALED AGAINST DUST & MOISTURE

The P5-V switch gives you all the functionality of the P5 Alternate Action switch with the added benefit of an aluminum security level case and button or a stainless steel vandal resistant case and button.

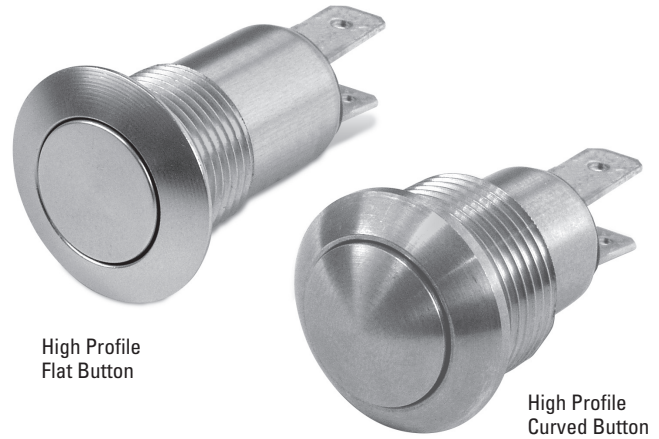
Push and the P5-V switch turns “on.” Push again and the switch turns “off.” Positive tactile feedback is featured so the operator is clearly aware the switch has been actuated. The button returns to the original position after each actuation.

To guard against front panel splash and dirt the P5-V is sealed at the button with OTTO’s patented “rolling sleeve” design. The terminals are sealed with epoxy, providing a seal against flux during wiring and behind panel dirt and moisture. The combination of sealing provides smooth operation over a wide temperature range. Watertight sealing to IP68S and IP69K is also available.

We are able to provide custom button engraving with epoxy ink backfill and other special characters, shrouded buttons, contact configurations and materials to suit your application requirements.

## Features:

- **Security (aluminum) or vandal resistant (stainless steel) case & button**
- **Button sealed with patented “rolling sleeve” design**
- **Contact area sealed at case & terminals**
- **Watertight to IP68S and IP69K or dusttight & moistureproof to IP64**
- **Handles logic level up to 5 amps**
- **1 million mechanical cycle life**
- **RoHS compliant**

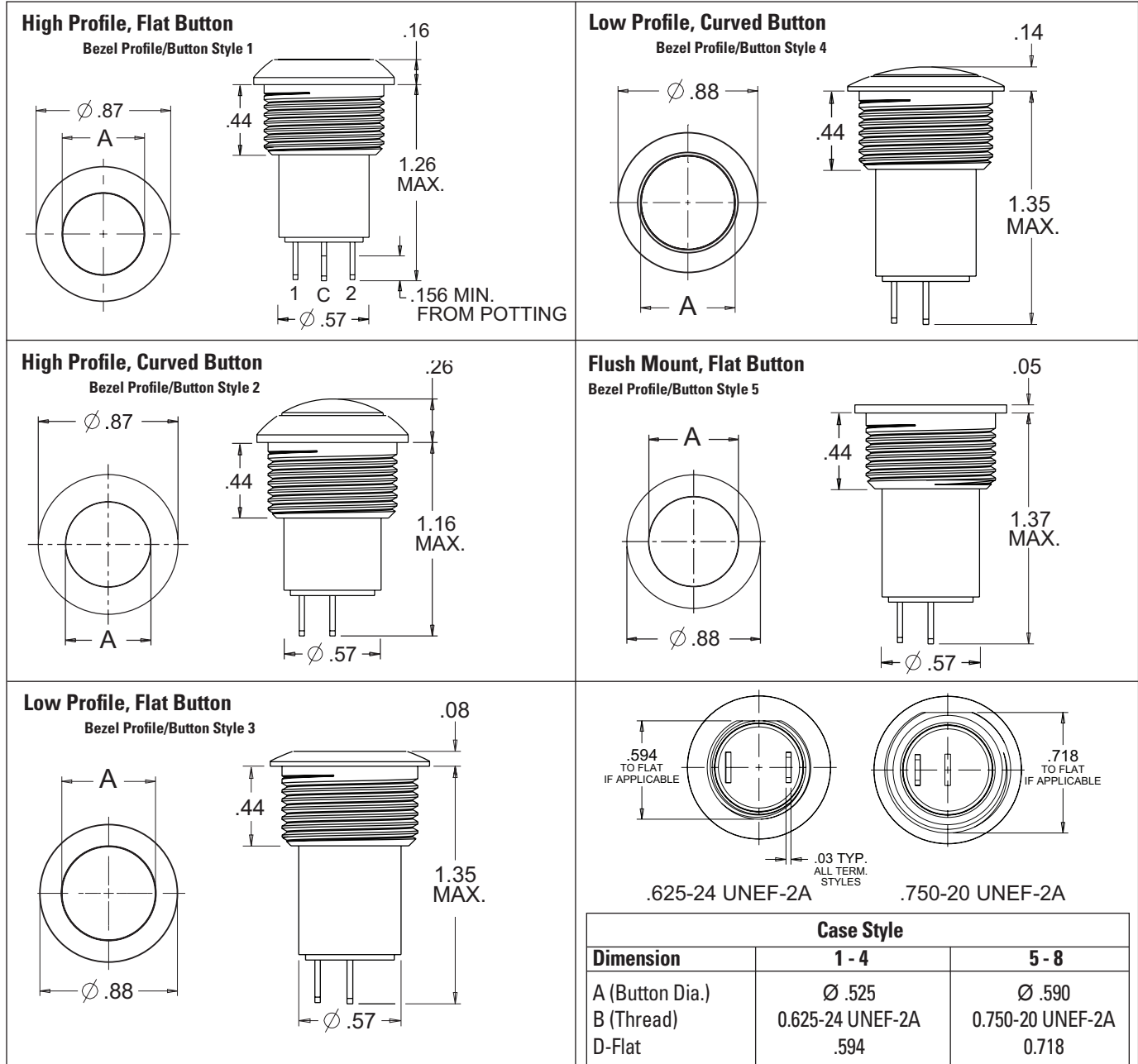


Standard Characteristics/Ratings:	
<b>ELECTRICAL RATINGS:</b>	
<b>Load</b>	<b>Sea Level @ 28VDC or 115VAC</b>
Resistive	5A
Inductive	3A
Lamp	1A
Motor	3A
DVV	1000Vrms
Logic Level	10mA @ 5VDC
<b>Electrical Life:</b>	25,000 cycles (1,000,000 logic level)
<b>Mechanical Life:</b>	1,000,000 cycles
<b>Seal:</b>	IP64 or IP68S and IP69K
<b>Operating Temp Range:</b>	-40°C to +85°C
<b>Operating Force:</b>	3.0 lbs. +/-0.5 lb.
<b>Total Travel:</b>	0.180 inches max
<b>Overtravel:</b>	0.012 inches min
<b>MATERIALS:</b>	
<b>Case:</b>	Thermoplastic or stainless steel (303)
<b>Button:</b>	Anodized aluminum alloy or stainless steel (303)
<b>Terminals:</b>	Brass with gold over silver
<b>Terminal Hardware:</b>	Screw, lockwasher and terminal lug when applicable
<b>Mounting Hardware:</b>	Hex nut, lockwasher and panel seal when applicable

# VANDAL RESISTANT PUSHBUTTONS

**P5-V**  
VANDAL  
RESISTANT  
PUSHBUTTONS

SEALED AGAINST DUST & MOISTURE



## P5-V PART NUMBER CODE

	P5	-	X	X	X	X	X	
Type	Thread*		Terminal Style/ Case Color		Circuit / Contacts		Seal	Bezel Profile/ Button
V. Stainless	1. 5/8-24 & Hex Nut		1. Solder Terminal/Silver		1. SPST/Silver		1. Dusttight	1. High Profile/Flat Button
A. Aluminum	3. 5/8-24 W/D-Flat & Hex Nut		2. Screw Terminal/Silver ①		2. SPST/Gold		2. Watertight	2. High Profile/Curved Button
	5. 3/4-20 & Hex Nut		3. Solder Terminal/Black ①		3. SPDT/Silver			3. Low Profile/Flat Button
	7. 3/4-20 W/D-Flat & Hex Nut		4. Screw Terminal/Black ① ②		4. SPDT/Gold			4. Low Profile/Curved Button
								5. Flush Profile

\* For Knurl Nut Thread options, contact factory.  
 ① Only Available on P5-A Styles.  
 ② Screw terminals available on SPST circuits only.

## X-ON Electronics

Largest Supplier of Electrical and Electronic Components

*Click to view similar products for [Pushbutton Switches](#) category:*

*Click to view products by [OTTO](#) manufacturer:*

Other Similar products are found below :

[8940K2012](#) [LW1L-M1C10V-A](#) [LW1L-M1C70-A](#) [LW2L-A1C20M-GD](#) [LW2L-M1C20M-A](#) [60324L](#) [M22-D-R-GB0/K11](#) [M7E-HRN2](#)  
[67021K512](#) [67081K512X](#) [701PB580](#) [7199K101](#) [810K12910](#) [810KSV30B](#) [MML21EA2ADK](#) [MML21KA3ABK](#) [MML23KA3AC05K-001](#)  
[MML23KW3AA01W](#) [8418K2](#) [8442K3](#) [8450K1](#) [860K11911T01A](#) [861901](#) [861K11911T01A07](#) [861K13810T00A14](#) [861K13911](#)  
[8646AB6X718UL](#) [8646ABUL](#) [9001KXRK](#) [907AYY100](#) [PMHD155A1](#) [9533CD4+U574+U4922](#) [95-414.000](#) [99-450.837](#) [99-453.837](#)  
[PV3H2B0NN-341](#) [1203MRA](#) [A22NZBGANGA](#) [A22NZBNANGA](#) [A22NZMPATRA](#) [A2PMA1X03EC56](#) [A3A-5123-02](#) [A3A-7140](#) [A3A-7310](#) [A3A-7340](#) [A3U-TMW-A2C-5M](#) [A595](#) [12037A2ULCSA](#) [ABD122N-B](#) [1211390004](#)