

LATCHING PUSHBUTTON

P9M
LATCHING
PUSHBUTTON

SEALED, LATCHING PUSHBUTTON

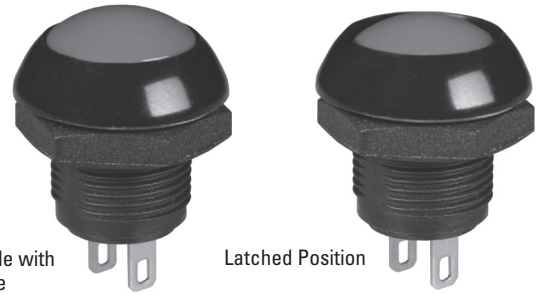
The P9M pushbutton is a small, sealed, normally open, latching switch, ideal for basic ON/OFF functions. Push the button to latch it into position, push again to unlatch. Flush dome and raised dome button profiles are available in either gloss or matte finish.

The P9M comes with a standard 15/32" threaded case for hex nut mounting and features short behind panel depth. It also offers excellent performance while operating under severe conditions found in demanding applications.

The P9M is a quality precision switch designed for use in control panels, grips, computers, instruments and other applications where attractive, rugged, long life pushbutton switches are required.

Features:

- Sealed to IP68S
- All plastic housing & button construction
- 15/32" standard bushing
- Flush and raised dome button styles in gloss or matte finish
- RoHS compliant

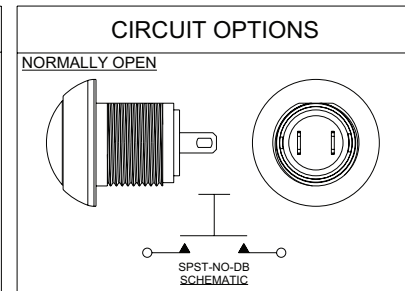
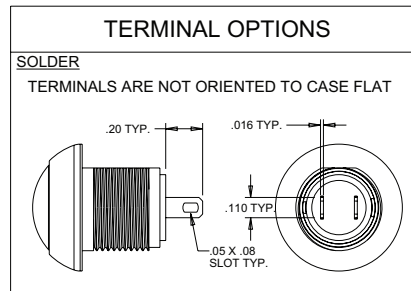
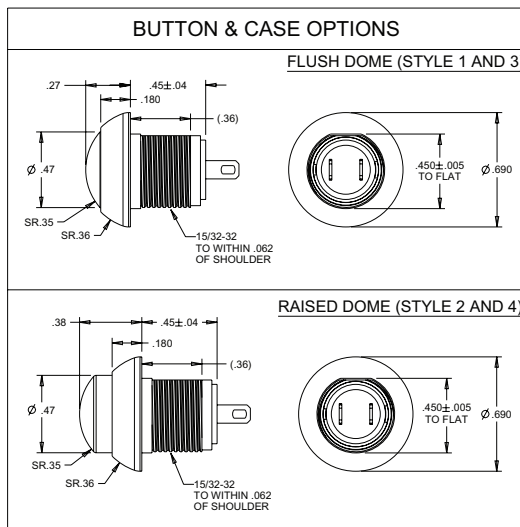


Flush Dome
Also available with
Raised Dome

Latched Position

Standard Characteristics/Ratings:

ELECTRICAL RATINGS: @ Sea Level			
Load	Voltage	Current	Life Cycles
Resistive	12VDC	4A	200,000
Resistive	48VDC	1A	200,000
Resistive	48VDC	2A	100,000
Resistive	48VDC	3A	75,000
Logic Level	5VDC	10mA	200,000
DWV	1000Vrms		
Electrical Life:	See Rating Chart		
Mechanical Life:	200,000 cycles		
Seal:	IP68S		
Operating Temp Range:	-40°C to +85°C		
Operating Force:	12+/-6 ounces		
Total Travel:	.071+/--.015 inches		
Contact Resistance:	0.050 Ω max. initial		
Insulation Resistance:	1 GΩ min. at 500 VDC		
MATERIALS:			
Case:	Thermoplastic		
Button:	Thermoplastic		
Contacts:	Silver with gold		
Mounting Hardware:	Hex nut, lockwasher and panel seal		



P9M PART NUMBER CODE



X-ON Electronics

Largest Supplier of Electrical and Electronic Components

Click to view similar products for [Pushbutton Switches](#) category:

Click to view products by [OTTO](#) manufacturer:

Other Similar products are found below :

[8940K2012](#) [LW1L-M1C10V-A](#) [LW1L-M1C70-A](#) [LW2L-A1C20M-GD](#) [LW2L-M1C20M-A](#) [60324L](#) [M22-D-R-GB0/K11](#) [M7E-HRN2](#)
[67021K512](#) [67081K512X](#) [701PB580](#) [7199K101](#) [810K12910](#) [810KSV30B](#) [MML21EA2ADK](#) [MML21KA3ABK](#) [MML23KA3AC05K-001](#)
[MML23KW3AA01W](#) [8418K2](#) [8442K3](#) [8450K1](#) [860K11911T01A](#) [861901](#) [861K11911T01A07](#) [861K13810T00A14](#) [861K13911](#)
[8646AB6X718UL](#) [8646ABUL](#) [9001KXRK](#) [907AYY100](#) [PMHD155A1](#) [9533CD4+U574+U4922](#) [95-414.000](#) [99-450.837](#) [99-453.837](#)
[PV3H2B0NN-341](#) [1203MRA](#) [A22NZBGANGA](#) [A22NZBNANGA](#) [A22NZMPATRA](#) [A2PMA1X03EC56](#) [A3A-5123-02](#) [A3A-7140](#) [A3A-7310](#) [A3A-7340](#) [A3U-TMW-A2C-5M](#) [A595](#) [12037A2ULCSA](#) [ABD122N-B](#) [1211390004](#)