

MOMENTARY ACTION NORMALLY OPEN OR NORMALLY CLOSED



Features:

- MIL-PRF-8805/96 qualified
- Momentary snap-action
- Sealed or unsealed
- Compact, space-saving design
- Black or red button colors available
- Clear or black case colors available
- RoHS compliant

Standard Characteristics/Ratings:

ELECTRICAL RATINGS:

Load	Sea Level @ 28VDC or 115VAC, 60/400Hz
Resistive	5A
Inductive	2A
DWV	1000Vrms
Electrical Life:	25,000 cycles
Mechanical Life:	50,000 cycles
Seal:	Unsealed per MIL-PRF-8805 Design 1 or Dusttight per MIL-PRF-8805 Design 2
Operating Temp Range:	-55°C to +85°C
Operating Force:	1.5 lbs. +/- 0.5 lb. (unsealed) 1.75 lbs. +/- 0.5 lb. (dusttight)
Total Travel:	0.095 inches +/- 0.015 inches
Overtravel:	0.010 inches min
Pretravel:	0.010 inches min

MATERIALS:

Case:	Anodized aluminum alloy, clear or black
Button:	Thermoplastic
Terminals:	Silver alloy
Mounting Hardware:	Hex nut and lockwasher

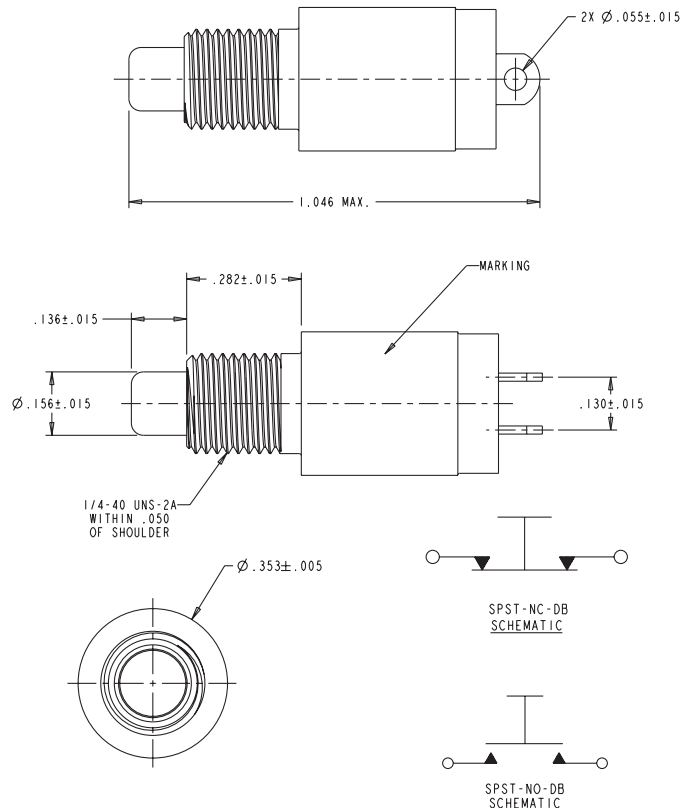
Momentary, Normally Open

OTTO PART NUMBER	MILITARY PART NUMBER	SEAL	CASE COLOR	BUTTON COLOR
PE-1111	M8805/96-001	UNSEALED	CLEAR	RED
PE-1112	M8805/96-002	UNSEALED	CLEAR	BLACK
PE-1121	M8805/96-005	UNSEALED	BLACK	RED
PE-1122	M8805/96-006	UNSEALED	BLACK	BLACK
PE-1211	M8805/96-009	DUST TIGHT	CLEAR	RED
PE-1212	M8805/96-010	DUST TIGHT	CLEAR	BLACK
PE-1221	M8805/96-013	DUST TIGHT	BLACK	RED
PE-1222	M8805/96-014	DUST TIGHT	BLACK	BLACK

Momentary, Normally Closed

OTTO PART NUMBER	MILITARY PART NUMBER	SEAL	CASE COLOR	BUTTON COLOR
PE-2111	M8805/96-003	UNSEALED	CLEAR	RED
PE-2112	M8805/96-004	UNSEALED	CLEAR	BLACK
PE-2121	M8805/96-007	UNSEALED	BLACK	RED
PE-2122	M8805/96-008	UNSEALED	BLACK	BLACK
PE-2211	M8805/96-011	DUST TIGHT	CLEAR	RED
PE-2212	M8805/96-012	DUST TIGHT	CLEAR	BLACK
PE-2221	M8805/96-015	DUST TIGHT	BLACK	RED
PE-2222	M8805/96-016	DUST TIGHT	BLACK	BLACK

PE-1 Series Shown



X-ON Electronics

Largest Supplier of Electrical and Electronic Components

Click to view similar products for [Pushbutton Switches](#) category:

Click to view products by [OTTO](#) manufacturer:

Other Similar products are found below :

[8940K2012](#) [LW1L-M1C10V-A](#) [LW1L-M1C70-A](#) [LW2L-A1C20M-GD](#) [LW2L-M1C20M-A](#) [60324L](#) [M22-D-R-GB0/K11](#) [M7E-HRN2](#)
[67021K512](#) [67081K512X](#) [701PB580](#) [7199K101](#) [810K12910](#) [810KSV30B](#) [MML21EA2ADK](#) [MML21KA3ABK](#) [MML23KA3AC05K-001](#)
[MML23KW3AA01W](#) [8418K2](#) [8442K3](#) [8450K1](#) [860K11911T01A](#) [861901](#) [861K11911T01A07](#) [861K13810T00A14](#) [861K13911](#)
[8646AB6X718UL](#) [8646ABUL](#) [9001KXRK](#) [907AYY100](#) [PMHD155A1](#) [9533CD4+U574+U4922](#) [95-414.000](#) [99-450.837](#) [99-453.837](#)
[PV3H2B0NN-341](#) [1203MRA](#) [A22NZBGANGA](#) [A22NZBNANGA](#) [A22NZMPATRA](#) [A2PMA1X03EC56](#) [A3A-5123-02](#) [A3A-7140](#) [A3A-7310](#) [A3A-7340](#) [A3U-TMW-A2C-5M](#) [A595](#) [12037A2ULCSA](#) [ABD122N-B](#) [1211390004](#)