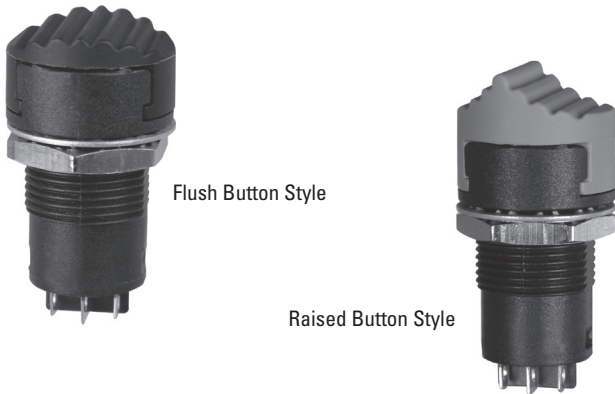


## COMMERCIAL & MILITARY GRADES



Flush Button Style

Raised Button Style

### Features:

- Single & double pole, double throw switch configuration
- Logic level rating available with gold plate contacts & terminals
- 3-position center OFF with momentary or maintained switch action in any combination
- Dusttight to MIL-PRF-8805 Design 2
- Raised & flush button contours available
- Choice of button color
- FAA/PMA available (contact factory)
- RoHS compliant

### Standard Characteristics/Ratings:

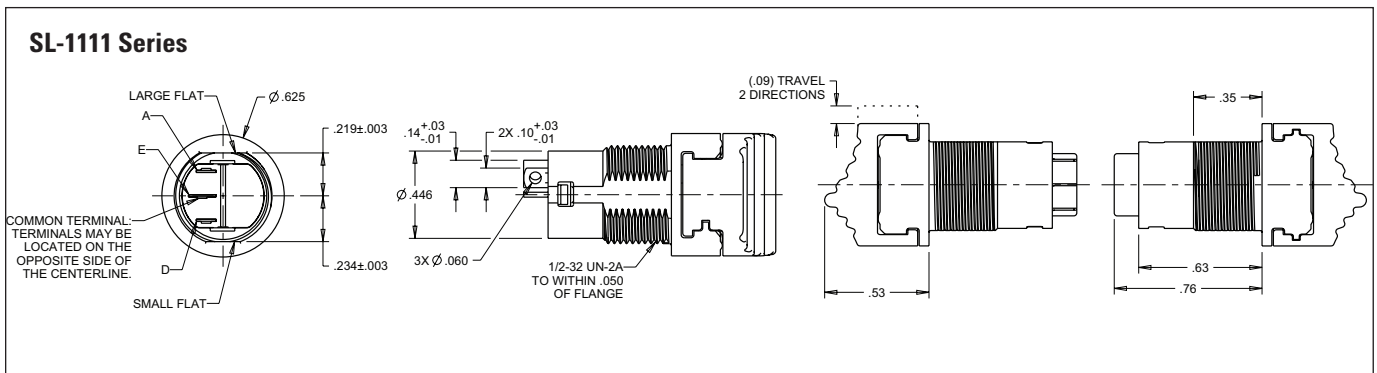
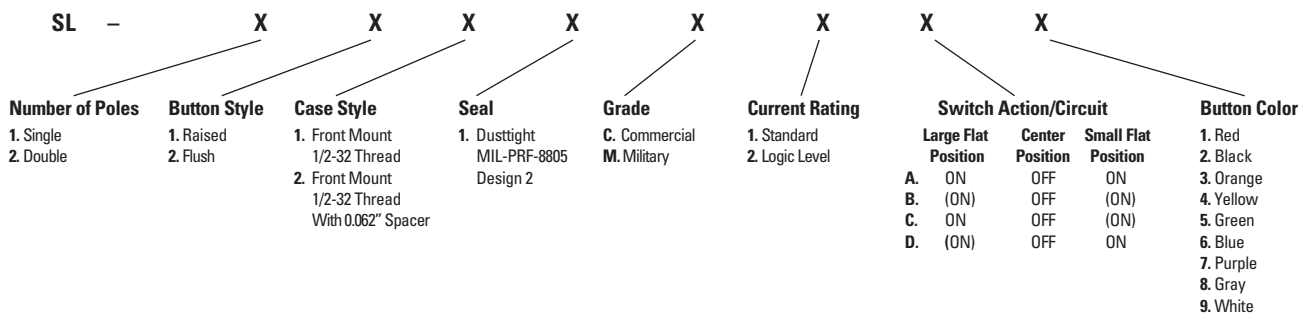
#### ELECTRICAL RATINGS:

Load	Sea Level @ 28VDC or 115VAC, 60/400Hz
Resistive	5A
Inductive	3A
Lamp	1A
DWV	1050Vrms
Logic Level	10mA @ 5VDC
<b>Electrical Life:</b>	100,000 cycles
<b>Mechanical Life:</b>	100,000 cycles
<b>Seal:</b>	Dusttight per MIL-PRF-8805 Design 2
<b>Operating Temp Range:</b>	-55°C to +85°C
<b>Operating Force:</b>	24 oz +/- 10 oz
<b>Return Force:</b>	10 oz +8 oz/-3 oz to center from maintained position
<b>Total Travel:</b>	0.120 inches max two directions
<b>Overtravel:</b>	0.010 inches min

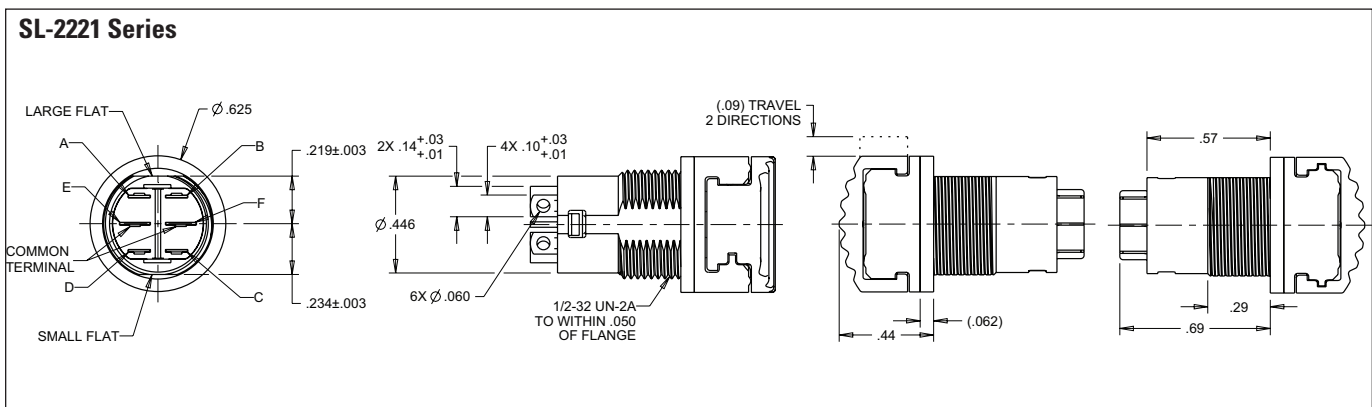
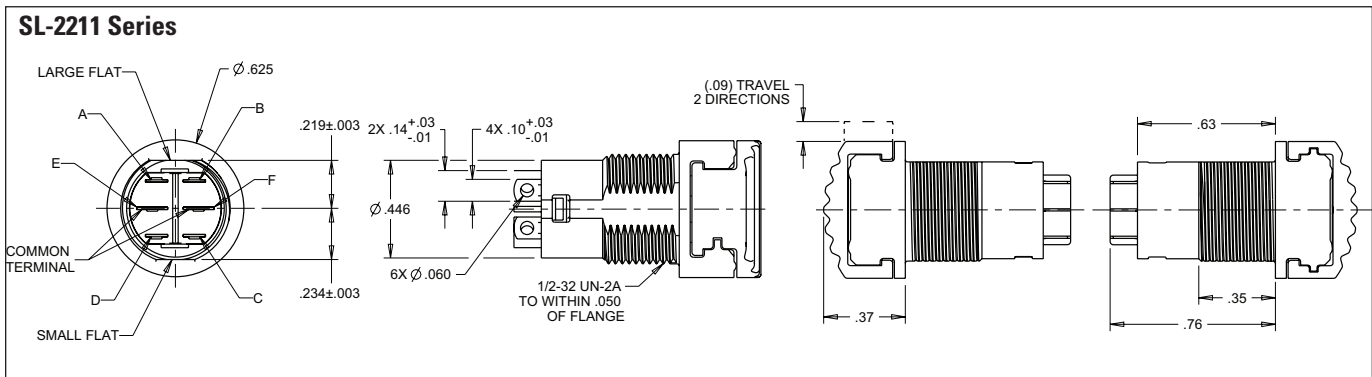
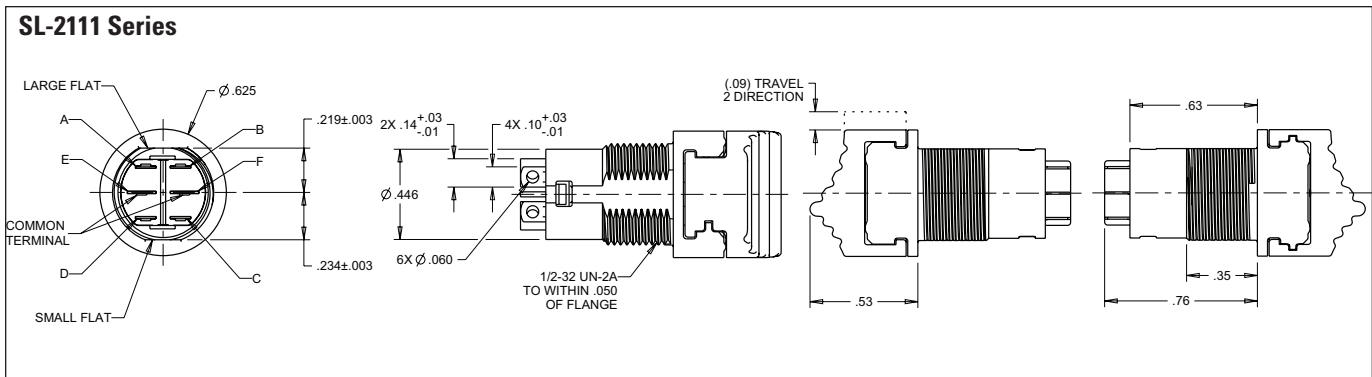
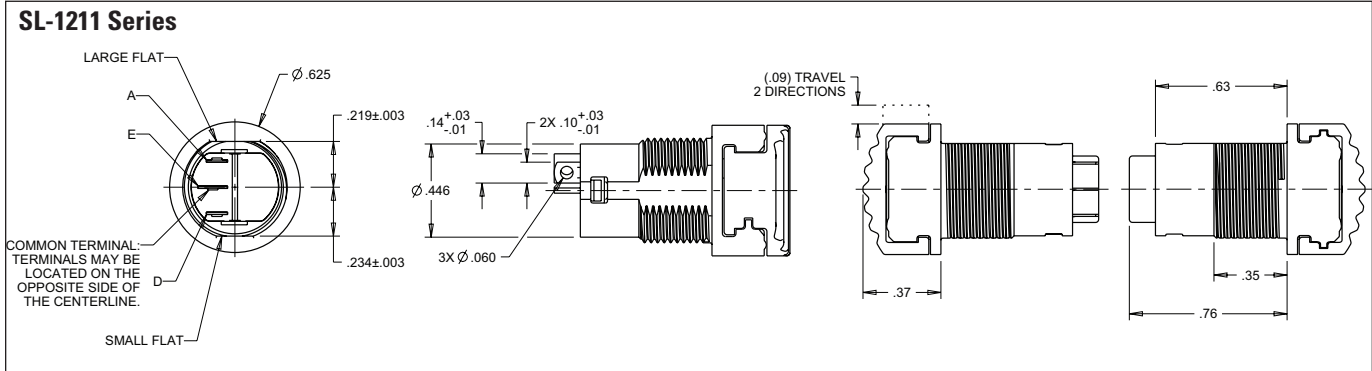
#### MATERIALS:

<b>Case:</b>	Thermoplastic
<b>Button:</b>	Thermoplastic
<b>Terminals:</b>	Copper with silver Gold over silver for logic level
<b>Terminal Hardware:</b>	None provided
<b>Mounting Hardware:</b>	Hex nut and lockwasher

### SL PART NUMBER CODE



COMMERCIAL & MILITARY GRADES



## X-ON Electronics

Largest Supplier of Electrical and Electronic Components

*Click to view similar products for [Slide Switches](#) category:*

*Click to view products by [OTTO](#) manufacturer:*

Other Similar products are found below :

[6-1437581-1](#) [M43R](#) [MHS123K15D](#) [MHS133K](#) [MMD](#) [MSS12A](#) [1825074-1](#) [1825160-3](#) [1825167-2](#) [1825289-7](#) [K232CB](#) [25139NLDB](#)  
[25449NAH](#) [SLB1240R45](#) [1825078-1](#) [1825080-4](#) [1825269-1](#) [1825270-2](#) [STS141RA04](#) [T2215BEN506](#) [GH46P000001](#) [GH49P010001](#)  
[M42A](#) [AYZ0202AG](#) [L203091MS02Q](#) [4-1437581-7](#) [48BFSP3M2QT](#) [1101M1S3ZB8E2](#) [1-1437581-1](#) [EG1218REDACTUATOR](#)  
[MSS2225G04](#) [MSS42G](#) [T105S1CWZBE](#) [SLB124145](#) [SLB1280R5](#) [TG39W000050](#) [25149NAH](#) [25439NAH](#) [25436NAH6](#) [TG36Y000050](#)  
[NK236X693](#) [SL-1211C1B8](#) [46204LRX](#) [1977143-4](#) [1977144-4](#) [HASS0194](#) [JS0001](#) [SSJ12R04](#) [880092](#) [GR5-1323-0800](#)