

4-WAY MOMENTARY TOGGLE WITH TACTILE RESPONSE

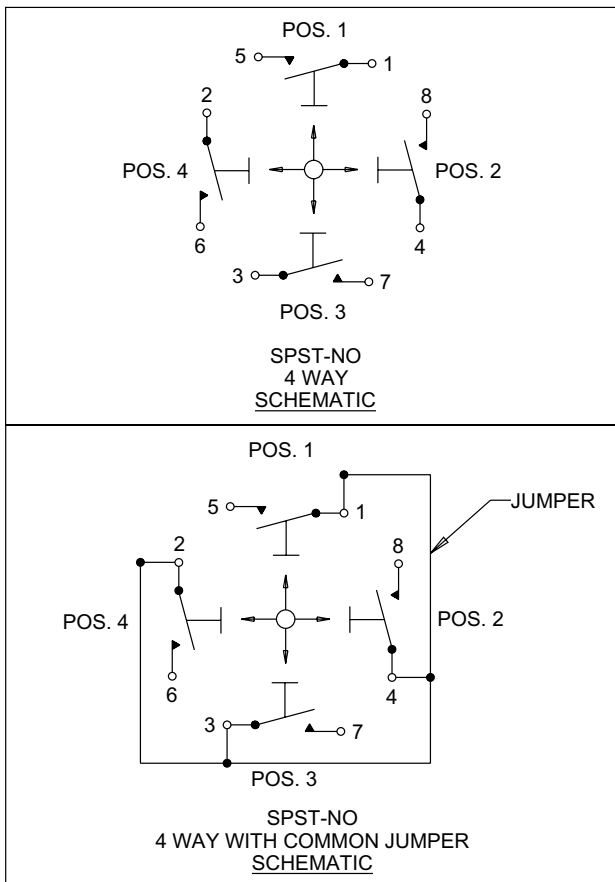
Tactile switches remain a favorite among design engineers because the positive detent indicates circuit transfer to the operator. The T4-T toggle switch provides a 4-way momentary toggle action with detent providing a positive click action.

T4-T seal options include IP64, IP68S and water resistant per MIL-STD-810F; method 506.4, procedure 3 (drip).

The T4-T series provides Commercial and Military grade switching with a positive click action, ideal for grip applications in aircraft and off-road equipment.

Features:

- Positive detent
- 4-way momentary toggle action
- Positive click action
- Enclosure sealed to IP64, IP68S or water resistant per MIL-STD-810F; method 506.4, procedure 3 (drip)
- Logic level options
- Available in Commercial & Military grades
- Variety of button styles & colors available
- RoHS compliant

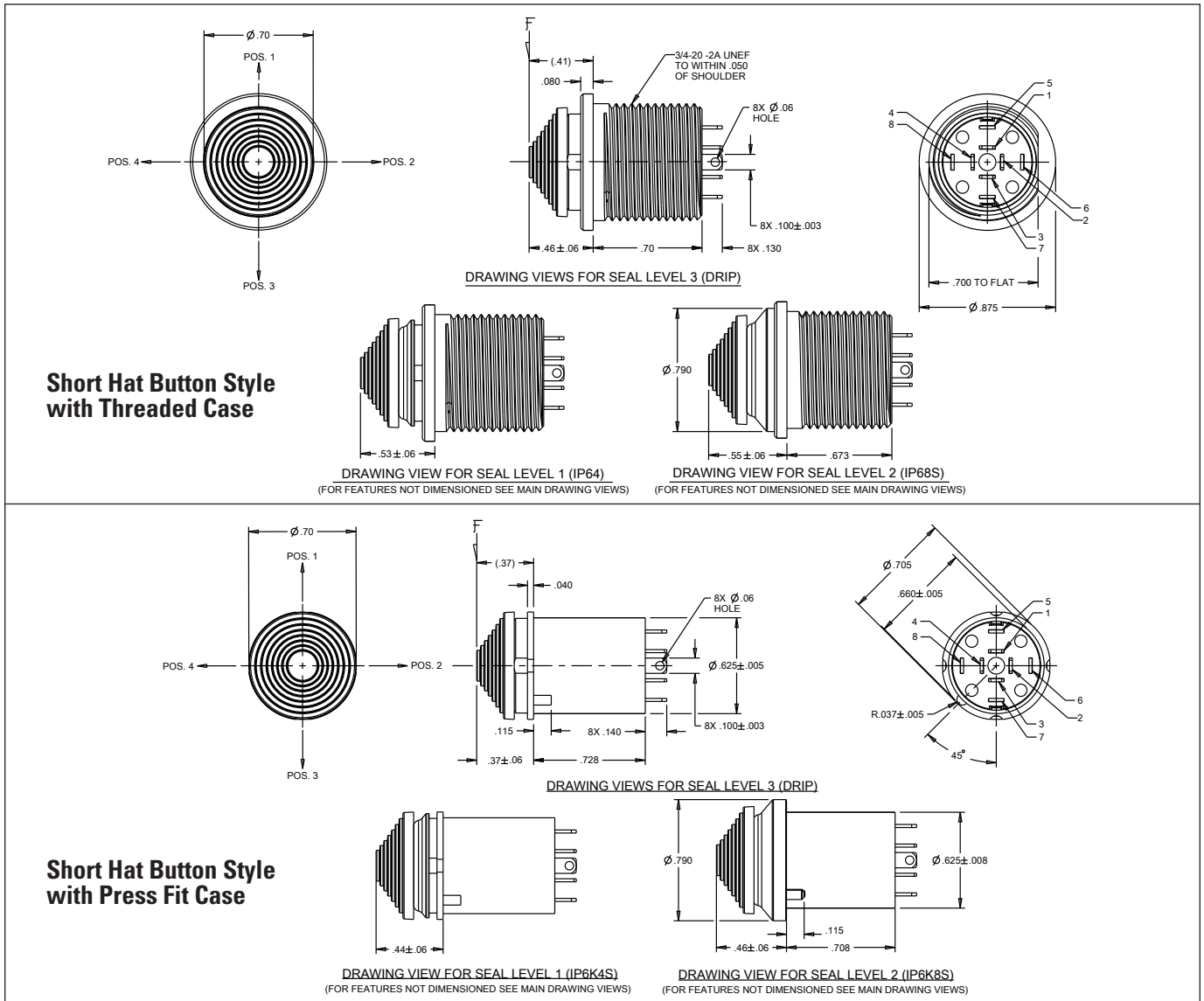


Standard Characteristics/Ratings:

ELECTRICAL RATINGS:

Load	Sea Level @ 28VDC
Resistive	2A
Inductive	1A
DWV	1000Vrms
Logic Level	10mA @ 5VDC
Electrical Life:	100,000 cycles min. (Military) 150,000 cycles min. (Commercial)
Mechanical Life:	500,000 cycles
Seal:	IP64, IP68S or water resistant per MIL-STD-810F, method 506.4, procedure 3 (drip)
Operating Temp Range:	-55°C to +85°C
Operating Force:	0.75 lb. +/- 0.25 lb.
Button Strength:	4.5 lb. minimum pull
Overtravel:	1.5° min
Pretravel:	9.5° max
Return Point:	4° min
MATERIALS:	
Case:	Black Thermoplastic
Button:	Thermoplastic
Terminals:	Copper or brass Gold over silver for logic level
Bushing:	Black anodized aluminum alloy
Mounting Hardware:	Hexnut, lockwasher and panel seal gasket where applicable

4-WAY MOMENTARY TOGGLE WITH TACTILE RESPONSE



T4-T PART NUMBER CODE

	T4-T	X	X	X	X	X	X
Series	Grade	Button Style*	Case Style	Seal	Current Rating	Button Color**	
T4-T 4-Way	C. Commercial M. Military	A. 2-Way Jog B. Tall Jog C. Rocker D. Cone E. LRUD Hat F. IOUD Hat G. Hat H. Stadium J. Castle K. 4-Way Jog L. Inverse Hat M. Tall Hat N. Short Hat P. Rotated Stadium	3. Press Fit 4. Threaded	1. IP64 Dusttight 2. IP68S Watertight 3. Water resistant per MIL-STD-810F, method 506.4, procedure 3 (drip)	1. Standard 2. Logic Level 3. Standard With Internal Jumper 4. Logic Level With Internal Jumper	1. Red 2. Black 8. Gray	

**Contact factory for additional colors.

*T4-T Mini Trim Button Styles are shown on the Button Styles page and in the appendix.

X-ON Electronics

Largest Supplier of Electrical and Electronic Components

Click to view similar products for [Multi-Directional Switches](#) category:

Click to view products by [OTTO](#) manufacturer:

Other Similar products are found below :

[MJTP1109AL](#) [RA3CSH6A](#) [APTCFVTR](#) [RKJXW1014002](#) [RKJXW2014001](#) [T4-0183](#) [TSWA-3N-CUP2-LFS](#) [TSW A-3N-CUP-LFS](#) [3J2115-200N](#) [3J2015-200](#) [3J2015-200N](#) [CS41001E](#) [T4-0010](#) [2200-000301](#) [PL3-AC-V-T/R](#) [T4-CN211N](#) [T4-CD2212](#) [RKJXK1210002](#) [RKJXK122000D](#) [RKJXK122400Y](#) [RKJXL100401V](#) [RKJXM1015004](#) [RKJXS1004001](#) [RKJXT1F42001](#) [RKJXV1220001](#) [RKJXV1224005](#) [RKJXY1000006](#) [SKQUDBE010](#) [SKRHAAE010](#) [SKRHABE010](#) [SKRHACE010](#) [SKRHADE010](#) [SLLB120100](#) [SLLB120200](#) [SLLB120300](#) [SLLB510100](#) [SLLB510200](#) [SLLB520100](#) [SRBE110301](#) [SRBE210200](#) [AMPTFP2VTR](#) [D16202](#) [PHAP4383V](#) [3302](#) [QS1 KQS1 BK S C](#) [QS2 KQS1 BK N C](#) [QS2 KQS1 BK S C](#) [Tsw A-3n-Cb11 Lfs](#) [TSW A-3N-C-LFS](#) [PLJG1-KH-V-T/R](#)