

T5 MINI TRIM SWITCHES

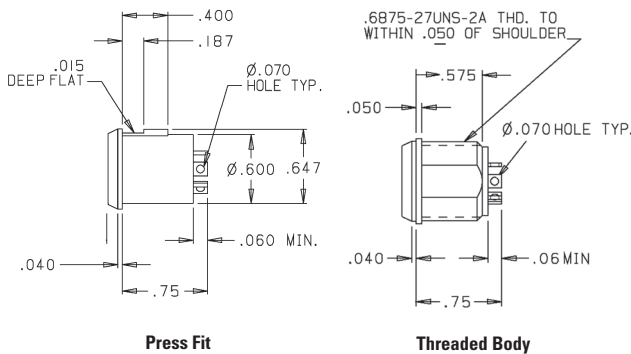
4-WAY PLUS CENTER PUSHBUTTON MINI TRIM, COMMERCIAL & MILITARY GRADES

OTTO Mini Trims are toggle switches available in 2-way, 4-way, 4-way plus pushbutton, and 8-way versions. The T5 Mini Trim is a single pole, 5 throw Center off momentary contact (self return to center off) switch. Numerous button styles are available on both the Commercial and Military grade switch versions. Mini Trims are typically press fit into control grips or panel mounted using versions with an 11/16" threaded case. Mini Trims are also available with multiple sealing levels to fit all applications.

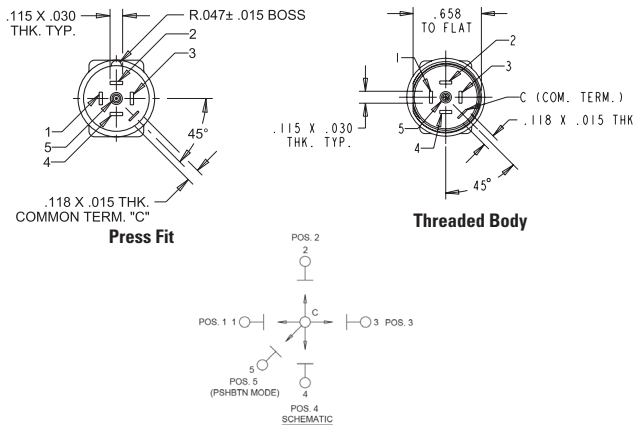


TRIM SWITCHES

Typical Dimensions



T5



Standard Characteristics/Ratings:

ELECTRICAL RATINGS:

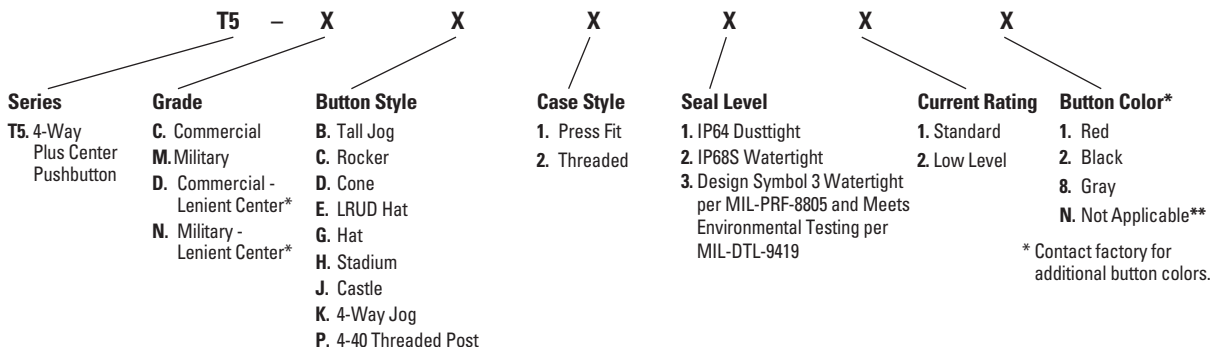
Load	Rating
Resistive	10mA @ 5VDC (low level)
Inductive	1A @ 28VDC
DWV	1050Vrms
Low Level	10mA Resistive @ 5VDC

Electrical Life:	100,000 cycles 1A Inductive @ 28VDC
Lever Travel:	Toggle: 15° max from center OFF Pushbutton: 0.020 inches min
Seal:	IP64 or IP68S or MIL-PRF-8805 Design 3
Operating Temp Range:	-55°C to +85°C
Operating Force:	Toggle: 16 oz +/- 6 oz Pushbutton: 5.0 lbs. max
Lever Pivot & Stop Strength:	Switch is capable of withstanding a force of 25.0 lbs. applied to the actuating button. The button also withstands 15.0 lbs. minimum pull force.

MATERIALS:

Case:	Aluminum alloy or thermoplastic
Button:	Thermoplastic
Terminals:	Silver over brass Brass with gold over silver for low level
Terminal Hardware:	None provided
Mounting Hardware:	Hex nut, tooth lockwasher, panel seal gasket where applicable

T5 MINI TRIM PART NUMBER CODE



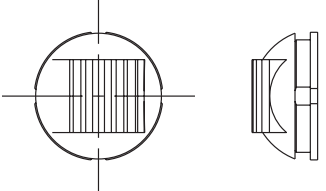
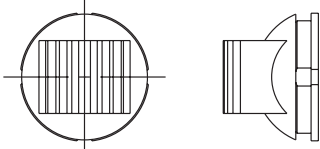
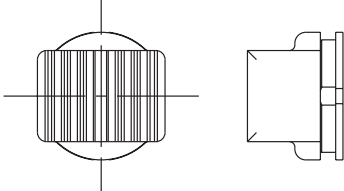
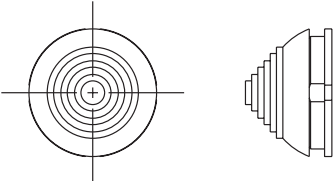
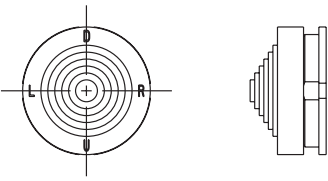
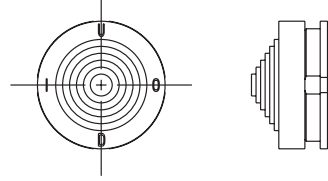
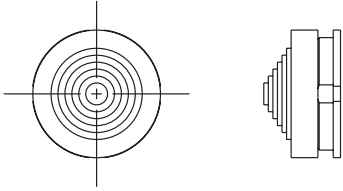
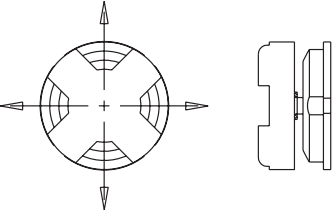
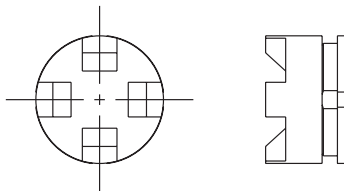
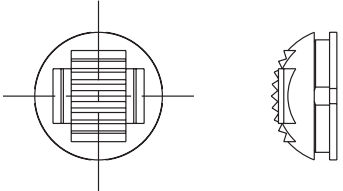
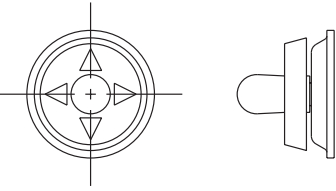
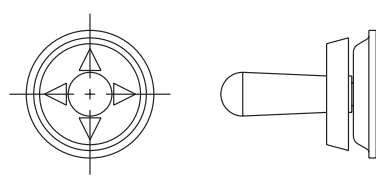
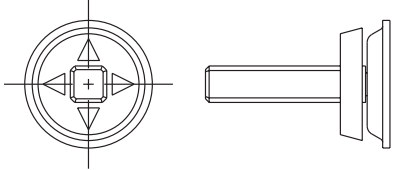
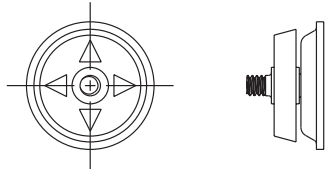
* Wider angle of operation for center pushbutton.

**Use when specifying Button Style P

MINI TRIM BUTTON STYLES

MT
MINI TRIM
BUTTON STYLES

MINI TRIM BUTTON STYLES

<p>A - 2-WAY JOG</p> 	<p>B - TALL JOG</p> 	<p>C - ROCKER</p> 
<p>D - CONE</p> 	<p>E - LRUD HAT</p> 	<p>F - IOUD HAT</p> 
<p>G - HAT</p> 	<p>H - STADIUM</p> 	<p>J - CASTLE</p> 
<p>K - 4-WAY JOG</p> 	<p>L - SHORT BAT</p> 	<p>M - LONG BAT</p> 
<p>N - POST</p> 	<p>P - 4-40 THREADED POST</p> 	

TRIM SWITCHES

X-ON Electronics

Largest Supplier of Electrical and Electronic Components

Click to view similar products for [Multi-Directional Switches](#) category:

Click to view products by [OTTO](#) manufacturer:

Other Similar products are found below :

[MJTP1109AL](#) [RA3CSH6A](#) [APTCFVTR](#) [SRBE210100](#) [T5-NH1118](#) [RKJXW1014002](#) [RKJXW2014001](#) [TSWA-3N-CUP2-LFS](#) [3J2015-200](#)
[T2-0018](#) [T5-CK2212](#) [CS41001E](#) [RKJXK122000D](#) [RKJXK122400Y](#) [RKJXL100401V](#) [RKJXM2E13001](#) [RKJXM2E13004](#) [RKJXS1004001](#)
[RKJXT1F42001](#) [RKJXV1224005](#) [RKJXY100000A](#) [SKRHAAE010](#) [SKRHABE010](#) [SKRHACE010](#) [SKRHADE010](#) [SLLB120100](#)
[SLLB120200](#) [SLLB120300](#) [SLLB510100](#) [SLLB510200](#) [SLLB520100](#) [SRBE110301](#) [SRBE210200](#) [AMPTFP2VTR](#) [D16202](#) [PHAP4383V](#)
[3302](#) [7G5002C0003](#) [QSA2S3.5NH3G7](#) [PLJG2-G-V-T/R](#) [PLMG5-GH-V-T/R](#) [RKJXU1210006](#) [SKRHADE011](#) [T4-0010](#) [2200-000301](#)
[5D001-BKKKKKAWXWXWXWX-W200](#) [RKJXM1015004](#) [RKJXV1220001](#) [SLLB310300](#) [SLLB310500](#)