

SHORTER, LOGIC LEVEL TACTILE MINI TRIM

LOGIC LEVEL 4-WAY OR 4-WAY PLUS CENTER PUSHBUTTON TACTILE MINI TRIM

TK with
Molex ConnectorTK with
Wire Leads
(Coming Soon)

The TK Mini Trim is a tactile, 4-way, logic level, momentary contact switch with a center pushbutton option designed to fit easily in grips and control panels. The TK's shorter behind panel length is nearly 2/10" shorter than OTTO's traditional T4-T Mini Trim allowing for increased functionality and efficiency in any application.

The TK offers three panel sealing level choices: unsealed, dusttight to IP64, or watertight to IP68S.

The TK is a tactile switch which offers the operator a positive click action indicating actuation, and is ideal for grip applications in aircraft, off-road and material handling.

Features:

- Logic level, normally open
- Shorter behind panel
- 4-way or 4-way with center pushbutton momentary toggle action
- Positive click action indicates actuation
- Panel sealed to IP64, IP68S or unsealed
- Wire leads or Molex connector
- RoHS compliant

Standard Characteristics/Ratings:

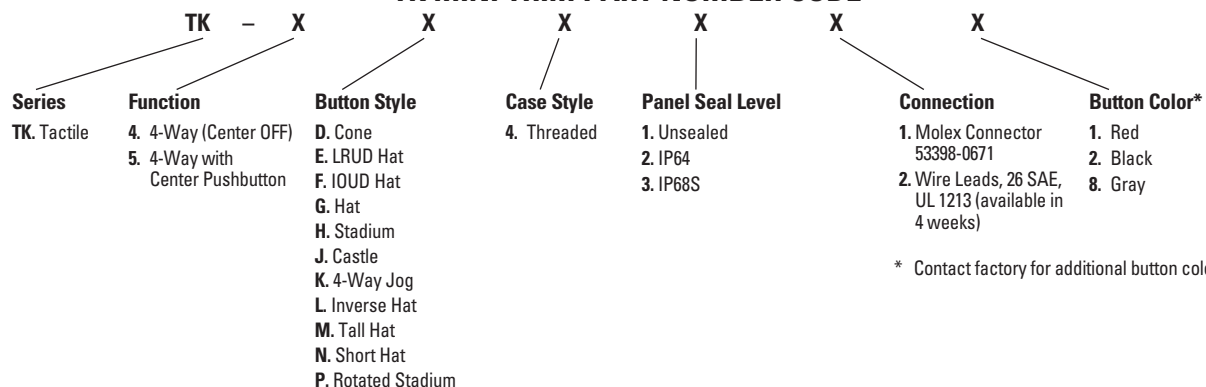
ELECTRICAL RATINGS:

Load	Rating
Resistive	50mA max @ 12VDC
Electrical Life:	1,000,000 cycles
Mechanical Life:	1,000,000 cycles
Seal:	IP64, IP68S or unsealed
Operating Temp Range:	-40°C to +85°C
Operating Force:	1.0 lb. +/- 0.5 lb.
Total Travel Angle:	18° +/- 4°
Pushbutton Operating Force:	1.5 lb. +/- 0.5 lb.
Total Pushbutton Travel:	.05 lb. +/- .02 lb.
Max. Allowable Force:	22 lbs. in any direction

MATERIALS:

Case:	Thermoplastic, black
Button:	Thermoplastic
Bellows:	Black silicone
Connection:	Connector or wire leads
Mounting Hardware:	Hex nut

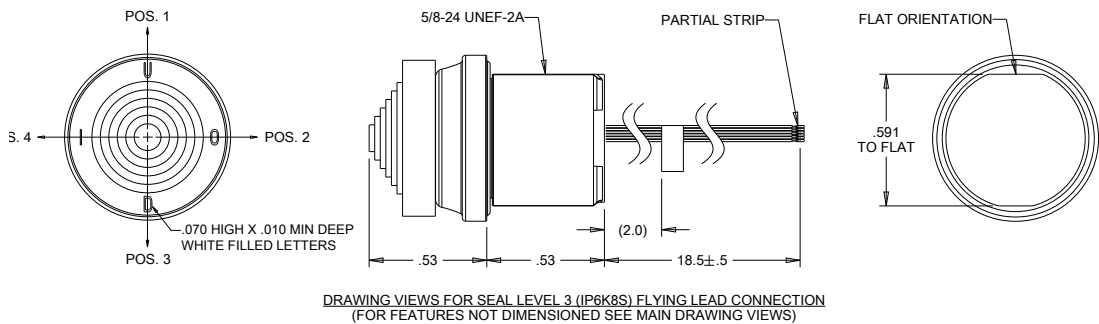
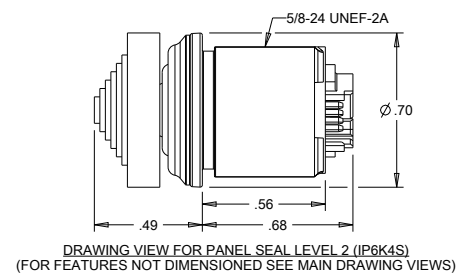
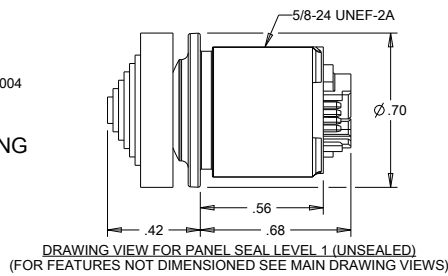
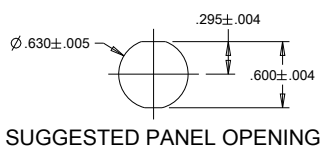
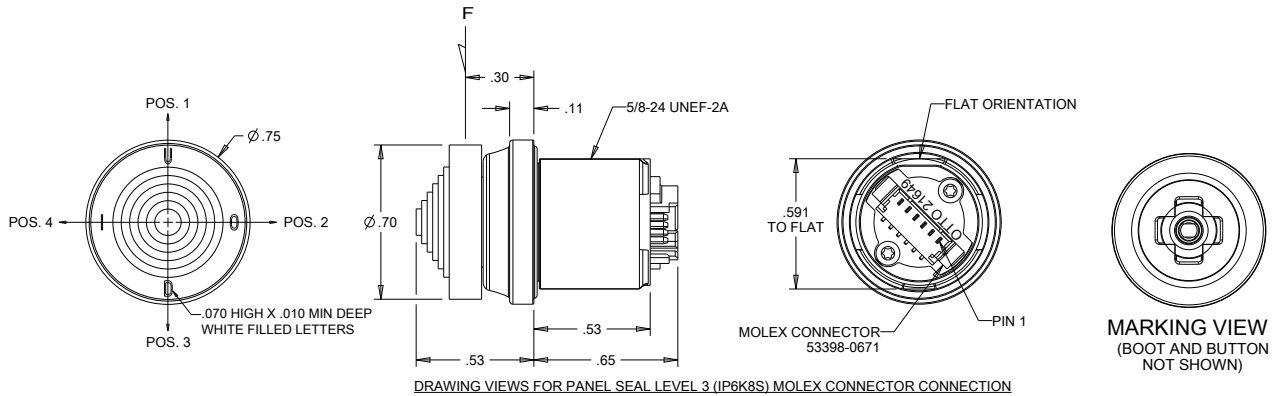
TK MINI TRIM PART NUMBER CODE



* Contact factory for additional button colors.

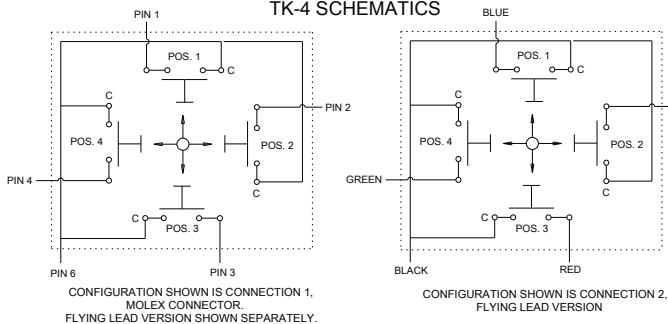
TK Mini Trim Button Styles are shown on the Button Styles page and in the appendix.

LOGIC LEVEL 4-WAY OR 4-WAY PLUS CENTER PUSHBUTTON TACTILE MINI TRIM

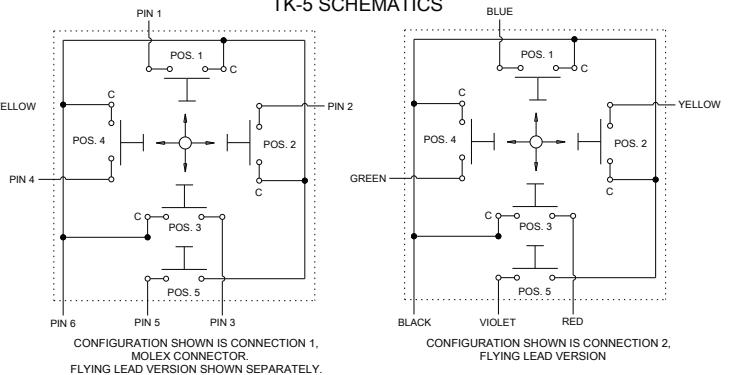


TK Series Schematics

TK-4 SCHEMATICS



TK-5 SCHEMATICS



X-ON Electronics

Largest Supplier of Electrical and Electronic Components

Click to view similar products for [Multi-Directional Switches](#) category:

Click to view products by [OTTO](#) manufacturer:

Other Similar products are found below :

[MJTP1109AL](#) [RA3CSH6A](#) [APTCFVTR](#) [SRBE210100](#) [T5-NH1118](#) [RKJXW1014002](#) [RKJXW2014001](#) [TSWA-3N-CUP2-LFS](#) [3J2015-200](#)
[T2-0018](#) [T5-CK2212](#) [CS41001E](#) [RKJXK122000D](#) [RKJXK122400Y](#) [RKJXL100401V](#) [RKJXM2E13001](#) [RKJXM2E13004](#) [RKJXS1004001](#)
[RKJXT1F42001](#) [RKJXV1224005](#) [RKJXY100000A](#) [SKRHAAE010](#) [SKRHABE010](#) [SKRHACE010](#) [SKRHADE010](#) [SLLB120100](#)
[SLLB120200](#) [SLLB120300](#) [SLLB510100](#) [SLLB510200](#) [SLLB520100](#) [SRBE110301](#) [SRBE210200](#) [AMPTFP2VTR](#) [D16202](#) [PHAP4383V](#)
[3302](#) [7G5002C0003](#) [QSA2S3.5NH3G7](#) [PLJG2-G-V-T/R](#) [PLMG5-GH-V-T/R](#) [RKJXU1210006](#) [SKRHADE011](#) [T4-0010](#) [2200-000301](#)
[5D001-BKKKKKAWXWXWXWX-W200](#) [RKJXM1015004](#) [RKJXV1220001](#) [SLLB310300](#) [SLLB310500](#)