

SHORTER, LOGIC LEVEL TACTILE MINI TRIM

LOGIC LEVEL 4-WAY OR 4-WAY PLUS CENTER PUSHBUTTON TACTILE MINI TRIM

TK with
Molex ConnectorTK with
Wire Leads
(Coming Soon)

The TK Mini Trim is a tactile, 4-way, logic level, momentary contact switch with a center pushbutton option designed to fit easily in grips and control panels. The TK's shorter behind panel length is nearly 2/10" shorter than OTTO's traditional T4-T Mini Trim allowing for increased functionality and efficiency in any application.

The TK offers three panel sealing level choices: unsealed, dusttight to IP64, or watertight to IP68S.

The TK is a tactile switch which offers the operator a positive click action indicating actuation, and is ideal for grip applications in aircraft, off-road and material handling.

Features:

- Logic level, normally open
- Shorter behind panel
- 4-way or 4-way with center pushbutton momentary toggle action
- Positive click action indicates actuation
- Panel sealed to IP64, IP68S or unsealed
- Wire leads or Molex connector
- RoHS compliant

Standard Characteristics/Ratings:

ELECTRICAL RATINGS:

Load	Rating
Resistive	50mA max @ 12VDC
Electrical Life:	1,000,000 cycles
Mechanical Life:	1,000,000 cycles
Seal:	IP64, IP68S or unsealed
Operating Temp Range:	-40°C to +85°C
Operating Force:	1.0 lb. +/- 0.5 lb.
Total Travel Angle:	18° +/- 4°
Pushbutton Operating Force:	1.5 lb. +/- 0.5 lb.
Total Pushbutton Travel:	.05 lb. +/- .02 lb.
Max. Allowable Force:	22 lbs. in any direction

MATERIALS:

Case:	Thermoplastic, black
Button:	Thermoplastic
Bellows:	Black silicone
Connection:	Connector or wire leads
Mounting Hardware:	Hex nut

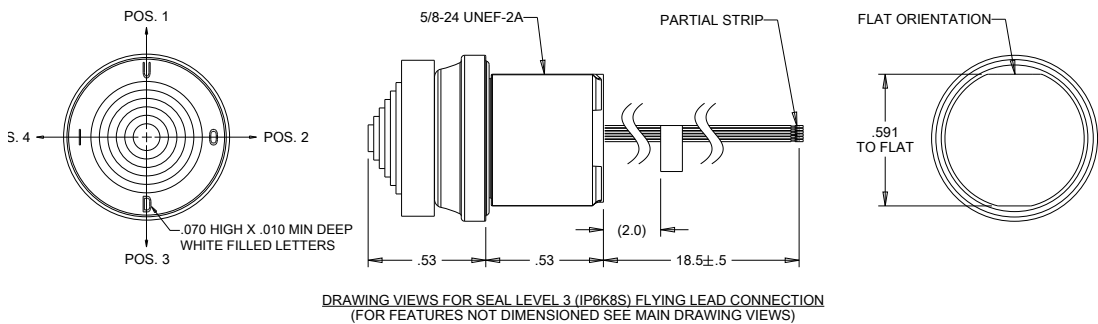
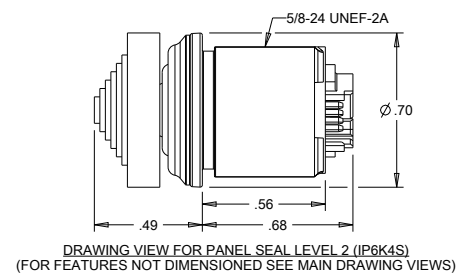
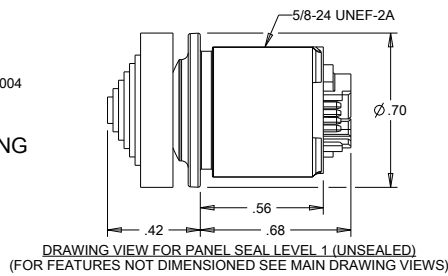
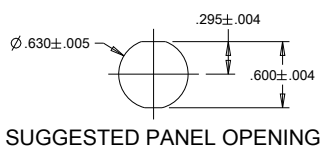
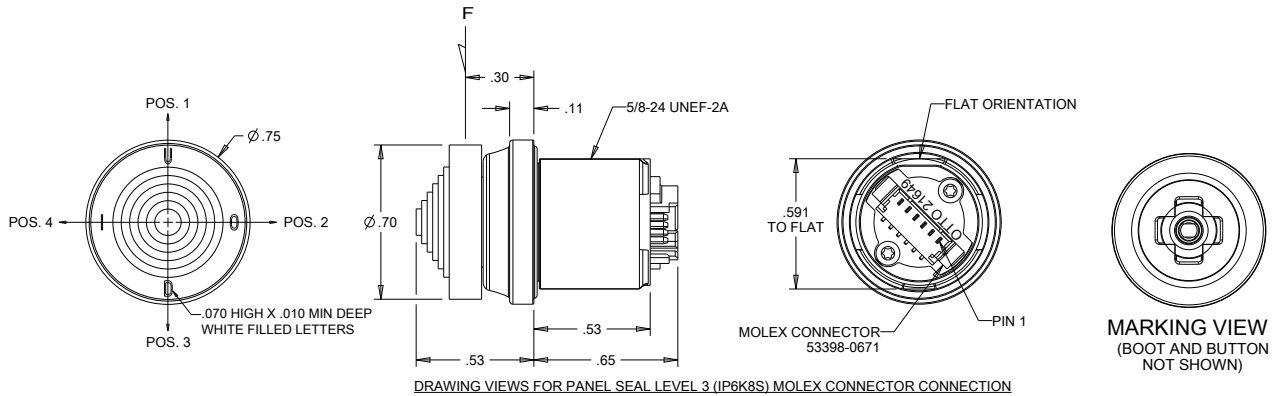
TK MINI TRIM PART NUMBER CODE

Series	Function	Button Style	Case Style	Panel Seal Level	Connection	Button Color*
TK. Tactile	4. 4-Way (Center OFF) 5. 4-Way with Center Pushbutton	D. Cone E. LRUD Hat F. IOUD Hat G. Hat H. Stadium J. Castle K. 4-Way Jog L. Inverse Hat M. Tall Hat N. Short Hat P. Rotated Stadium	4. Threaded	1. Unsealed 2. IP64 3. IP68S	1. Molex Connector 53398-0671 2. Wire Leads, 26 SAE, UL 1213 (available in 4 weeks)	1. Red 2. Black 8. Gray

* Contact factory for additional button colors.

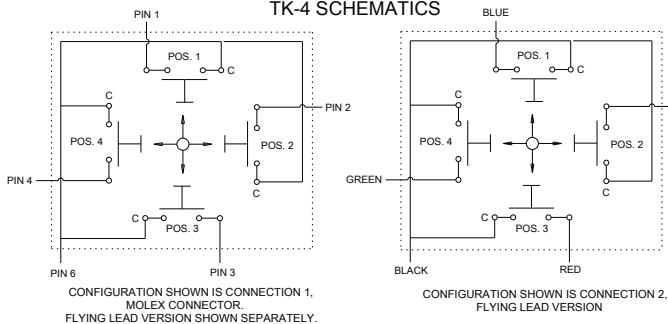
TK Mini Trim Button Styles are shown on the Button Styles page and in the appendix.

LOGIC LEVEL 4-WAY OR 4-WAY PLUS CENTER PUSHBUTTON TACTILE MINI TRIM

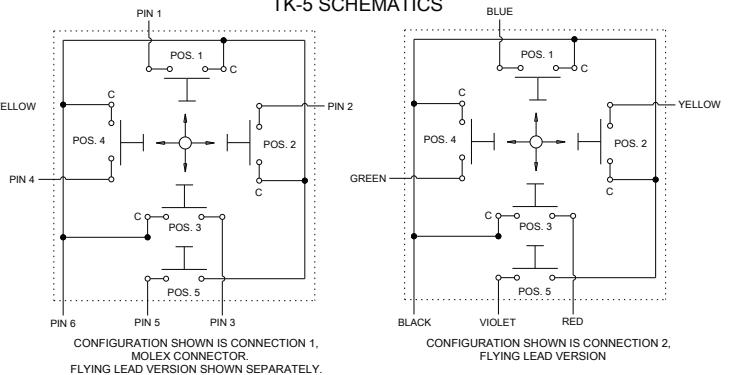


TK Series Schematics

TK-4 SCHEMATICS



TK-5 SCHEMATICS



X-ON Electronics

Largest Supplier of Electrical and Electronic Components

Click to view similar products for [Multi-Directional Switches](#) category:

Click to view products by [OTTO](#) manufacturer:

Other Similar products are found below :

[2200-000301](#) [3302](#) [3J2015-200](#) [5D001-BKKKKKAWXWXWXWX-W200](#) [7G5002C0003](#) [AMPTFP2VTR](#) [APTCFVTR](#) [CONKIT 1 THRO BOARD](#) [CONKIT 3 THRO + MARKING](#) [CS41001E](#) [D16202](#) [JS1300AQ](#) [JS1400BFQ](#) [JS1400BVQ](#) [JS5208](#) [K1-1210UN-01](#) [K1-1501SA-01](#) [K1-1501SA-02](#) [K1-1502SA-01](#) [K1-1502SA-02](#) [K1-1502SA-03](#) [K1-1502SA-04](#) [K1-1504SA-03](#) [K1-1504SA-06](#) [K1-1506DN-01](#) [K1-1506SN-01](#) [K1-1507SA-03](#) [K1-1508SA-03](#) [K1-1511SA-01](#) [K1-1511SA-02](#) [K1-1519SA-01](#) [K1-1519SA-02](#) [K1-1539SA-01](#) [K1-5202UA-01](#) [K1-5202UA-02](#) [K1-5202UA-03](#) [K1-5203UA-01](#) [K1-5203UA-02](#) [KAN0741-0601M1](#) [MJTP1109AL](#) [PHAP4383V](#) [PLJG1-KH-V-T/R](#) [PLJG2-G-V-T/R](#) [PLJG2-KH-V-T/R](#) [PLJG3-KH-V-T/R](#) [PLJG-KH-V-T/R](#) [PLMG5-GH-V-T/R](#) [PT65501L508](#) [QS1](#) [KQS1](#) [BK S C](#) [QS2](#) [KQS1](#) [BK N C](#)