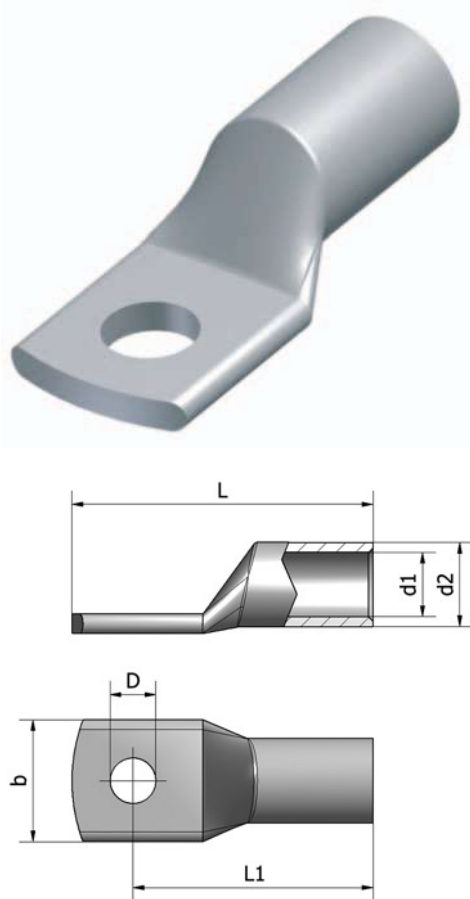


Copper cable lugs

PKD-series

PKD-series cable lugs are compatible with compressed copper wires. Inner and outer dimensions are smaller in size compared to PK-series.



STK code	Product code	Product name	Conductor (mm ²)	D (mm)	L (mm)	L1 (mm)	d1 (mm)	d2 (mm)	b (mm)	Package (pce)
52 012 02	VA02-0006	PKD 10-5	10	5,5	29	23,0	4,5	7,0	11	100
52 012 04	VA02-0007	PKD 10-6	10	6,5	30	23,0	4,5	7,0	11	100
52 012 06	VA02-0008	PKD 10-8	10	8,5	32	24,0	4,5	7,0	13	100
52 012 10	VA02-0009	PKD 16-6	16	6,5	33,5	26,5	5,5	8,5	13	100
52 012 12	VA02-0010	PKD 16-8	16	8,5	35,5	27,5	5,5	8,5	15	100
52 003 74	VA02-0011	PKD 16-10	16	10,5	38,5	29,5	5,5	8,5	16	100
52 003 32	VA02-0012	PKD 16-12	16	12,5	42,5	31,5	5,5	8,5	18	100
52 012 14	VA02-0013	PKD 25-6	25	6,5	37	30,0	7,0	10,0	14	100
52 012 16	VA02-0014	PKD 25-8	25	8,5	38	30,0	7,0	10,0	15	100
52 012 18	VA02-0015	PKD 25-10	25	10,5	42	32,0	7,0	10,0	16	100
52 003 33	VA02-0016	PKD 25-12	25	12,5	46	35,0	7,0	10,0	18	100
52 012 20	VA02-0017	PKD 35-6	35	6,5	41	33,0	8,5	12,0	17	100
52 012 22	VA02-0018	PKD 35-8	35	8,5	42,5	33,5	8,5	12,0	17	100
52 012 24	VA02-0019	PKD 35-10	35	10,5	44	34,0	8,5	12,0	17	100
52 003 34	VA02-0020	PKD 35-12	35	12,5	47,5	36,5	8,5	12,0	19	100
52 012 26	VA02-0021	PKD 50-8	50	8,5	47,5	38,5	10,0	14,0	21	100
52 012 26	VA02-0022	PKD 50-10	50	10,5	49	39,0	10,0	14,0	21	100
52 012 30	VA02-0023	PKD 50-12	50	12,5	52	42,5	10,0	14,0	23	100
52 012 32	VA02-0024	PKD 70-8	70	8,5	52	43,0	12,0	16,5	24	50
52 012 34	VA02-0025	PKD 70-10	70	10,5	53	43,0	12,0	16,5	24	50
52 012 36	VA02-0026	PKD 70-12	70	12,5	56	44,0	12,0	16,5	24	50
52 012 38	VA02-0005	PKD 95-8	95	8,5	60	48,0	13,5	18,0	27	50
52 012 40	VA02-0001	PKD 95-10	95	10,5	60	48,0	13,5	18,0	27	50
52 012 42	VA02-0027	PKD 95-12	95	12,5	60	48,0	13,5	18,0	27	50
52 004 53	VA02-0003	PKD 120-10	120	10,5	69	55	15	19,5	28	25
52 004 54	VA02-0028	PKD 120-12	120	12,5	69	55	15	19,5	28	25
52 004 56	VA02-0029	PKD 120-14	120	14	69	55	15	19,5	28	25
52 004 57	VA02-0030	PKD 150-10	150	10,5	76	60	16,5	21	32	25
52 004 58	VA02-0031	PKD 150-12	150	12,5	76	60	16,5	21	32	25
52 004 59	VA02-0032	PKD 150-14	150	14	76	60	16,5	21	32	25

Customer-specific cable lugs and connectors

We also produce cable lugs and connectors with special requirements. If you can't find connector that satisfies you, we design one for your purpose!!



X-ON Electronics

Largest Supplier of Electrical and Electronic Components

Click to view similar products for [Terminals](#) category:

Click to view products by [Ouneva](#) manufacturer:

Other Similar products are found below :

[00-054007-01074-6](#) [00-054007-70206-1](#) [00-054007-70210-8](#) [00-054007-70217-7](#) [00-054007-70226-9](#) [00-054007-70228-3](#) [00-054007-70248-1](#) [00-054007-70256-6](#) [00-054007-70301-3](#) [00-054007-70316-7](#) [00-054007-49560-4](#) [00-054007-70209-2](#) [00-054007-70225-2](#) [00-054007-70227-6](#) [00-054007-70231-3](#) [00-054007-70241-2](#) [00-054007-70242-9](#) [00-054007-70244-3](#) [00-054007-70246-7](#) [00-054007-70263-4](#) [00-054007-70288-7](#) [00-054007-70290-0](#) [00-054007-70300-6](#) [00-054007-70304-4](#) [01-2065-1-0216](#) [01-2900-1-04412](#) [00581P0075](#) [600TS-10](#) [60205-1](#) [604200-1](#) [605601-1](#) [60598-1-CUT-TAPE](#) [60617-1-C](#) [61314-6-C](#) [61810-3](#) [61-S](#) [626-0194](#) [62-NBM-A](#) [62-SP](#) [63-S](#) [640179-1](#) [M55155/059I03](#) [M55155/079C01](#) [M55155/099H02](#) [M55155/109H01](#) [M55155/109H02](#) [M55155/12XH05](#) [M55155/16XH02](#) [M55155/29-5S](#) [M55155/29XJ08](#)