

Product data

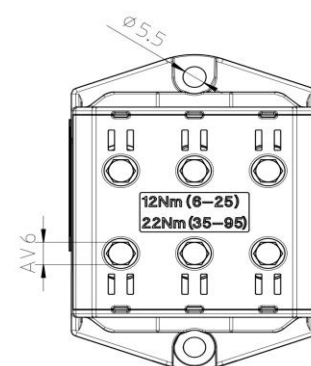
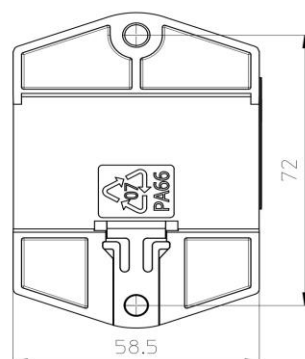
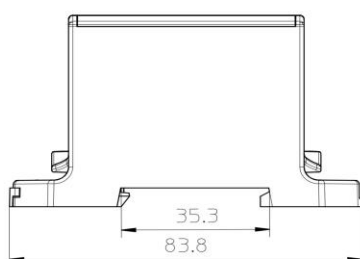
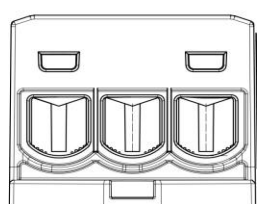
Product code	VC05-0238	STK-code	1912362	EAN-code	6410019123623
Product name	OTL-connector 3xAl/Cu 6-95mm ² (Blue)			ETIM class	EC000276
Wires	3xAl/Cu 6-95mm ²				

Technical data

Nominal current (IEC)	Cu	245	A
	Al	220	A
Nominal voltage (IEC)		1000	V
Max. Current (US)	Cu	230	A
	Al	180	A
Max. Voltage (US)		600	V
Number of poles		1	pcs
Max. Cross section		95	mm ²
Tightening torque			
	6-25 mm ² (3-10 AWG)	12	Nm
	35-95 mm ² (4/0-2 AWG)	22	Nm
		-	
		-	
Max. Operating temperature		80	°C
Weight		178	g
IP-protection		IP20	
Standards	EN 61238-1; EN60947-7-1; UL1059		
Color / Material	Blue RAL 5015/ PA66-V0		
Mounting / Connection	DIN-rail and screw (M5) mounting		


Description

OTL-connectors are designed for connecting and branching aluminium and copper conductors. The body is made of tin plated aluminium. Housing is made of UL94 V0 class polyamide.

Drawing

Package

Package	Box	Pcs / Package	6	Weight [kg]	1,17
Length [mm]	202	Width [mm]	128	Height [mm]	95

Ouneva Oy

Teollisuustie 21
 FI-82730 Tuupovaara
 Finland

Tel. +358 400 179 750
info@ouneva.fi

www.ounevagroup.fi
www.ounevaproducts.fi

X-ON Electronics

Largest Supplier of Electrical and Electronic Components

Click to view similar products for [DIN Rail Terminal Blocks](#) category:

Click to view products by [Ouneva](#) manufacturer:

Other Similar products are found below :

[00110420202](#) [00175550302](#) [CTS25U/BL](#) [9123140000](#) [RBO 5-T-B-HEX](#) [90.070](#) [90.202](#) [912314](#) [260-301_NR](#) [280-560](#) [280-564](#) [281-611/281-542](#) [281-673/281-411](#) [281-994](#) [283-317](#) [283-607](#) [264-724](#) [264-726](#) [280-530](#) [280-555](#) [280-619](#) [281-610](#) [281-622/281-417](#) [284-317](#)
[35956](#) [USK 10](#) [102510](#) [1126840000](#) [5520682](#) [EMH 25-ZE30](#) [1SNK706410R0000](#) [1SNK705210R0000](#) [1SNK705020R0000](#)
[1SNK506066R0000](#) [1SNK506061R0000](#) [1SNK506012R0000](#) [1SNK505060R0000](#) [UM 45-SEFE M.NUT BK](#) [1SNK506013R0000](#)
[1SNK506030R0000](#) [1SNK506062R0000](#) [1SNK506065R0000](#) [1SNK508062R0000](#) [1SNK508065R0000](#) [1SNK508066R0000](#)
[1SNK705010R0000](#) [1SNK705012R0000](#) [1SNK705150R0000](#) [1SNK705152R0000](#) [1SNK705310R0000](#)