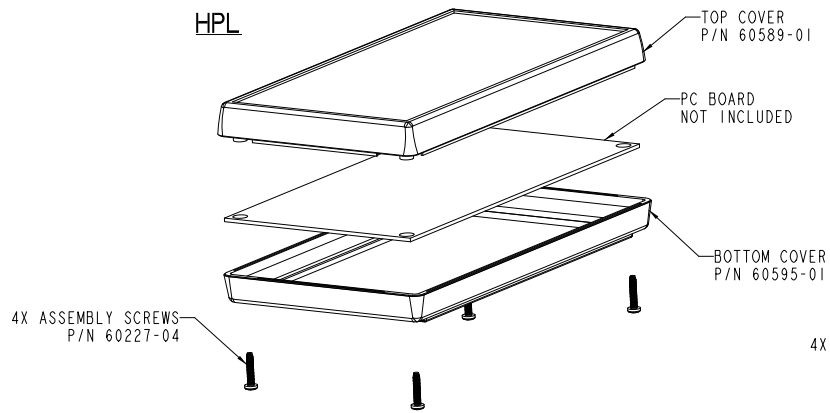
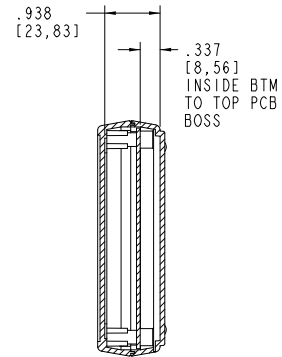
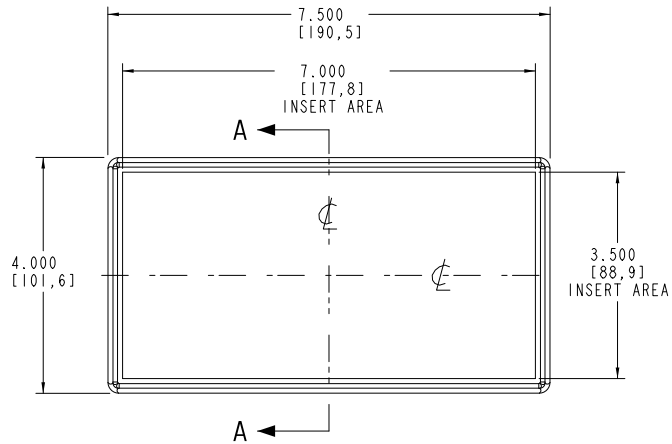
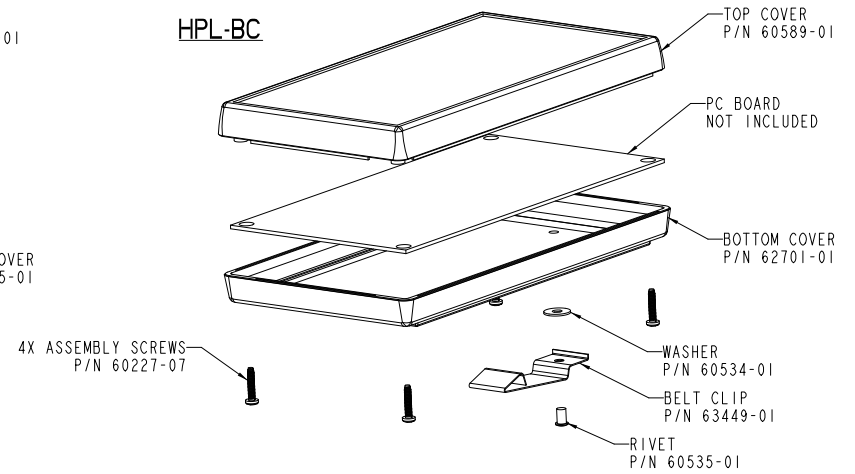


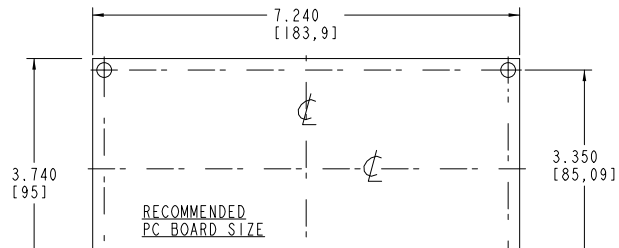
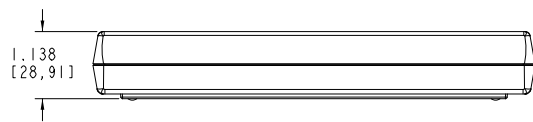
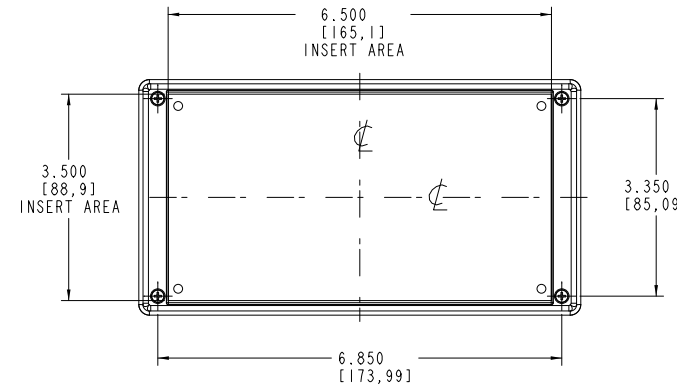
**HPL**



**HPL-BC**



**SECTION A-A**



**PACITEC®**  
1-610-361-4200

**HPL, HPL-BC**

VISIT **PACITEC®**

## **X-ON Electronics**

Largest Supplier of Electrical and Electronic Components

*Click to view similar products for [Enclosures, Boxes & Cases](#) category:*

*Click to view products by [PacTec](#) manufacturer:*

Other Similar products are found below :

[PacTec](#)