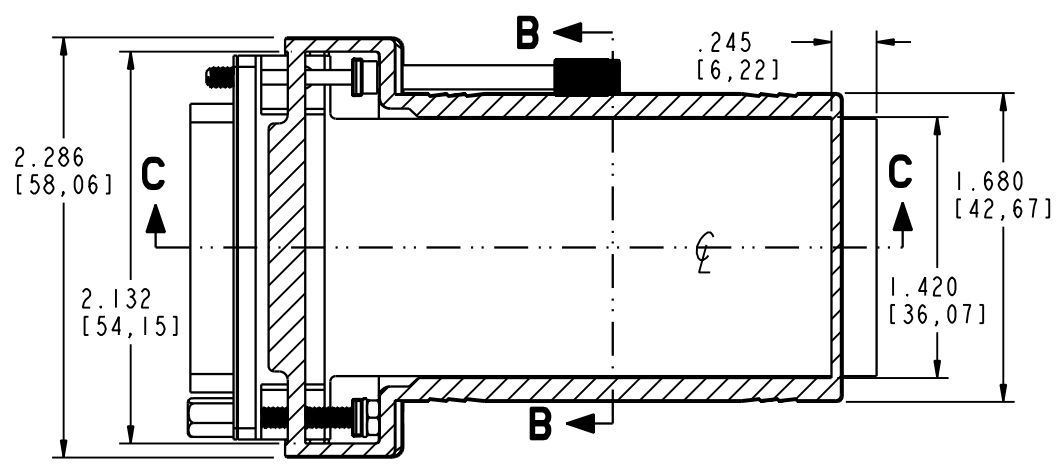
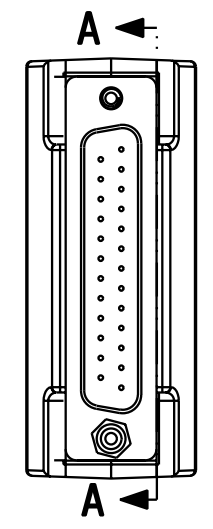
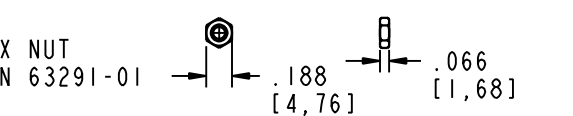
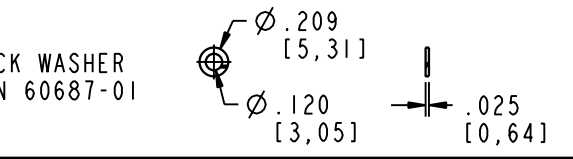
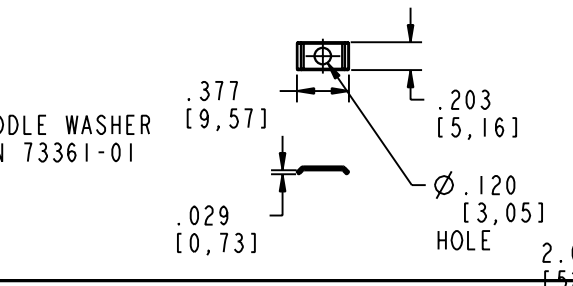
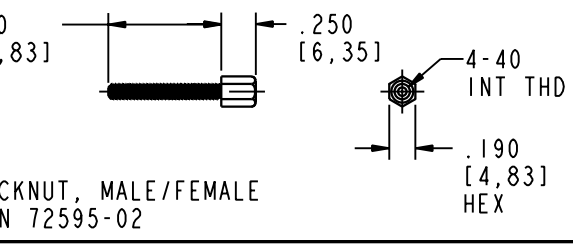
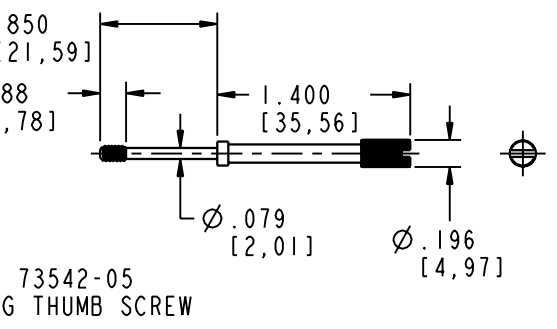
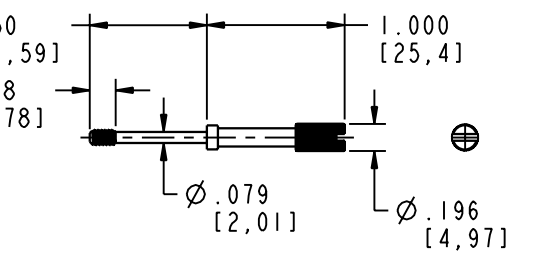
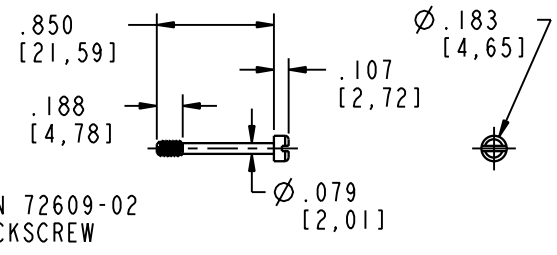
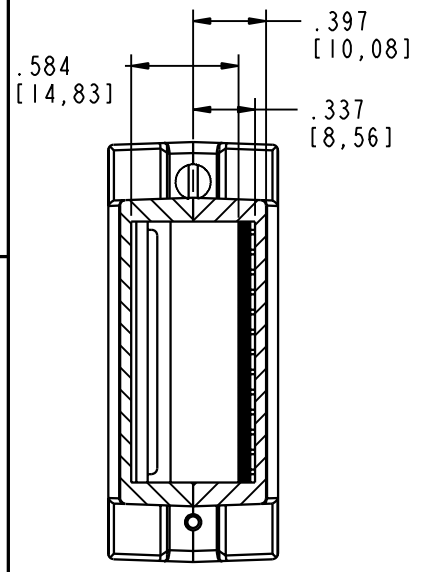


TABLE 2

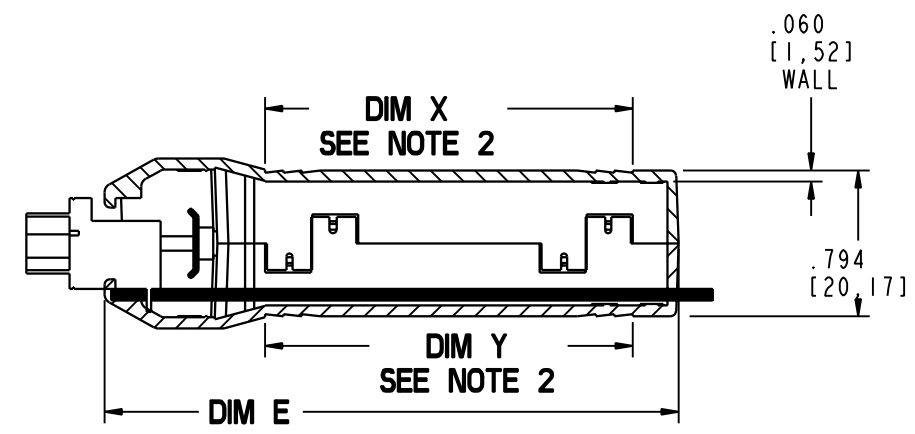
ALL HARDWARE IS 4-40, ALL SCREWS AND THUMB SCREWS ARE CAPTIVE. THE JACK NUT IS NOT CAPTIVE AND THIS ITEM CAN BE THREADED INTO THE HOUSING, OR THE HOLE CAN BE ENLARGED.



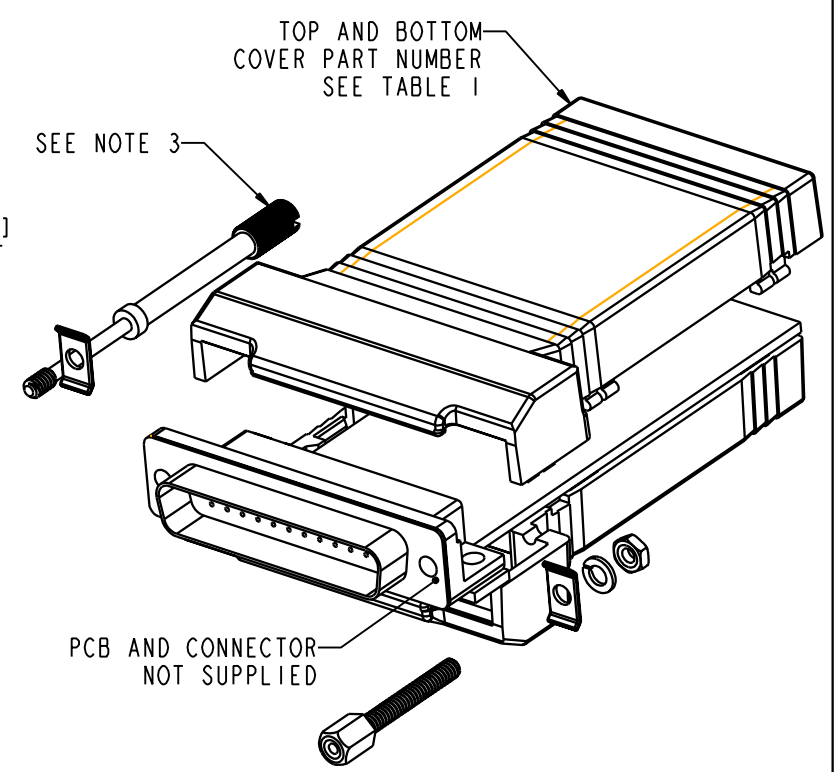
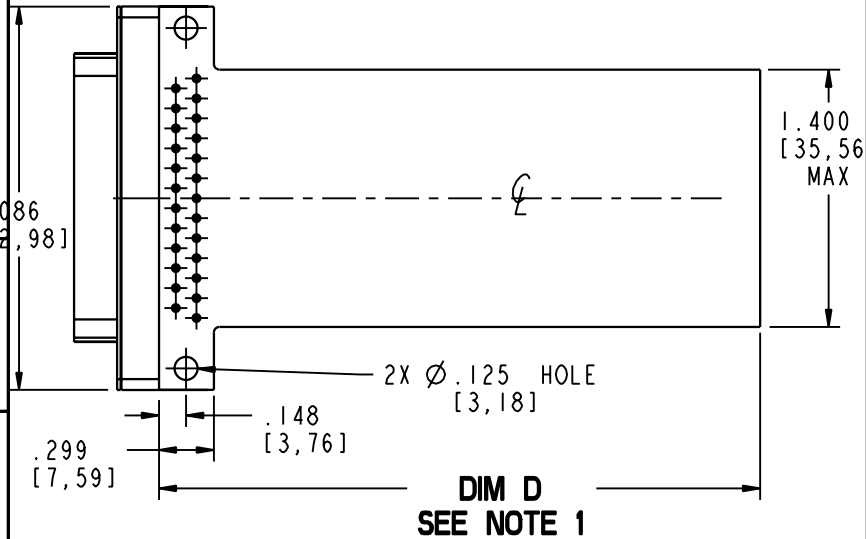
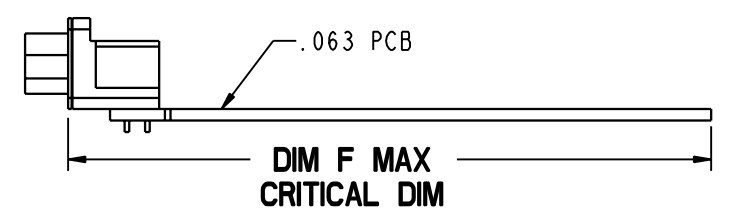
SECTION A-A



SECTION B-B



SECTION C-C



NOTES:

1. ACTUAL PCB LENGTH IS A PRODUCT OF THE CONNECTOR SELECTED.
2. DIM X AND Y ARE TOP AND BOTTOM COVER INSERT AREA X 1.450 [36,83] WIDE.
3. HARDWARE TO BE ORDERED SEPARATE FROM TABLE 2 PER CUSTOMER SPECIFIC REQUIREMENTS.

TABLE 1

CN SIZE	S	M	L
HOUSING PART NUMBER	CNS-0006	CNM-0006	CNL-0006
DIM D PCB SIZE	2.272 [57,71]	2.772 [70,14]	3.272 [83,11]
DIM E OVERALL SIZE	2.624 [66,65]	3.124 [79,35]	3.624 [92,05]
DIM F MAX CRITICAL DIM	2.499 [63,47]	2.999 [76,17]	3.499 [88,87]
DIM X & Y INSERT AREA	1.500 [38,10]	2.000 [50,80]	2.500 [63,50]

DB25 R ANGLE CONNECTOR TO BLANK END

PACINTEC[®]
1-610-361-4231

CN-0006-SERIES
SEE TABLE 1

VISIT **PACINTEC**[®]
ON THE WORLD WIDE WEB
www.pactecenclosures.com

COLOR / MATERIAL CODE		
COLOR	94HB	94VO
BLACK	000	028
P. C. BONE	039	060

X-ON Electronics

Largest Supplier of Electrical and Electronic Components

Click to view similar products for [Mounting Fixings](#) category:

Click to view products by [PacTec](#) manufacturer:

Other Similar products are found below :

[5912235-1 REV](#) - [5912235-2](#) [007541](#) [627](#) [M3783-7001](#) [71-074914-006](#) [71-146610-6H](#) [71-441549-19S](#) [75-69211-3P](#) [75-69214-6P](#) [75-69220-27S](#) [75-69224-5S](#) [7717-8DAP](#) [85047GULPT](#) [85048GBESR](#) [FPK-02-R10](#) [PMS27488-001-01](#) [1-18023-0](#) [H-118-2](#) [D83999/20WC8SN](#)
[DB1](#) [1302030464](#) [DC31-14W19PN](#) [DC31-14W19PW](#) [DC32-18W32SN](#) [DC36-18-32SW](#) [DC36-18-32SX](#) [DC37-14-19PW](#) [DC37-22-21PX](#)
[1302010957](#) [1302263564](#) [1302340393](#) [1404-0016-78](#) [14540](#) [149331-9811](#) [1561-60](#) [1566](#) [1566](#) [17542](#) [BR16A](#) [HS5659MB98PN](#)
[NT20SATT01](#) [201C5058-01-201 REV E](#) [22594-8](#) [KBB-141](#) [89078GBESR](#) [915060](#) [SF4011-60101](#) [97-CS-50](#) [1671](#)