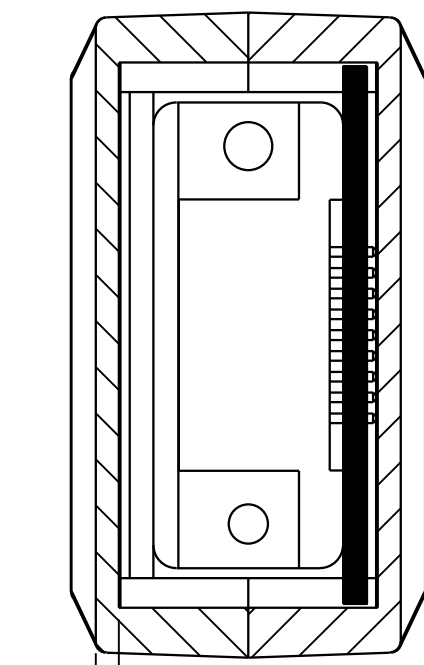
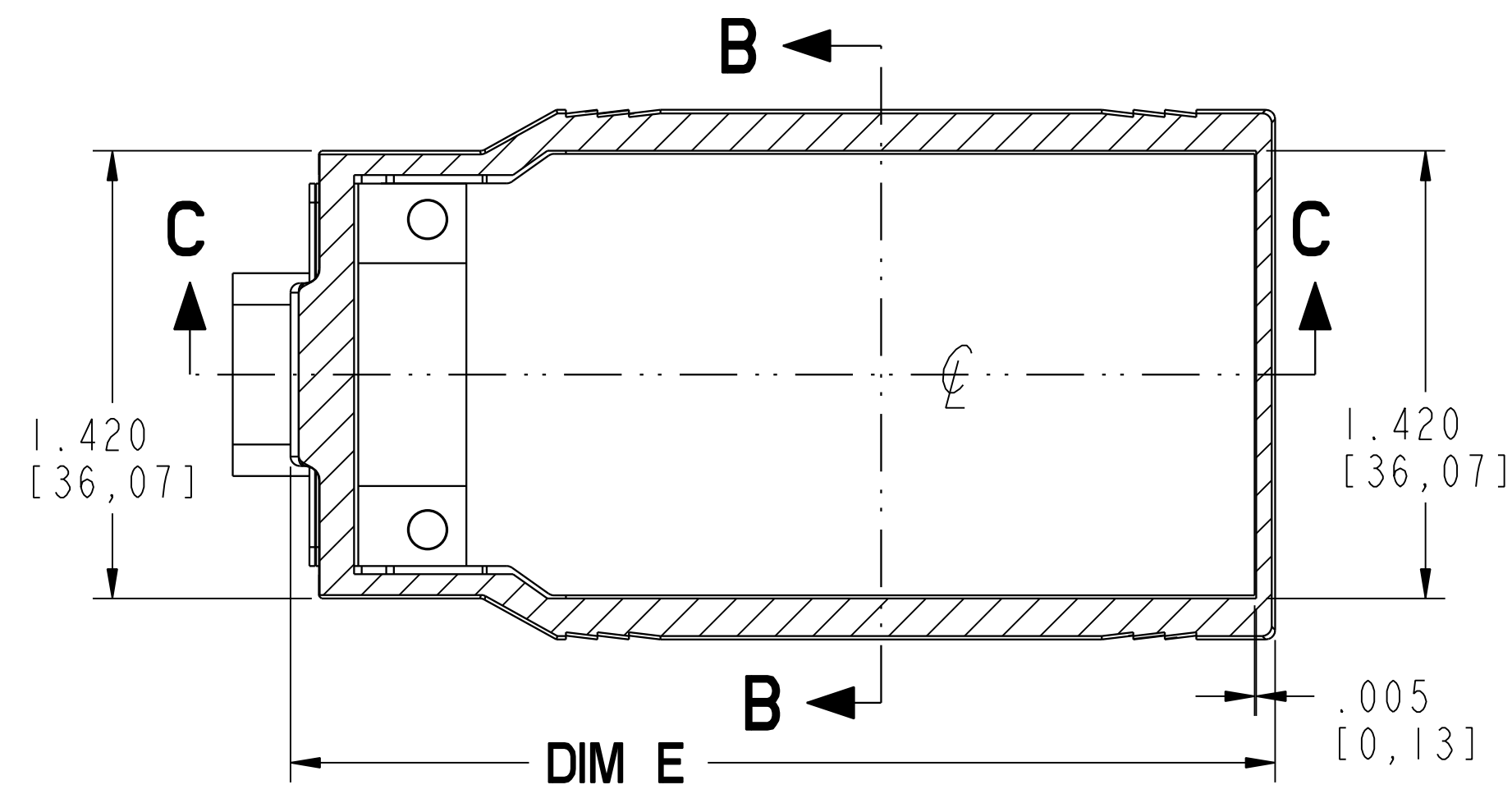


1.266
[32,16]

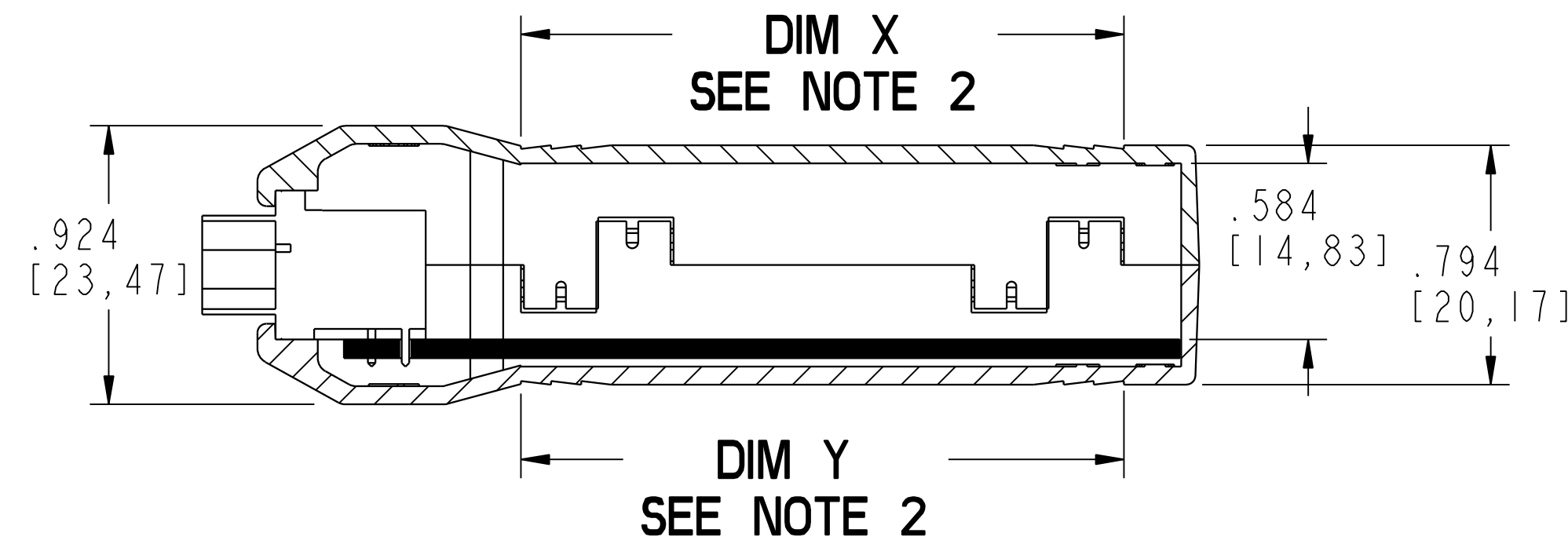
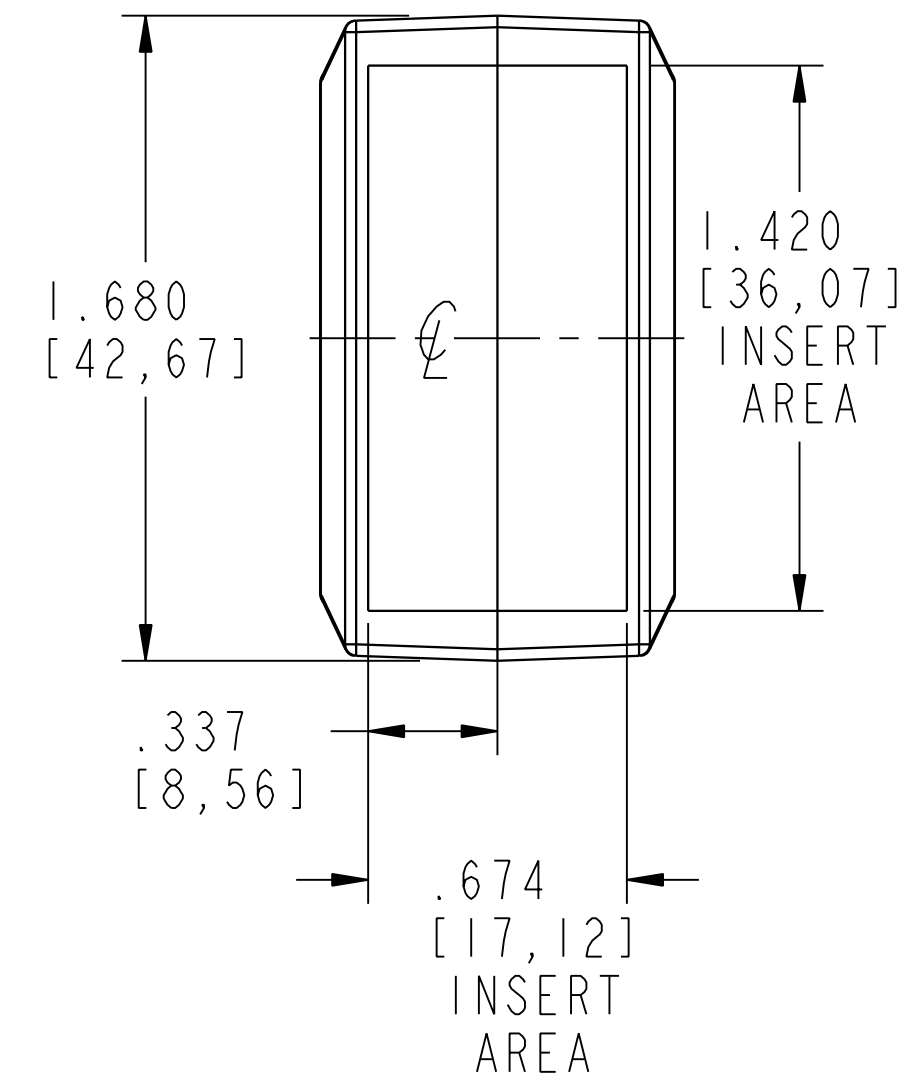


.060
[1,52]
WALL

SECTION B-B

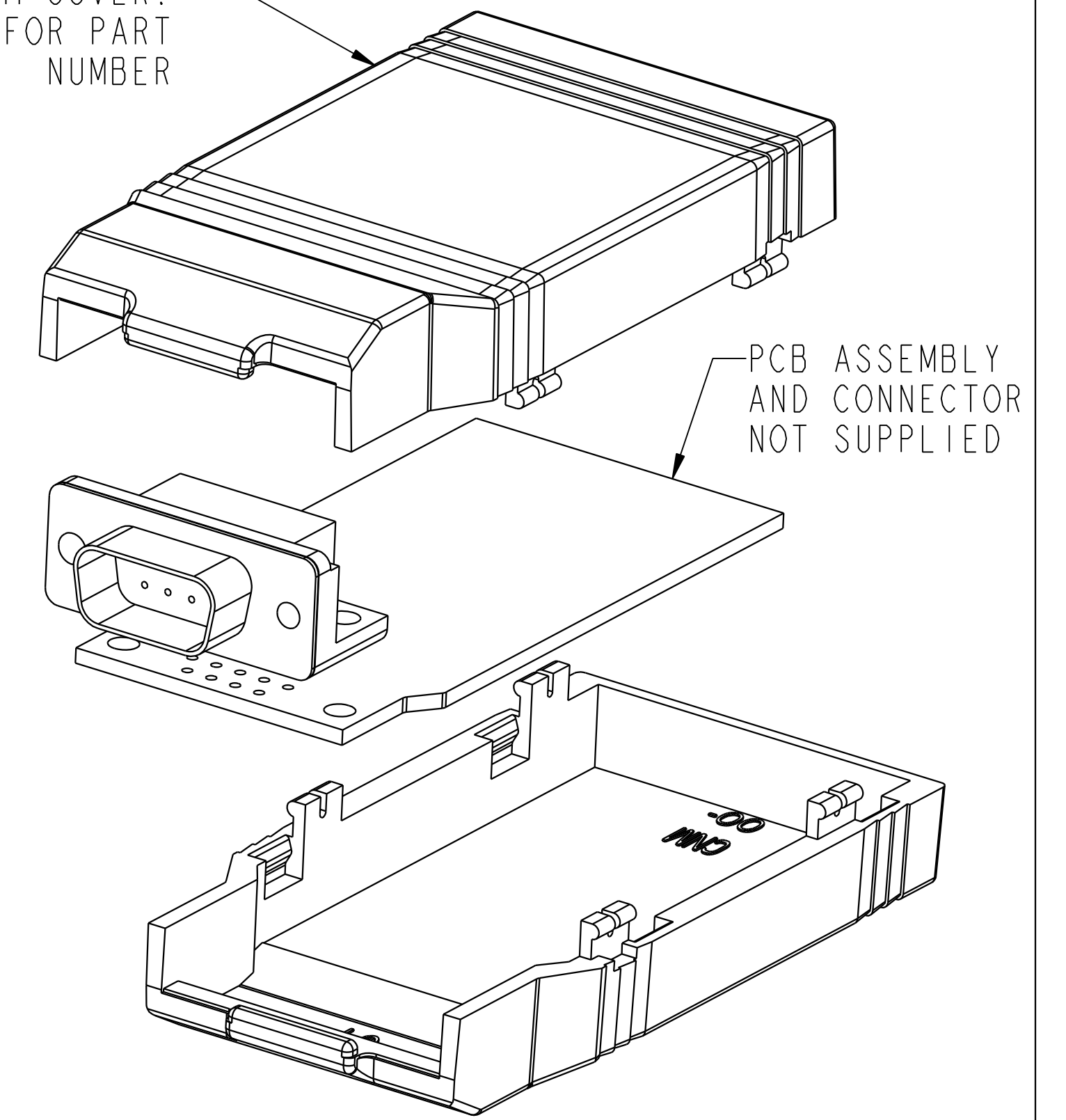


SECTION A-A



SECTION C-C

TOP AND BOTTOM COVER.
SEE TABLE 1 FOR PART
NUMBER



PCB ASSEMBLY
AND CONNECTOR
NOT SUPPLIED

NOTES:

1. ACTUAL PCB LENGTH IS A PRODUCT OF THE CONNECTOR SELECTED.
2. DIM X AND Y ARE TOP AND BOTTOM COVER INSERT AREA X 1.450 [36,83] WIDE.

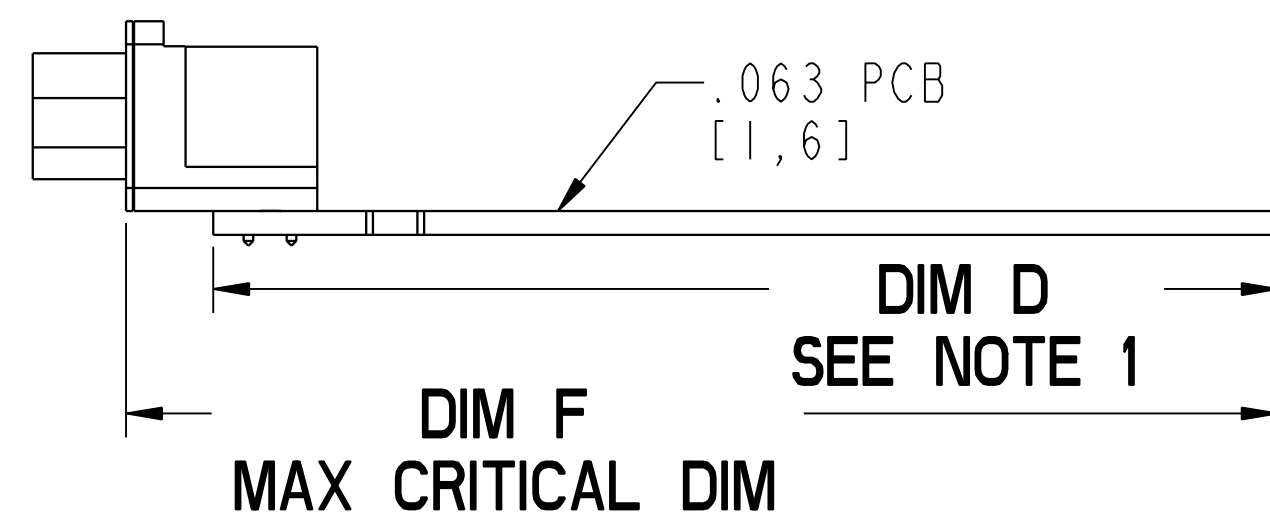
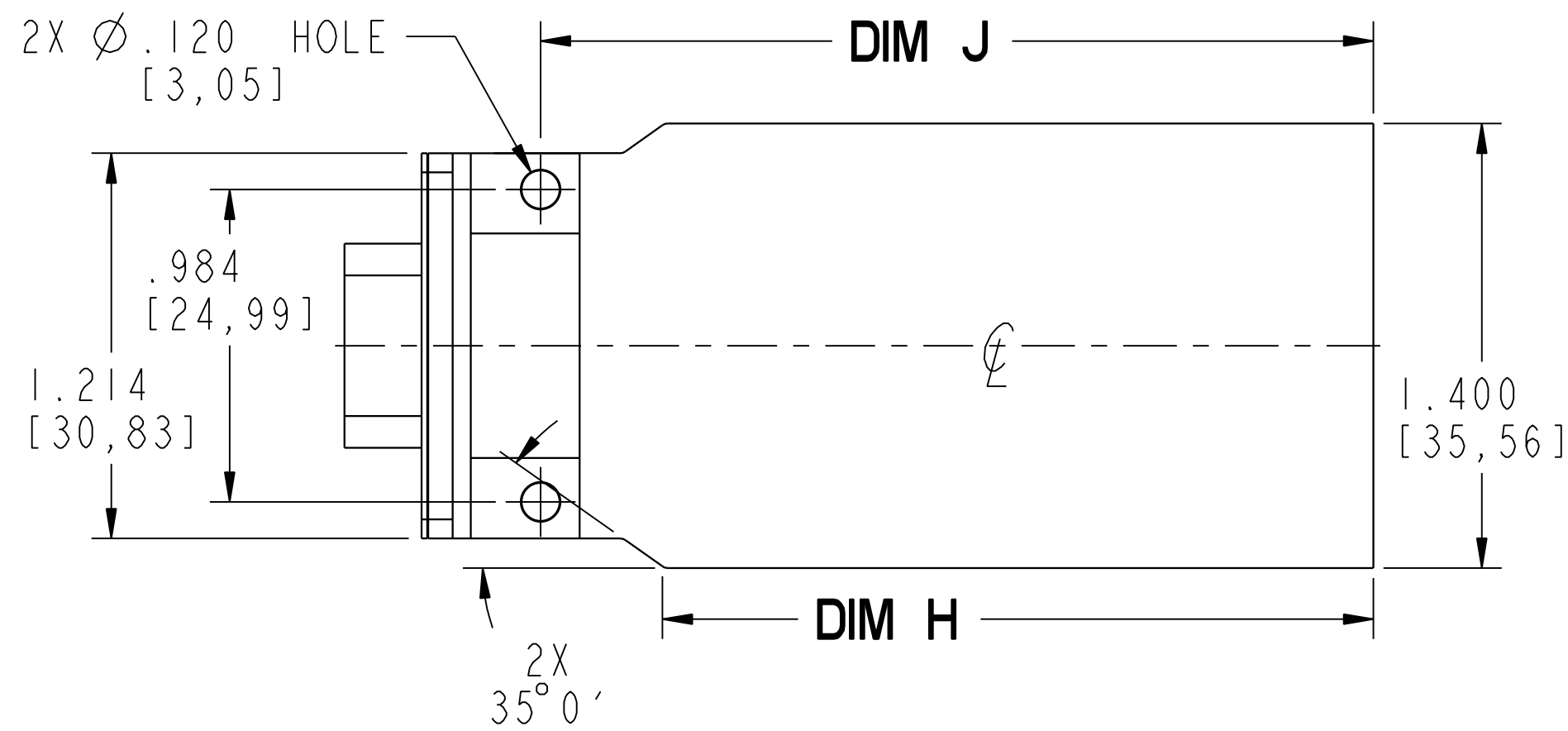


TABLE 1

CN SIZE	S	M	L
HOUSING PART NUMBER	CNS-0004	CNM-0004	CNL-0004
DIM D PCB SIZE	2.272 [57,71]	2.772 [70,41]	3.272 [83,11]
DIM E OVERALL SIZE	2.624 [66,65]	3.124 [79,35]	3.624 [92,05]
DIM F CRITICAL DIM	2.499 [63,47]	2.999 [76,17]	3.499 [88,87]
DIM H	1.740 [44,20]	2.240 [56,90]	2.740 [69,60]
DIM J	2.124 [53,95]	2.624 [66,65]	3.124 [79,35]
DIM X & Y INSERT AREA	1.500 [38,10]	2.000 [50,80]	2.500 [63,50]

DB9 R ANGLE CONNECTOR OR
DB15HD R ANGLE CONNECTOR
TO BLANK END

PACNTEC[®]
1-610-361-4231

CN -0004 SERIES
SEE TABLE 1

VISIT **PACNTEC**[®]
ON THE WORLD WIDE WEB
www.pactecenclosures.com

COLOR / MATERIAL / CODE		
COLOR	94HB	94V-0
BLACK	000	028
PC BONE	039	060

INSERT AREAS ARE SECTIONS IN OUR TOOLS
THAT CAN BE REMOVED AND REPLACED WITH
CUSTOMER SPECIFIC DETAILS

DRAWING NUMBER	REV
79568	D

X-ON Electronics

Largest Supplier of Electrical and Electronic Components

Click to view similar products for [D-Sub Tools & Hardware](#) category:

Click to view products by [PacTec](#) manufacturer:

Other Similar products are found below :

[000-01-09-132](#) [000-01-21-132](#) [000-01-31-162](#) [572019-00105-70](#) [000-01-37-162](#) [621-250-113-115](#) [D110550-2](#) [D20418-137](#) [780-518-50SG6-WS](#) [86552009](#) [86553115TLF](#) [86553117TLF](#) [1230032-1](#) [1-5021101-2](#) [15-000050](#) [1589283-4](#) [160-000-005R031](#) [16-000230](#) [160-025-004R031](#) [160-000-137R000](#) [160-020-209R000](#) [160X10909X](#) [164C03939A](#) [177-505-A-2-2](#) [1-966830-8](#) [21018-6](#) [2-1393560-9](#) [JS-1000](#) [L17D204182M3E](#) [L17D53018](#) [300X10779X](#) [160X10189X](#) [160X10419X](#) [162-000-050R000](#) [21018-5](#) [212561-3](#) [248C21550X](#) [CF15P](#) [QLOCKPOST-2](#) [D110277](#) [500-008NF1K-01](#) [500-008NF3R3KS-01](#) [500-017M09FN](#) [500-017M15MHN](#) [500-024M1](#) [500-068M3](#) [5-1393561-5](#) [C115373-0001](#) [C115373-0002](#) [3342-4-KIT](#)