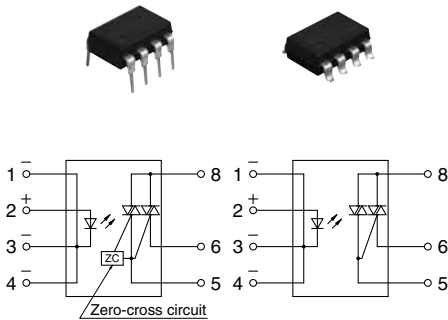




Compact DIP type SSR
Ideal for AC load control

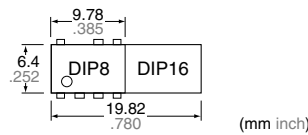
AQ-H RELAYS



RoHS compliant

FEATURES

1. Supports 0.3 A, 0.6 A, 0.9 A and 1.2 A ON-state RMS currents.
2. The 1.2 A type saves space with a DIP 8-pin package.



3. Handles both 100 and 200 Vrms loads

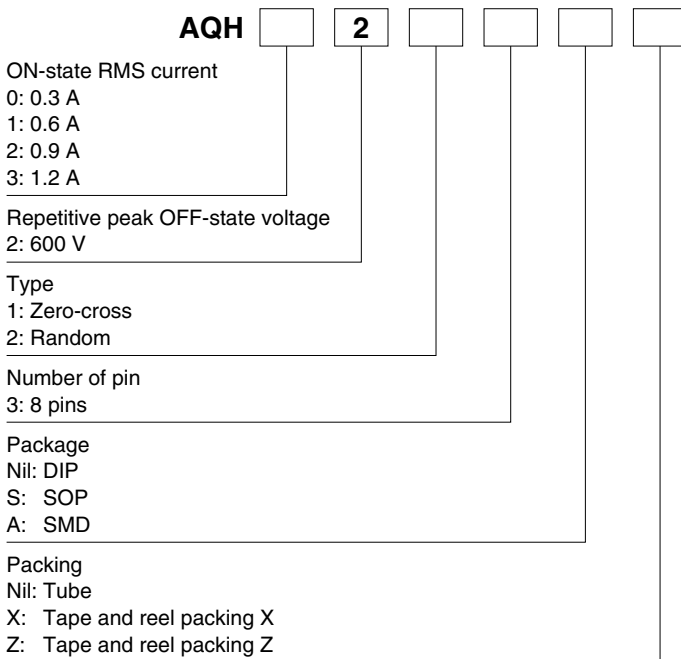
This relay handles both voltages in a single product. It is not necessary for users that use both types to manage separate part numbers.

4. High dielectric strength: 5,000 Vrms (between input and output)
5. Two types available: Zero-cross type and Random type

TYPICAL APPLICATIONS

1. Home appliances (air conditioner, microwave oven, washing machine, personal hygiene system, refrigerator, fan heater, inductive heating cooker, rice cooker and humidifier, etc.)
2. Industrial equipment

ORDERING INFORMATION



TYPES

Type	Output rating*		Type	Part No.				Packing quantity	
				Through hole terminal	Surface-mount terminal			Tube	Tape and reel
	Repetitive peak OFF-state voltage	ON-state RMS current		Tube packing style	Tube packing style	Tape and reel packing style			
				Picked from the 1/2/3/4-pin side	Picked from the 5/6/8-pin side				
AC type	600 V	0.3 A	Zero-cross	AQH0213	AQH0213A	AQH0213AX	AQH0213AZ	1 tube contains 50 pcs. 1 batch contains 500 pcs.	1,000 pcs.
		0.6 A		AQH1213	AQH1213A	AQH1213AX	AQH1213AZ		
		0.9 A		AQH2213	AQH2213A	AQH2213AX	AQH2213AZ		
		1.2 A		AQH3213	AQH3213A	AQH3213AX	AQH3213AZ		
		0.3 A	Random	AQH0223	AQH0223A	AQH0223AX	AQH0223AZ		
		0.6 A		AQH1223	AQH1223A	AQH1223AX	AQH1223AZ		
		0.9 A		AQH2223	AQH2223A	AQH2223AX	AQH2223AZ		
		1.2 A		AQH3223	AQH3223A	AQH3223AX	AQH3223AZ		

* Indicate the repetitive peak OFF-state voltage and ON-state RMS current; peak AC.
 Note: For space reasons, the SMD terminal shape indicator "A" and the package type indicator "X" and "Z" are omitted from the seal.

RATING

1. Absolute maximum ratings (Ambient temperature: 25°C 77°F)

Item	Symbol	AQH0213, AQH0223	AQH1213, AQH1223	AQH2213, AQH2223	AQH3213, AQH3223	Remarks
Input	LED forward current	I _F	50 mA			
	LED reverse voltage	V _R	6 V			
	Peak forward current	I _{FP}	1 A			
Output	Repetitive peak OFF-state voltage	V _{DRM}	600 V			
	ON-state RMS current	I _{T (RMS)}	0.3 A	0.6 A	0.9 A	1.2 A
	Non-repetitive surge current	I _{TSM}	3 A	6 A	9 A	12 A
I/O isolation voltage	V _{iso}	5,000 Vrms				
Operating temperature	T _{opr}	-30 to +85°C -22 to +185°F				Non-condensing at low temperatures
Storage temperature	T _{stg}	-40 to +125°C -40 to +257°F				

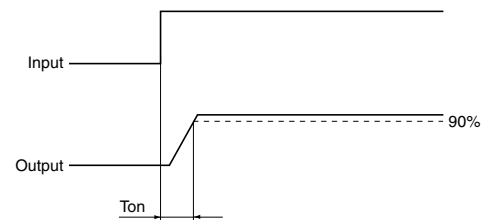
Note: "A", "AX" and "AZ" at the end of the part numbers have been omitted.

2. Characteristics (Ambient temperature: 25°C 77°F)

Item	Symbol	AQH0213, AQH1213, AQH2213, AQH3213	AQH0223, AQH1223, AQH2223, AQH3223	Remarks
Input	LED dropout voltage	Typical	1.21 V	I _F = 20 mA
		Maximum	1.3 V	
	LED reverse current	Typical	—	V _R = 6 V
Maximum		10 μA		
Output	Peak OFF-state current	Typical	—	I _F = 0 mA V _{DRM} = 600 V
		Maximum	100 μA	
	Peak ON-state voltage	Typical	—	I _F = 10 mA I _{TM} = Max.
		Maximum	2.5 V	
Holding current	Typical	—	25 mA	
	Maximum	—		
Critical rate of rise of OFF-state voltage	Minimum	dv/dt	200 V/μs	V _{DRM} = 600 V × 1/√2
Transfer characteristics	Trigger LED current	Maximum	I _{FT}	10 mA V _D = 6 V R _L = 100 Ω
	Zero-cross voltage	Maximum	V _{ZC}	50 V I _F = 10 mA
	Turn on time*1	Maximum	T _{ON}	100 μs I _F = 20 mA V _D = 6 V R _L = 100 Ω
	I/O isolation resistance	Minimum	R _{iso}	50 GΩ 500 V DC

Notes: 1. For type of connection, see "SCHEMATIC AND WIRING DIAGRAMS".
 2. "A", "AX" and "AZ" at the end of the part numbers have been omitted.

***1 Turn on time**



RECOMMENDED OPERATING CONDITIONS

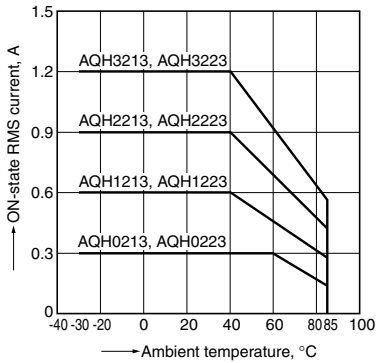
Please use under recommended operating conditions to obtain expected characteristics.

Item	Symbol	Min.	Max.	Unit
Input LED current	I _F	15	25	mA

REFERENCE DATA

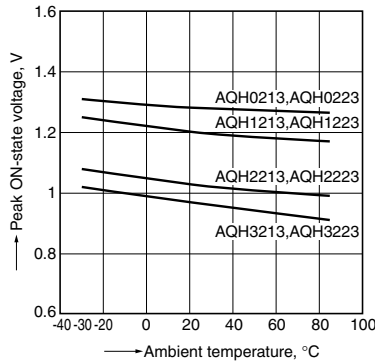
1. ON-state RMS current vs. Ambient temperature characteristics

Allowable ambient temperature:
-30 to +85°C -22 to +185°F



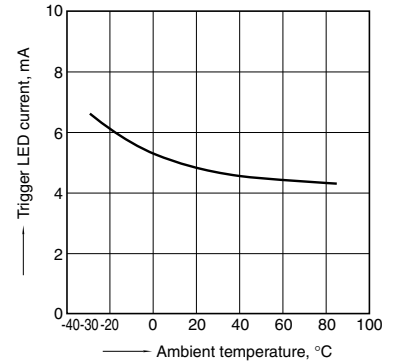
2. Peak ON-state voltage vs. Ambient temperature characteristics

LED current: 10 mA; ON current: Max.
Measured portion: between terminals 6 and 8



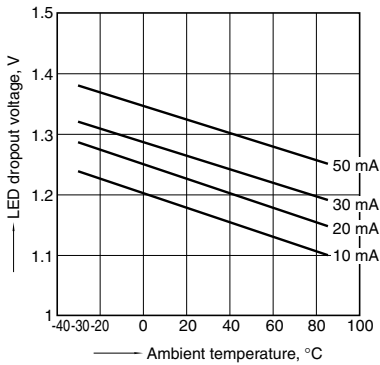
3. Trigger LED current vs. Ambient temperature characteristics

Load voltage: 6 V DC;
Load resistance: 100 Ω



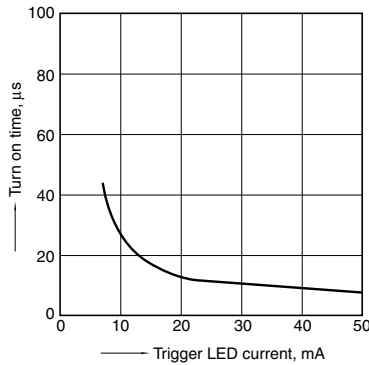
4. LED dropout voltage vs. Ambient temperature characteristics

LED current: 10 to 50 mA



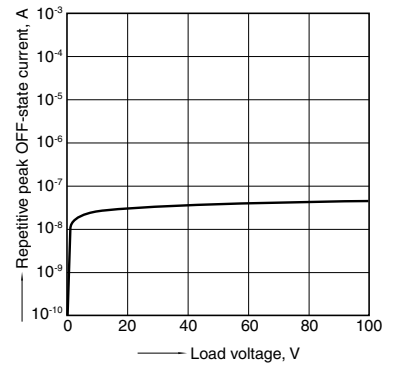
5. Turn on time vs. LED current characteristics

Load voltage: 6 V DC; Load resistance: 100 Ω
Measured portion: between terminals 6 and 8

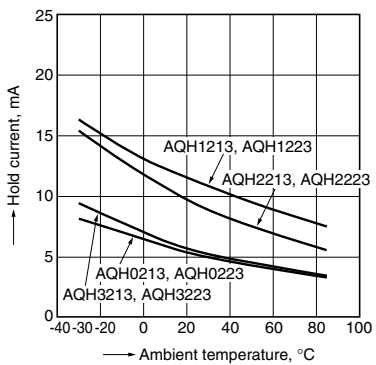


6. Repetitive peak OFF-state current vs. Load voltage characteristics

Ambient temperature: 25°C 77°F; Measured portion: between terminals 6 and 8; LED current: 0 mA

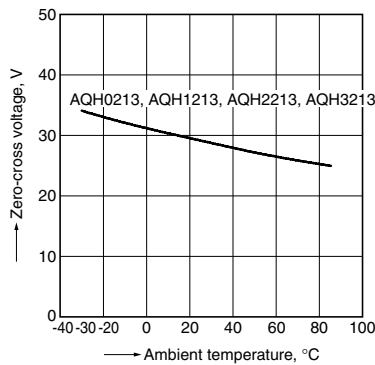


7. Hold current vs. Ambient temperature characteristics



8. Zero-cross voltage vs. Ambient temperature characteristics

LED current: 10 mA



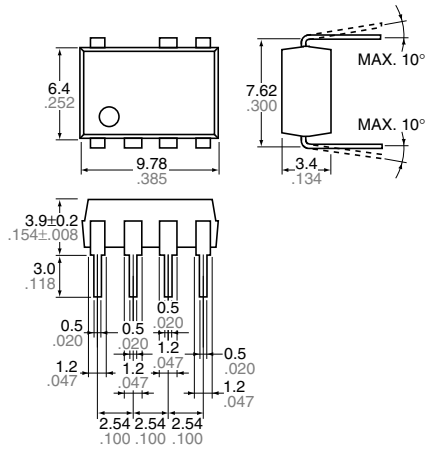
DIMENSIONS (mm inch)

The CAD data of the products with a **CAD** mark can be downloaded from: <https://industrial.panasonic.com/ac/e/>

Through hole terminal type

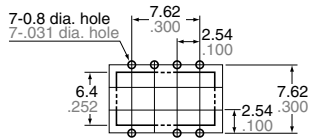
CAD

External dimensions



Terminal thickness: 0.25 .010
General tolerance: ±0.1 ±.004

PC board pattern (BOTTOM VIEW)

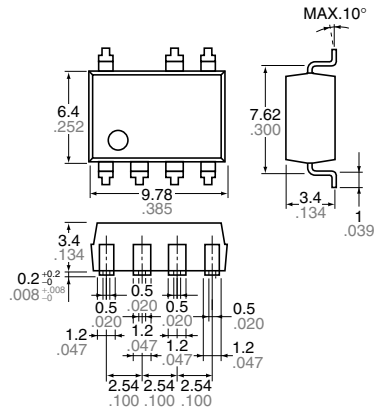


Tolerance: ±0.1 ±.004

Surface mount terminal type

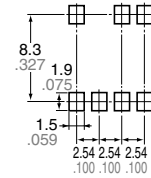
CAD

External dimensions



Terminal thickness: 0.25 .010
General tolerance: ±0.1 ±.004

Recommended mounting pad (TOP VIEW)



Tolerance: ±0.1 ±.004

SCHEMATIC AND WIRING DIAGRAMS

Schematic	Output configuration	Load	Wiring diagram
<p>Zero-cross circuit</p>	1 Form A	AC	
	1 Form A	AC	

Please contact

Panasonic Corporation

Electromechanical Control Business Division

■ 1006, Oaza Kadoma, Kadoma-shi, Osaka 571-8506, Japan
industrial.panasonic.com/ac/e/

Panasonic[®]

©Panasonic Corporation 2018

X-ON Electronics

Largest Supplier of Electrical and Electronic Components

Click to view similar products for [High Speed Optocouplers](#) category:

Click to view products by [Panasonic](#) manufacturer:

Other Similar products are found below :

[6N136F](#) [PS8502L2-AX](#) [ACNW261L-000E](#) [ACPL-344JT-000E](#) [ACPL-K49T-500E](#) [ACPL-K75T-000E](#) [ACPL-W21L-560E](#) [ACPL-K44T-500E](#) [TLP187\(TPL,E\(T](#) [TLP2601\(TP1,F\)](#) [610737H](#) [6N137A-X001](#) [6N137A-X017T](#) [6N139-X007T](#) [HCPL2630M](#) [HCPL2731SM](#) [TLP555\(F\)](#) [HCPL2630SM](#) [PS2841-4A-F3-AX](#) [PS9817A-1-F3-AX](#) [PS9821-2-F3-AX](#) [ORPC-817D](#) [ORPC-817M/C](#) [ORPC-817M/B](#) [PT17-51C/L129\(BIN2\)](#) [TLP521-4GBSM](#) [UMW817C](#) [6N137S1\(TA\)](#) [TLP521GB](#) [TLP521GB-S](#) [PS2501](#) [PS2501-S](#) [TLP785GB](#) [TLP785GB-S](#) [LTV-214-G](#) [TLP2766A\(E](#) [TLP2766A\(LF4,E](#) [LCR-0202](#) [EL814S1\(TA\)-V](#) [PC817X4NSZ2B](#) [CYPC817](#) [OR-MOC3023](#) [TLP267J\(TPL,E\(T](#) [TLP109\(TPL,E\(O](#) [EL2514S1\(TU\)\(CLW\)-G](#) [EL816S2\(C\)\(TU\)-F](#) [EL814S\(A\)\(TU\)](#) [TLP281-4](#) [MOC3023M](#) [ACPL-K49T-060E](#)