
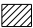
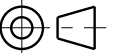
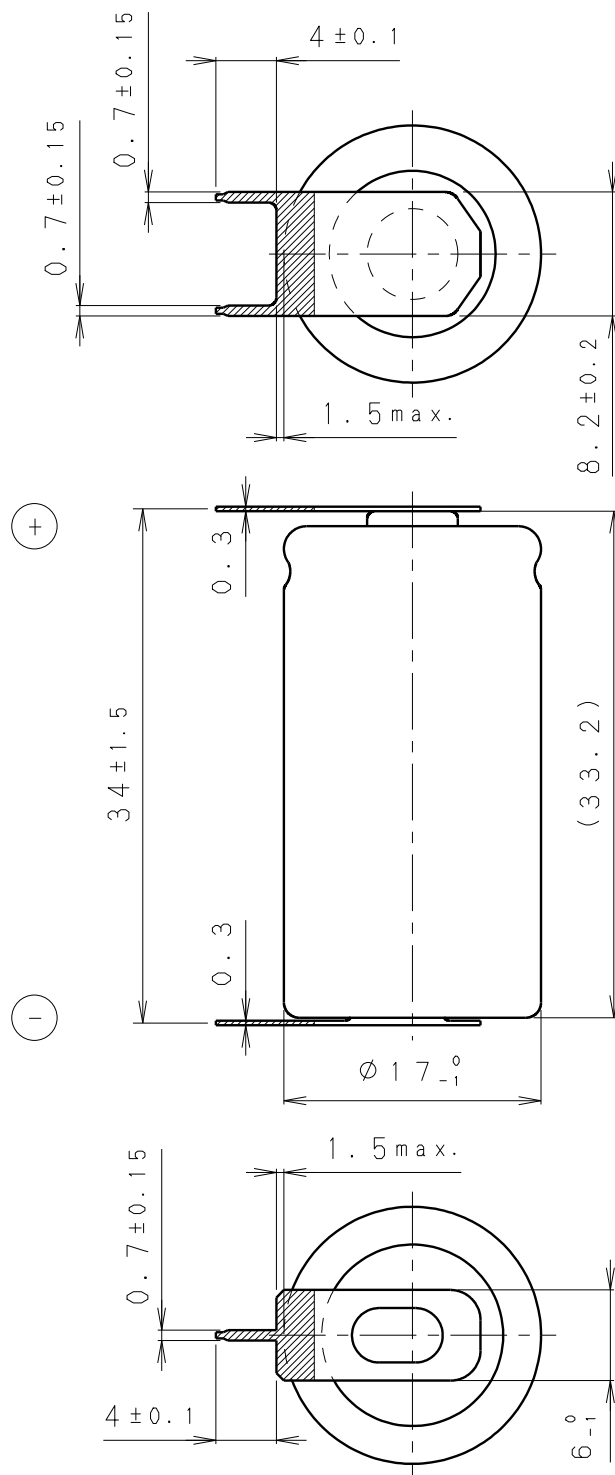




NOTE [注記]

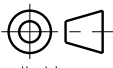
1. TAB PULLING STRENGTH OVER 29.4N
[端子溶接強度：29.4N以上]
2. TAB MATERIAL: STAINLESS STEEL WITH TIN PLATING 
[端子材料：基材 ステンレス/表面 部分Snメッキ 
3. () : REFERENCE DIMENSION AND ANGLE
[() 寸法、角度は参考値]

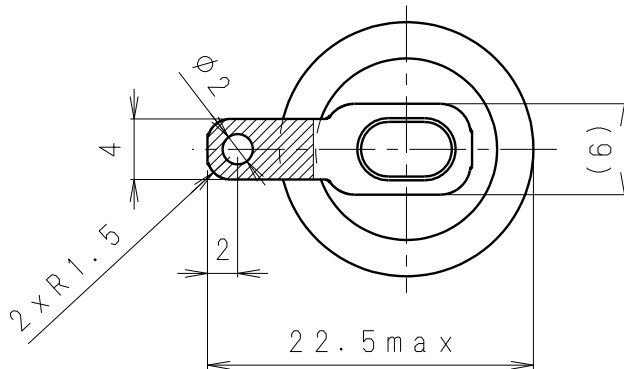
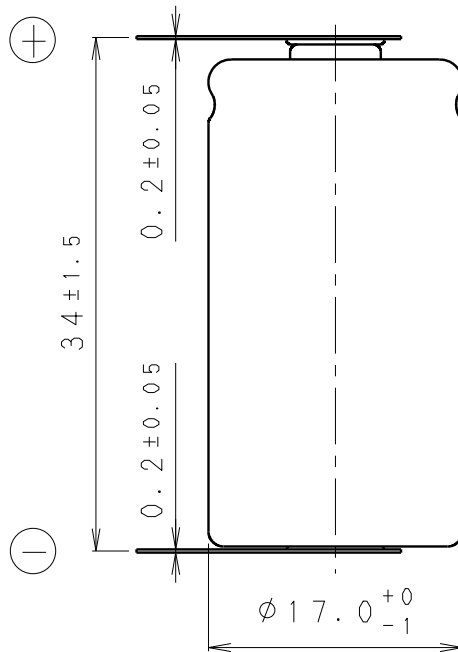
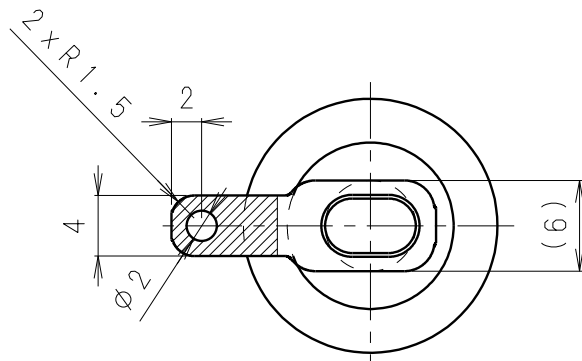
PRODUCT NO.	BR-2/3AE2PN	SCALE	
		2:1	
DRAWING NO.	PC-B23A0441	REV.	
		0	



* Note [注記]

1. Tab pulling Strength Over 30N
[端子溶接強度: 30N以上]
2. Tab Material: Stainless Steel with Tin plating 
[端子材料: 基材 ステンレス/表面 部分Snメッキ 
3. (): Reference dimension and angle
[() 寸法、角度は参考値]

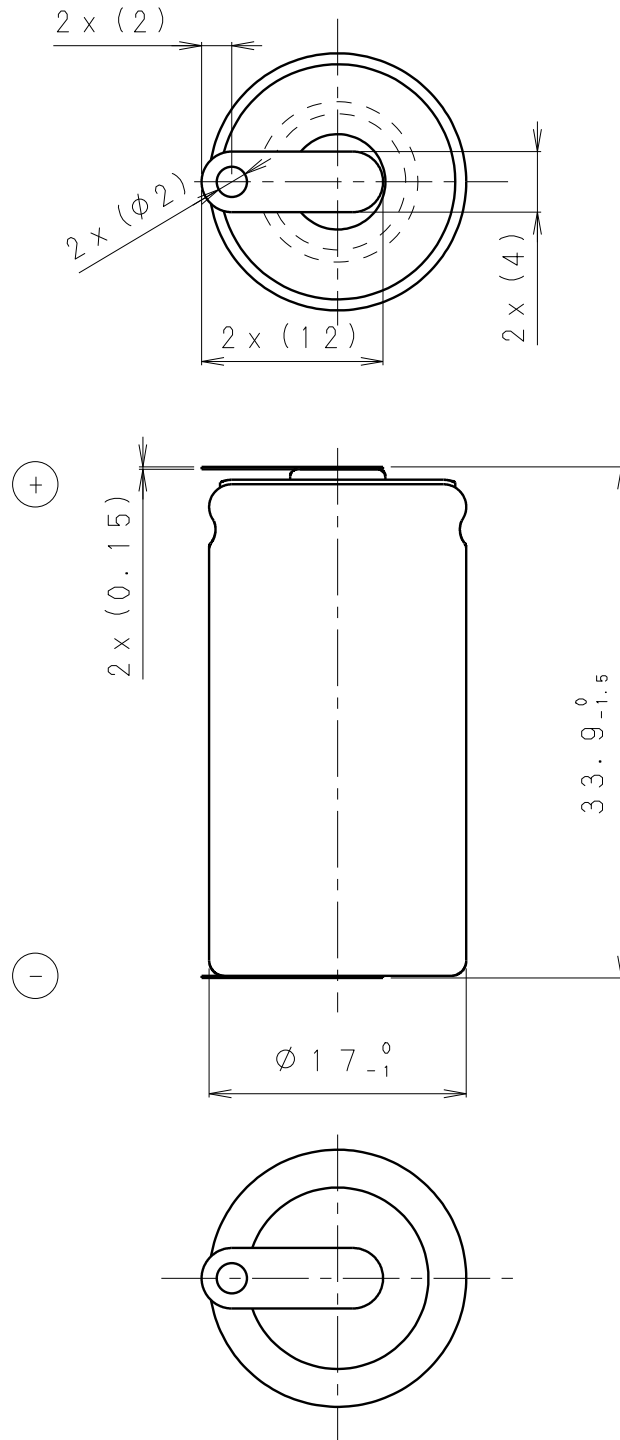
Product No.	CR-2/3AZE2PN	Scale	
		2:1	
Drawing No.	PC-C23AZ0434	Rev.	
		0	



Note [注記]

1. Tab pulling Strength Over 9.8N
[端子溶接強度：9.8N以上]
2. Tab Material: Stainless Steel with Tin plating
[端子材料：基材 ステンレス/表面 部分Snメッキ
3. (): Reference dimension and angle
[() 寸法、角度は参考値]

Product No.	CR-2/3AZT5PN	Scale	
		2:1	
Drawing No.	PC-C23AZ0447	Rev.	
		1	



* Note [注記]

1. Tab pulling Strength Over 9.8N
[端子溶接強度: 9.8N以上]
2. Tab Material: Nickel or Nickel plating steel
[端子材料: 基材 ニッケルもしくはニッケルメッキ鋼板]
3. (): Reference dimension and angle
[() 寸法、角度は参考値]

PRODUCT NO.	BR-2/3AT2SPN	SCALE	
		2:1	
DRAWING NO.	PC-B23A0104	REV.	
		0	

X-ON Electronics

Largest Supplier of Electrical and Electronic Components

Click to view similar products for [Electronic Battery](#) category:

Click to view products by [Panasonic](#) manufacturer:

Other Similar products are found below :

[R88A-BAT02W](#) [TL5902/T](#) [TL-5104/SBP](#) [E300781900](#) [E300782100](#) [1200297](#) [BR-435/BN](#) [B73180A0101M199](#) [13299-0001](#) [R88A-BAT01G](#) [R88A-BAT01W](#) [G4BATT32](#) [M4T32-BR12SH6](#) [LR03AD/4P](#) [13331-0001](#) [ER14505](#) [ER14250](#) [3G2A9BAT08](#) [LR03AD/B](#)
[LR20AD/B](#) [036506R](#) [BR-2/3ASSPN](#)