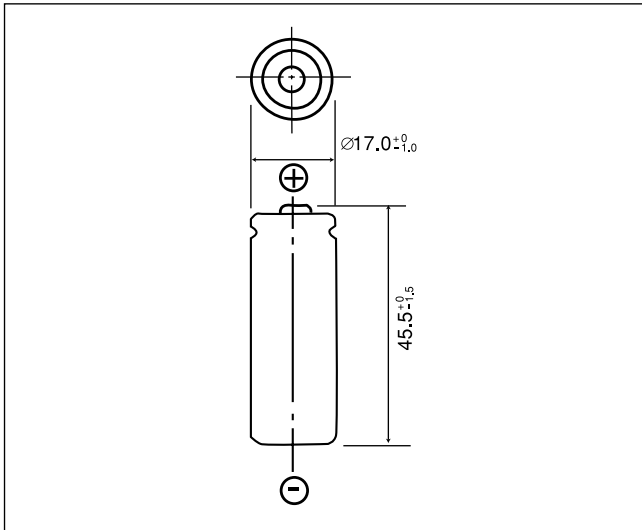


BR-AG

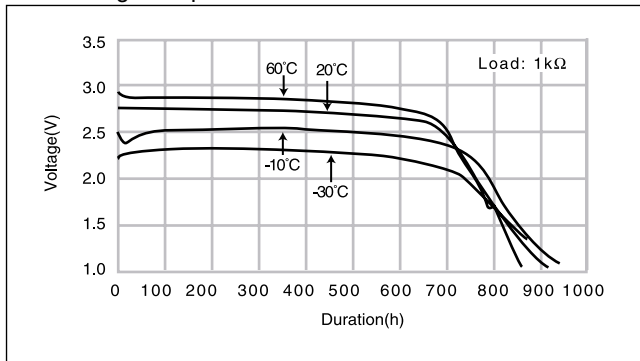
■ Dimensions(mm)



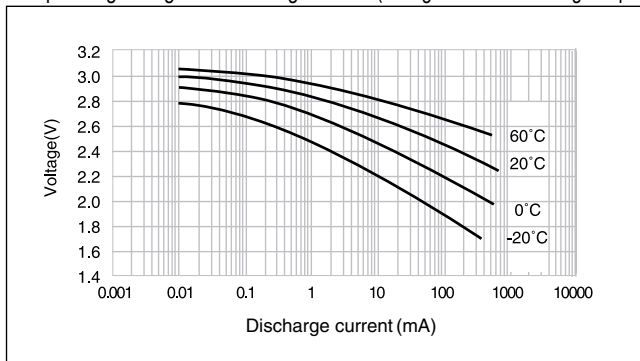
■ Specification

Nominal voltage(V)	3
Nominal capacity(mAh)	2,200
Continuous drain(mA)	2.5
Operating temperature(°C)	-40 to +85

■ Discharge temperature characteristics

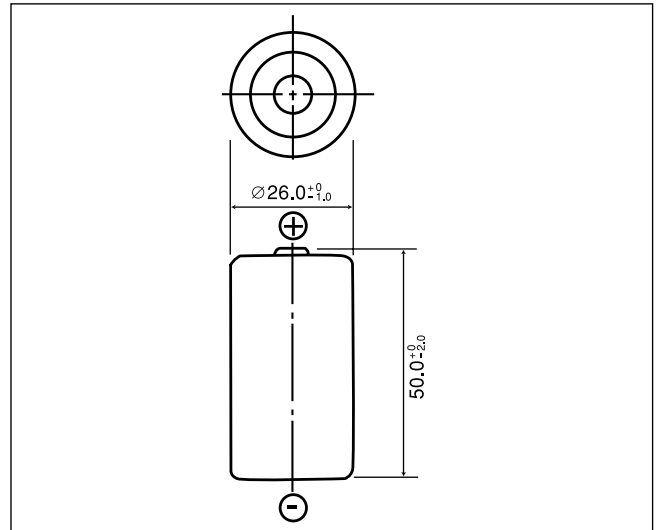


■ Operating voltage vs. Discharge current(voltage at 50% discharge depth)



BR-C

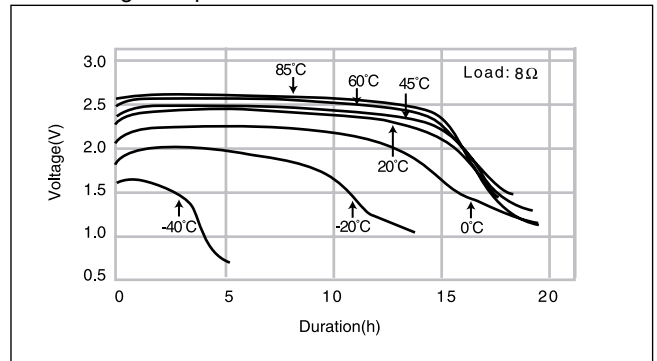
■ Dimensions(mm)



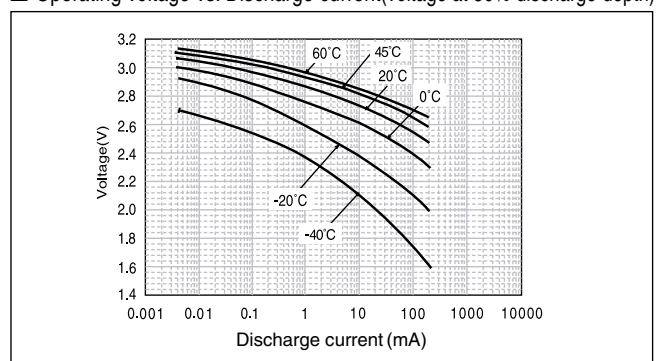
■ Specification

Nominal voltage(V)	3
Nominal capacity(mAh)	5,000
Continuous drain(mA)	5.0
Operating temperature(°C)	-40 to +85

■ Discharge temperature characteristics



■ Operating voltage vs. Discharge current(voltage at 50% discharge depth)



* The data in this document are for descriptive purposes only and are not intended to make or imply any guarantee or warranty.

X-ON Electronics

Largest Supplier of Electrical and Electronic Components

Click to view similar products for [Consumer Battery & Photo Battery](#) category:

Click to view products by [Panasonic](#) manufacturer:

Other Similar products are found below :

[2909830](#) [CR-2PA/1B](#) [CR-2PE/BN](#) [CR-123APA/1B](#) [LR6XWA/3SB](#) [MN1300](#) [LR14XWA/BB](#) [LR20XWA/B](#) [MN1604](#) [MN2400](#)
[LR03XWA/B](#) [LR14XWA/B](#) [LR6XWA/B](#)