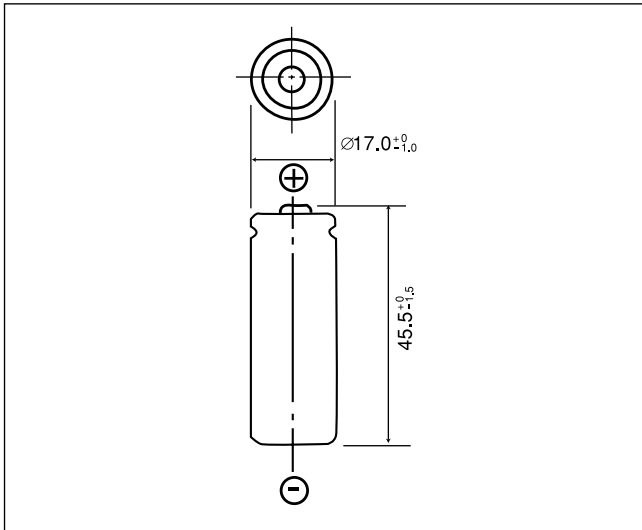


## BR-AG

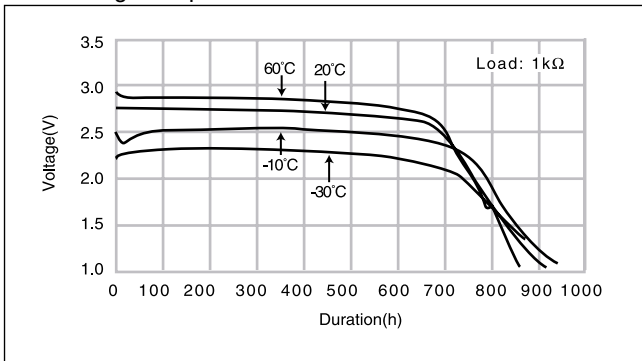
### ■ Dimensions(mm)



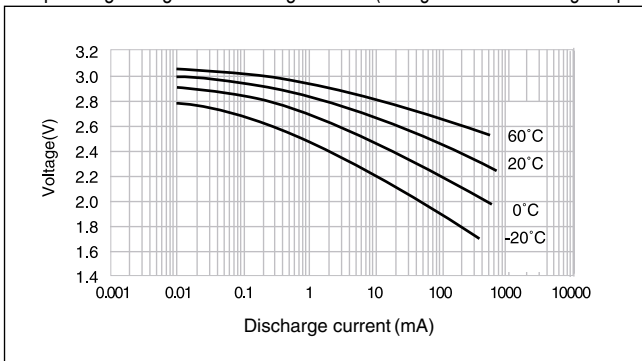
### ■ Specification

|                                  |            |
|----------------------------------|------------|
| <b>Nominal voltage(V)</b>        | 3          |
| <b>Nominal capacity(mAh)</b>     | 2,200      |
| <b>Continuous drain(mA)</b>      | 2.5        |
| <b>Operating temperature(°C)</b> | -40 to +85 |

### ■ Discharge temperature characteristics

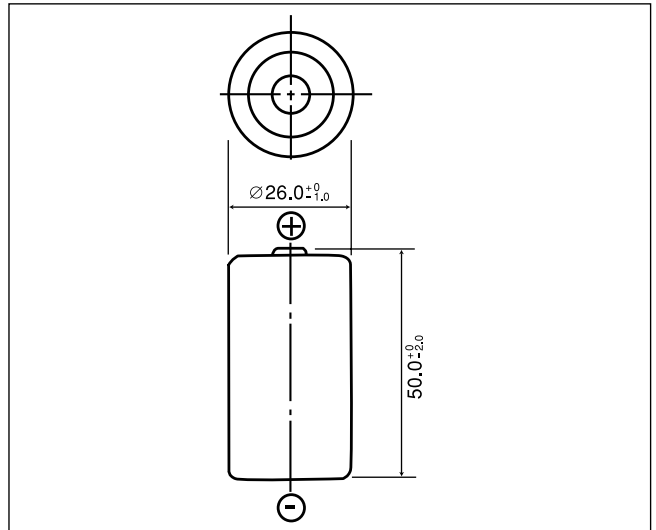


### ■ Operating voltage vs. Discharge current(voltage at 50% discharge depth)



## BR-C

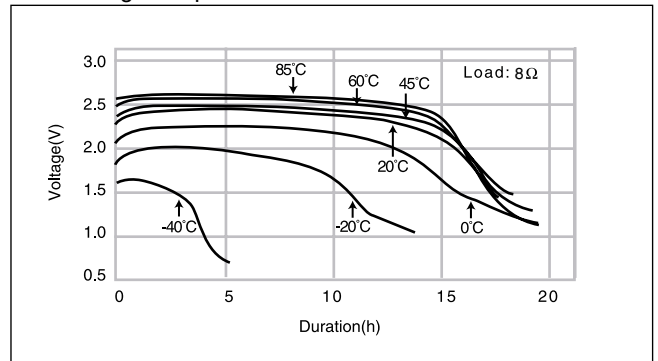
### ■ Dimensions(mm)



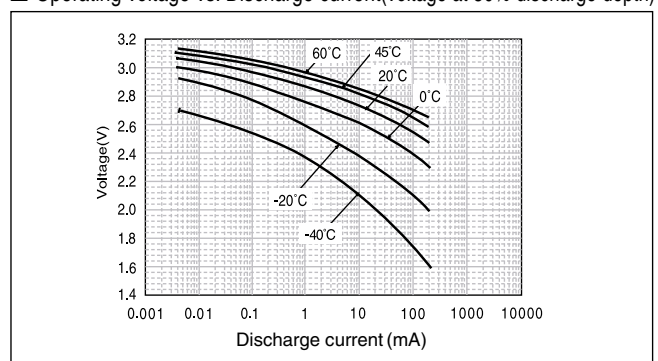
### ■ Specification

|                                  |            |
|----------------------------------|------------|
| <b>Nominal voltage(V)</b>        | 3          |
| <b>Nominal capacity(mAh)</b>     | 5,000      |
| <b>Continuous drain(mA)</b>      | 5.0        |
| <b>Operating temperature(°C)</b> | -40 to +85 |

### ■ Discharge temperature characteristics



### ■ Operating voltage vs. Discharge current(voltage at 50% discharge depth)



## **X-ON Electronics**

Largest Supplier of Electrical and Electronic Components

*Click to view similar products for [Electronic Battery](#) category:*

*Click to view products by [Panasonic](#) manufacturer:*

Other Similar products are found below :

[R88A-BAT02W](#) [TL5902/T](#) [TL-5104/SBP](#) [E300781900](#) [E300782100](#) [1200297](#) [BR-435/BN](#) [B73180A0101M199](#) [13299-0001](#) [R88A-BAT01G](#) [R88A-BAT01W](#) [G4BATT32](#) [M4T32-BR12SH6](#) [LR03AD/4P](#) [13331-0001](#) [ER14505](#) [ER14250](#) [3G2A9BAT08](#) [LR03AD/B](#)  
[LR20AD/B](#) [036506R](#) [BR-2/3ASSPN](#)