

RoHS compliant

### FEATURES

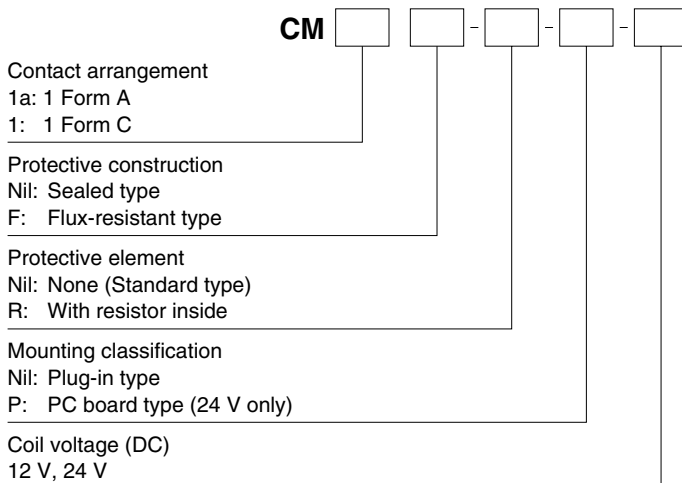
- **Micro-ISO type terminals**
- **Small size:**  
20 mm(L)×15 mm(W)×22 mm(H)  
.787 inch(L)×.591 inch(L)×.866 inch(H)
- **Wide line-up**  
PC board and Plug-in type, Resistor inside type.  
24V DC type is also available.
- **Compact and high-capacity 35A load switching**  
N.O.: 35A 14V DC, N.C.: 20A 14V DC (Sealed type)  
Min.  $5 \times 10^4$   
N.O.: 35A 14V DC, N.C.: 20A 14V DC (Flux-resistant type)  
Min.  $10^5$  \*12V DC type

- **Uses international standard ISO terminal arrangement.**  
The ISO international standard terminal arrangement is used.

### TYPICAL APPLICATIONS

- Fan motor
- Heater
- Head lamp
- Air Compressor
- ABS
- Blower fan
- Defogger, etc.

### ORDERING INFORMATION



### TYPES

#### Standard type

| Contact arrangement | Coil voltage | Plug-in type |                     | PC board type |                     |
|---------------------|--------------|--------------|---------------------|---------------|---------------------|
|                     |              | Sealed type  | Flux-resistant type | Sealed type   | Flux-resistant type |
|                     |              | Part No.     | Part No.            | Part No.      | Part No.            |
| 1 Form A            | 12 V DC      | CM1a-12V     | CM1aF-12V           | —             | —                   |
|                     | 24 V DC      | CM1a-24V     | CM1aF-24V           | CM1a-P-24V    | CM1aF-P-24V         |
| 1 Form C            | 12 V DC      | CM1-12V      | CM1F-12V            | —             | —                   |
|                     | 24 V DC      | CM1-24V      | CM1F-24V            | CM1-P-24V     | CM1F-P-24V          |

Standard packing; Carton: 50 pcs.; Case: 200 pcs.

Note: Please use "CM\*-R-\*" built-in resistor type. (Asterisks "\*" should be filled in from ORDERING INFORMATION.)

**RATING**

**1. Coil data**

| Nominal coil voltage | Pick-up voltage (at 20°C 68°F) | Drop-out voltage (at 20°C 68°F) | Nominal operating current [ $\pm 10\%$ ] (at 20°C 68°F) | Coil resistance [ $\pm 10\%$ ] (at 20°C 68°F) | Nominal operating power | Usable voltage range |
|----------------------|--------------------------------|---------------------------------|---|---|-------------------------|----------------------|
| 12 V DC              | 3 to 7 V DC                    | 1.2 to 4.2 V DC                 | 125 mA  | 96 $\Omega$                                   | 1.5 W                   | 10 to 16V DC         |
| 24 V DC              | 6 to 14 V DC                   | 2.4 to 8.4 V DC                 | 75 mA   | 320 $\Omega$                                  | 1.8 W                   | 20 to 32V DC         |

**2. Specifications**

| Characteristics                                  | Item  | Specifications   |   |   |   |
|--|---|--|---|---|---|
|  |   | 12 V DC  |   | 24 V DC   |   |
| Contact  | Arrangement   | 1 Form A   | 1 Form C  | 1 Form A  | 1 Form C  |
|  | Contact resistance (Initial)                        | Typ 2m $\Omega$ (By voltage drop 6V DC 1A)   |   |   |   |
|  | Contact voltage drop (after electrical life test)   | N.O.: Max. 0.5 V (By voltage drop 14 V DC 35 A)  | N.O.: Max. 0.5 V (By voltage drop 14 V DC 35 A)<br>N.C.: Max. 0.3 V (By voltage drop 14 V DC 20 A)                        | N.O.: Max. 0.3 V (By voltage drop 28 V DC 15 A) | N.O.: Max. 0.3 V (By voltage drop 28 V DC 15 A)<br>N.C.: Max. 0.2 V (By voltage drop 28 V DC 8 A) |
|  | Contact material                                    | Ag alloy (Cadmium free)  |   |   |   |
| Rating   | Nominal switching capacity (resistive load)         | N.O.: 35 A 14V DC  | N.O.: 35 A 14V DC<br>N.C.: 20 A 14V DC  | N.O.: 15 A 28V DC                               | N.O.: 15 A 28V DC<br>N.C.: 8 A 28V DC   |
|  | Max. carrying current (at 85°C 185°F, continuous)   | N.O.: 20 A 14V DC  | N.O.: 20 A 14V DC<br>N.C.: 10 A 14V DC  | N.O.: 15 A 28V DC                               | N.O.: 15 A 28V DC<br>N.C.: 8 A 28V DC   |
|  | Nominal operating power                             | 1.5 W, 1.7 W (with resistor inside type)   |   | 1.8 W, 2.0 W (with resistor inside type)        |   |
|  | Min. switching capacity (resistive load)*1          | 1 A 14V DC   |   | 1 A 24V DC                                      |   |
| Electrical characteristics                       | Insulation resistance (Initial)                     | Min. 20 M $\Omega$ (at 500V DC, Measurement at same location as "Breakdown voltage" section.)  |   |   |   |
|  | Breakdown voltage (Initial)                         | Between open contacts  | 500 Vrms for 1 min. (Detection current: 10mA)   |   |   |
|  |   | Between contacts and coil  | 500 Vrms for 1 min. (Detection current: 10mA)   |   |   |
|  | Operate time (at nominal voltage) (at 20°C 68°F)    | Max. 10ms (excluding contact bounce time) (Initial)  |   |   |   |
| Release time (at nominal voltage) (at 20°C 68°F) | Max. 10ms (excluding contact bounce time) (Initial) |  |   |   |   |
| Mechanical characteristics                       | Shock resistance                                    | Functional   | Min. 200 m/s <sup>2</sup> {20G} (Half-wave pulse of sine wave: 11ms; detection time: 10 $\mu$ s)                          |   |   |
|  |   | Destructive  | Min. 1,000 m/s <sup>2</sup> {100G} (Half-wave pulse of sine wave: 6ms)  |   |   |
|  | Vibration resistance                                | Functional   | 10 Hz to 500 Hz, Min. 44.1 m/s <sup>2</sup> {4.5G}  |   |   |
|  |   | Destructive  | 10 Hz to 2,000 Hz, Min. 44.1 m/s <sup>2</sup> {4.5G},<br>Time of vibration for each direction; X, Y, Z direction: 4 hours |   |   |
| Expected life                                    | Mechanical (at 120 cpm)                             | Min. 10 <sup>6</sup>   |   |   |   |
|  | Electrical (operating frequency: 2s ON, 2s OFF)     | Flux-resistant type: Min. 10 <sup>5</sup> , Sealed type: Min. 5 $\times$ 10 <sup>4</sup>   |   |   |   |
| Conditions                                       | Conditions for operation, transport and storage*2   | Ambient temperature: -40°C to +85°C -40°F to +185°F*3,<br>Humidity: 5% R.H. to 85% R.H. (Not freezing and condensing at low temperature),<br>Air pressure: 86 to 106 kPa |   |   |   |
| Mass   |   | Approx. 20 g .71 oz  |   |   |   |

Notes: \*1. This value can change due to the switching frequency, environmental conditions, and desired reliability level, therefore it is recommended to check this with the actual load.

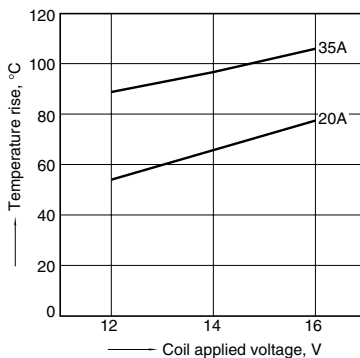
\*2. The upper operation ambient temperature limit is the maximum temperature that can satisfy the coil temperature rise value. Please refer to "Usage ambient condition" in CAUTIONS FOR USE OF AUTOMOTIVE RELAYS.

\*3. Please inquire if you will be using the relay in a high temperature atmosphere.

**REFERENCE DATA**

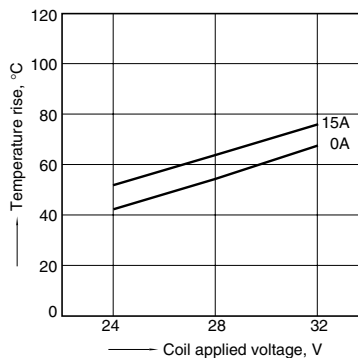
1.-(1) Coil temperature rise (12V type, 85°C 185°F)

Sample: CM1F-12V, 3 pcs.  
Measured portion: Inside the coil  
Contact carrying current: 20A, 35A  
Ambient temperature: 85°C 185°F

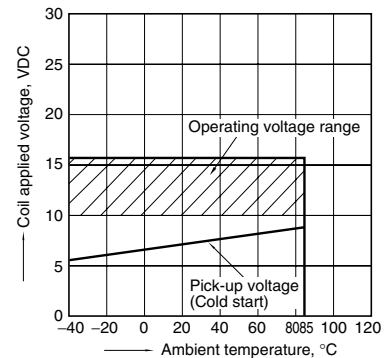


1.-(2) Coil temperature rise (24V type, 85°C 185°F)

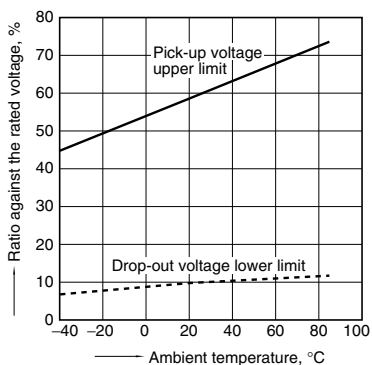
Sample: CM1F-24V, 4 pcs.  
Measured portion: Inside the coil  
Contact carrying current: 0A, 15A  
Ambient temperature: 85°C 185°F



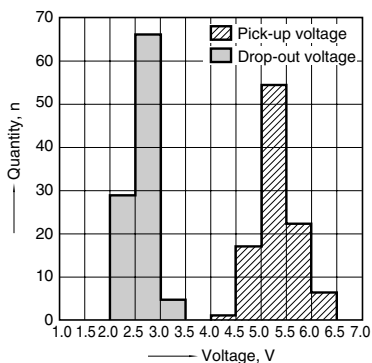
2. Ambient temperature and operating voltage range (12V type)



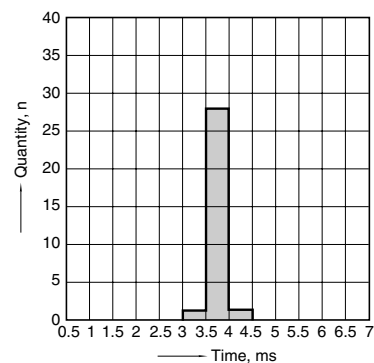
3. Ambient temperature characteristics (Cold/initial)



4. Distribution of pick-up and drop-out voltage  
Sample: CM1F-12V, 100pcs.

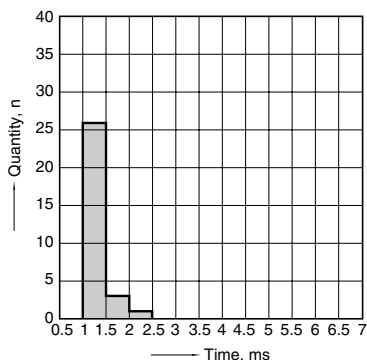


5. Distribution of operate time  
Sample: CM1F-12V, 100pcs.  
\* Max. 10ms standard (excluding contact bounce)



6. Distribution of release time

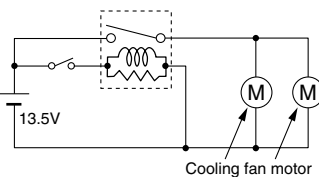
Sample: CM1F-12V, 30pcs.  
\* Max. 10ms standard (excluding contact bounce)



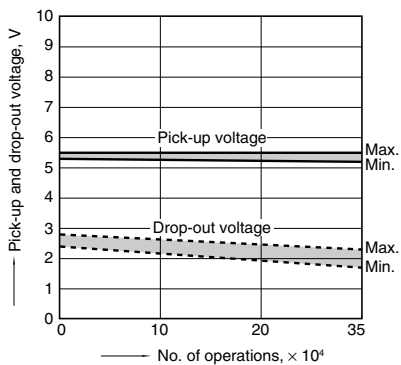
7.-(1) Electrical life test (Motor free)

Sample: CM1aF-R-12V, 6pcs.  
Load: 16 A 13.5 V DC  
Cooling fan motor actual load (free condition)  
Operating frequency: ON 2s, OFF 6s  
Ambient temperature: Room temperature

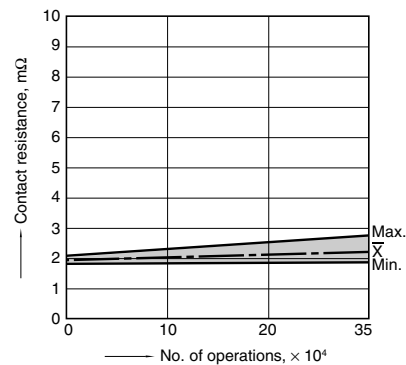
Circuit



Change of pick-up and drop-out voltage

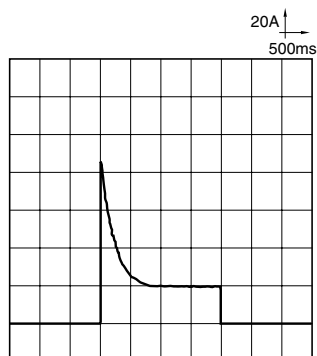


Change of contact resistance



Load current waveform

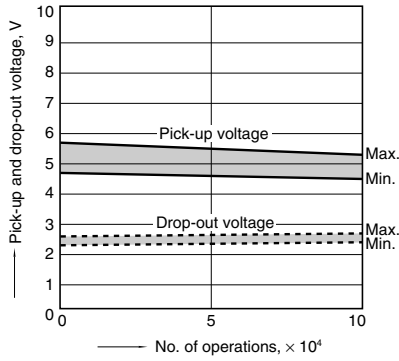
Inrush current: 85A, Steady current: 18A,



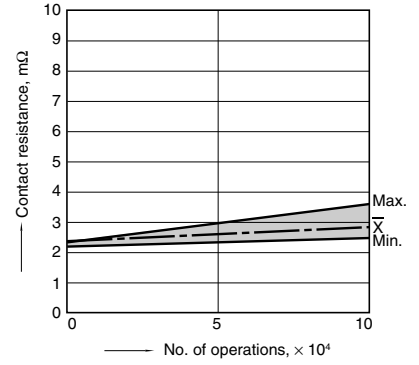
## 7.-(2) Electrical life test (Halogen lamp load)

Sample: CM1aF-R-12V, 6pcs.  
 Load: 20A 13.5V DC  
 Operating frequency: ON 1s, OFF 14s  
 Ambient temperature: Room temperature

## Change of pick-up and drop-out voltage



## Change of contact resistance



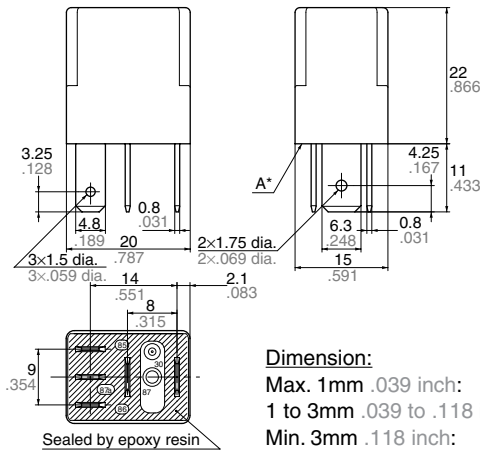
## DIMENSIONS (mm inch)

The CAD data of the products with a **CAD Data** mark can be downloaded from: <http://industrial.panasonic.com/ac/e/>

### 1. Plug-in type (1 Form C)

**CAD Data**

#### External dimensions



#### Dimension:

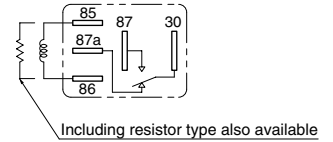
Max. 1mm .039 inch:  
 1 to 3mm .039 to .118 inch:  
 Min. 3mm .118 inch:

#### General tolerance

$\pm 0.1 \pm 0.04$   
 $\pm 0.2 \pm 0.08$   
 $\pm 0.3 \pm 0.12$

\* Intervals between terminals is measured at A surface level.

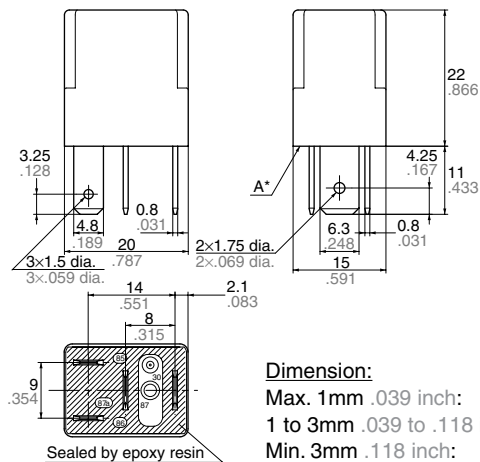
#### Schematic (Bottom view)



### 2. Plug-in type (1 Form A)

**CAD Data**

#### External dimensions



#### Dimension:

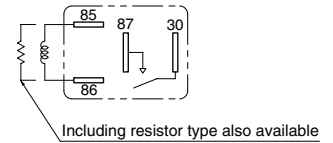
Max. 1mm .039 inch:  
 1 to 3mm .039 to .118 inch:  
 Min. 3mm .118 inch:

#### General tolerance

$\pm 0.1 \pm 0.04$   
 $\pm 0.2 \pm 0.08$   
 $\pm 0.3 \pm 0.12$

\* Intervals between terminals is measured at A surface level.

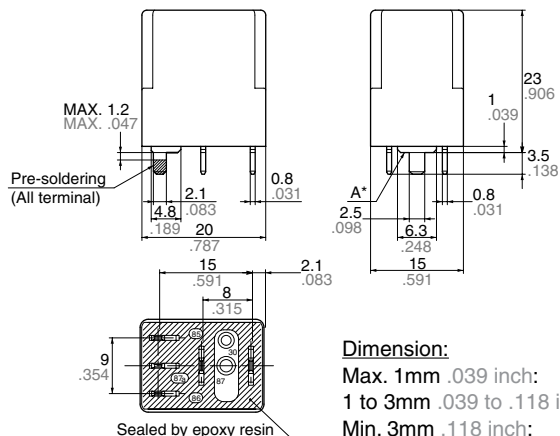
#### Schematic (Bottom view)



### 3. PC board type (1 Form C) \*24V only

**CAD Data**

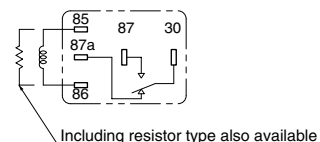
External dimensions



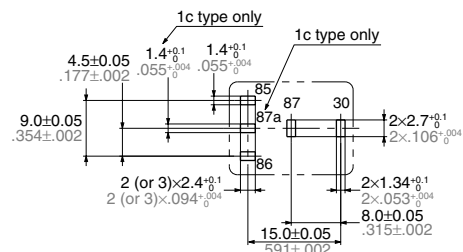
**Dimension:**  
 Max. 1mm .039 inch:  
 1 to 3mm .039 to .118 inch:  
 Min. 3mm .118 inch:

**General tolerance**  
 ±0.1 ±.004  
 ±0.2 ±.008  
 ±0.3 ±.012

Schematic (Bottom view)



PC board pattern (Bottom view)



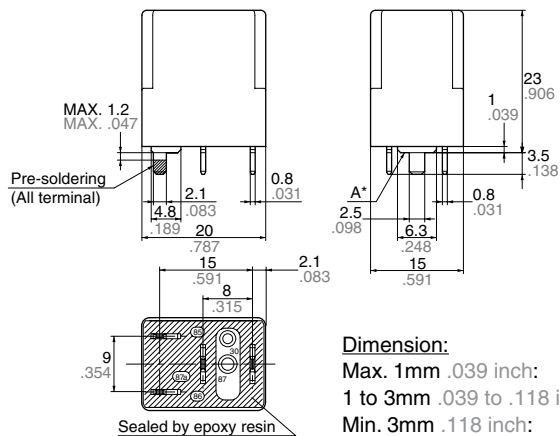
Tolerance: ±0.1 ±.004

\* Dimensions (thickness and width) of terminal is measured before pre-soldering.  
 Intervals between terminals is measured at A surface level.

### 4. PC board type (1 Form A) \*24V only

**CAD Data**

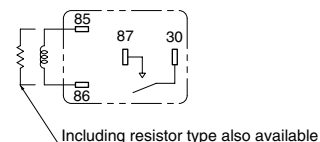
External dimensions



**Dimension:**  
 Max. 1mm .039 inch:  
 1 to 3mm .039 to .118 inch:  
 Min. 3mm .118 inch:

**General tolerance**  
 ±0.1 ±.004  
 ±0.2 ±.008  
 ±0.3 ±.012

Schematic (Bottom view)



\* Dimensions (thickness and width) of terminal is measured before pre-soldering.  
 Intervals between terminals is measured at A surface level.

## NOTES

### 1. Soldering

Max. 350°C 662°F (solder temperature),  
 within 3 seconds (soldering time)  
 The effect on the relay depends on the  
 actual PC board used. Please verify the  
 PC board to be used.

**For general cautions for use, please refer to the “CAUTIONS FOR USE OF AUTOMOTIVE RELAYS”**

## X-ON Electronics

Largest Supplier of Electrical and Electronic Components

*Click to view similar products for [General Purpose Relays](#) category:*

*Click to view products by [Panasonic](#) manufacturer:*

Other Similar products are found below :

[APF30318](#) [JVN1AF-4.5V-F](#) [PCN-105D3MHZ](#) [5JO-10000S-SIL](#) [5JO-1000CD-SIL](#) [5JO-400CD-SIL](#) [LY2S-AC220/240](#) [LYQ20DC12](#)  
[6031007G](#) [6131406HQ](#) [6-1393099-3](#) [6-1393099-8](#) [6-1393122-4](#) [6-1393123-2](#) [6-1393767-1](#) [6-1393843-7](#) [6-1415012-1](#) [6-1419102-2](#) [6-](#)  
[1423698-4](#) [6-1608051-6](#) [6-1608067-0](#) [6-1616170-6](#) [6-1616248-2](#) [6-1616282-3](#) [6-1616348-2](#) [6-1616350-1](#) [6-1616350-8](#) [6-1616358-7](#) [6-](#)  
[1616359-9](#) [6-1616360-9](#) [6-1616931-6](#) [6-1617039-1](#) [6-1617052-1](#) [6-1617090-2](#) [6-1617090-5](#) [6-1617347-5](#) [6-1617353-3](#) [6-1617801-8](#) [6-](#)  
[1617802-2](#) [6-1618107-9](#) [6-1618248-4](#) [M83536/1-027M](#) [CX-4014](#) [MAHC-5494](#) [MAVCD-5419-6](#) [703XCX-120A](#) [7-1393100-5](#) [7-1393111-7](#)  
[7-1393144-5](#) [7-1393767-8](#)