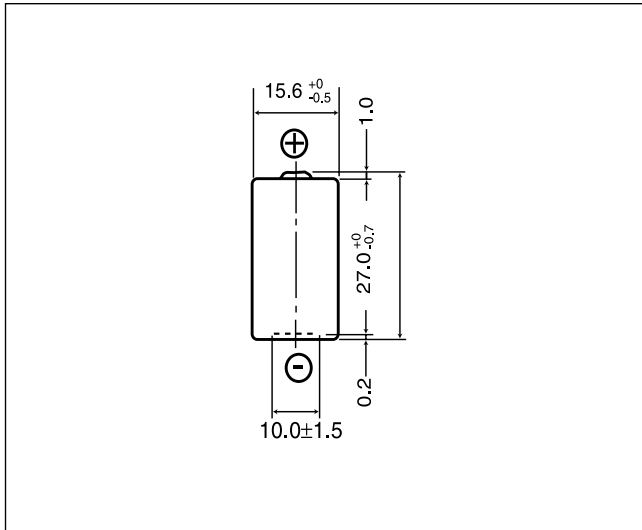


## CR2

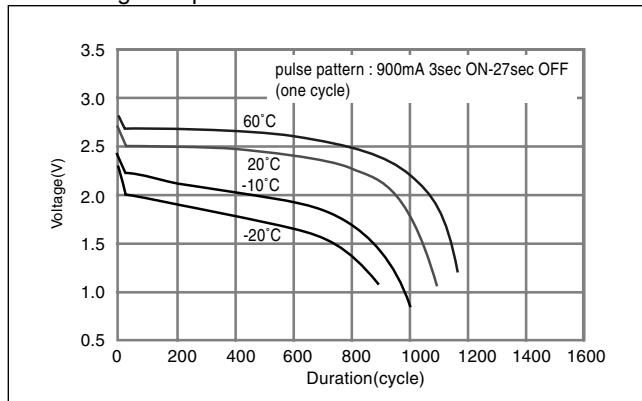
### ■ Dimensions(mm)



### ■ Specification

<b>Nominal voltage(V)</b>	3
<b>Nominal capacity(mAh)</b>	850
<b>Continuous drain(mA)</b>	20
<b>Operating temperature(°C)</b>	-40 to +70*

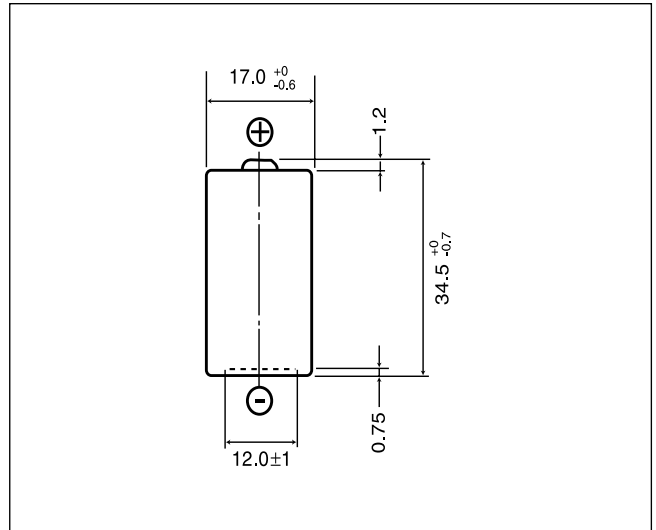
### ■ Discharge temperature characteristics



\* Please consult Panasonic for use below and above -20°C to +60°C.

## CR123A

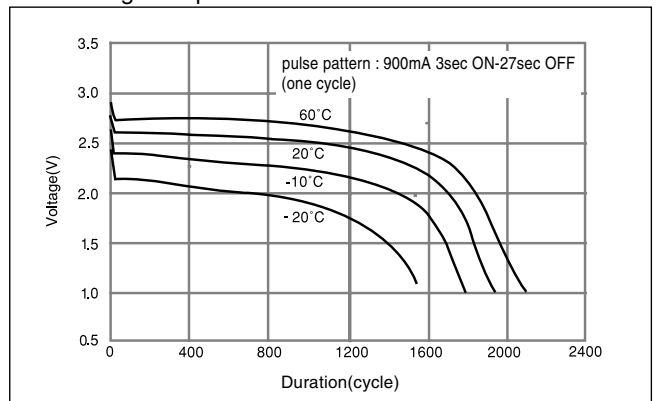
### ■ Dimensions(mm)



### ■ Specification

<b>Nominal voltage(V)</b>	3
<b>Nominal capacity(mAh)</b>	1,550
<b>Continuous drain(mA)</b>	20
<b>Operating temperature(°C)</b>	-40 to +70*

### ■ Discharge temperature characteristics



\* Please consult Panasonic for use below and above -20°C to +60°C.

## **X-ON Electronics**

Largest Supplier of Electrical and Electronic Components

*Click to view similar products for [Consumer Battery & Photo Battery](#) category:*

*Click to view products by [Panasonic](#) manufacturer:*

Other Similar products are found below :

[2909830](#) [CR-2PA/1B](#) [CR-2PE/BN](#) [CR-123APA/1B](#) [LR6XWA/3SB](#) [MN1300](#) [LR14XWA/BB](#) [LR20XWA/B](#) [MN1604](#) [MN2400](#)  
[LR03XWA/B](#) [LR14XWA/B](#) [LR6XWA/B](#)