

CRV3

LITHIUM MANGANESE DIOXIDE



Features & Benefits

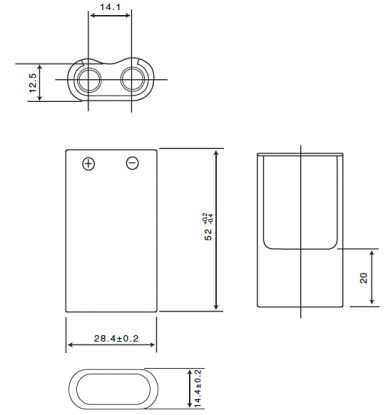
- Operating temperature range between -40° C to +70° C
- High current pulse discharge capability
- Stable voltage level during discharge
- High safety and reliability

Specifications

Nominal Capacity:	3000 mAh
Nominal Voltage:	3V
Weight:	Approximately 39g
Operating Temperature:	-40°C - +70°C*

*Please consult Panasonic for use below and above -20°C to +60°C

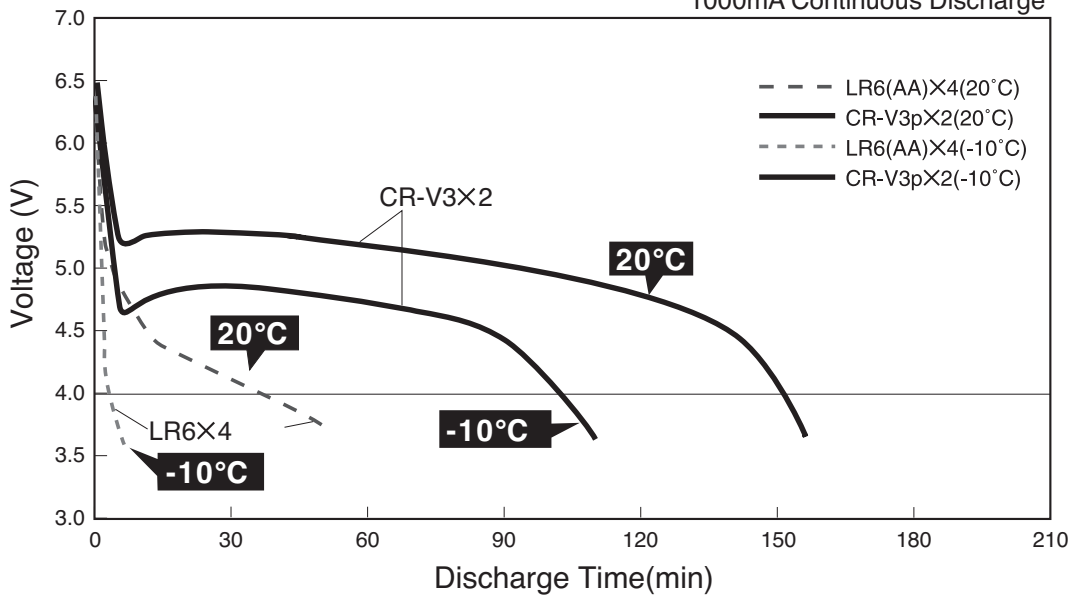
Dimensions



Discharge Characteristics

Discharge Characteristics of CR-V3p(2pc)and" AA" Alkaline Cell (LR6,4pcs)

1000mA Continuous Discharge



X-ON Electronics

Largest Supplier of Electrical and Electronic Components

Click to view similar products for [Consumer Battery & Photo Battery category](#):

Click to view products by [Panasonic manufacturer](#):

Other Similar products are found below :

[6LR61AD/B](#) [2909830](#) [CR-2PA/1B](#) [CR-123APA/1B](#) [LR14XWA/B12](#) [LR6XWA/3SB](#) [6LF22XWA/B12](#) [6LF22XWA/B](#) [LR03XWA/B24](#)
[LR14XWA/B](#) [LR6XWA/B](#) [LR6XWA/B24](#)