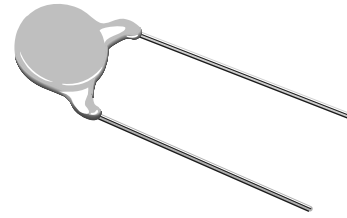


Ceramic Disc Capacitors for Safety Regulations

Type: GL



■ Features

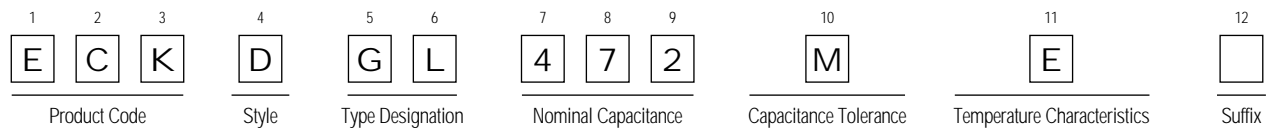
Ceramic disc capacitors, "Type GL," rated 250 VAC, are recognized by UL.

(Recognized type designation: Type GL).

■ Recommended Applications

- Line bypass and across-the-line
- Switching surge killer, etc.

■ Explanation of Part Numbers



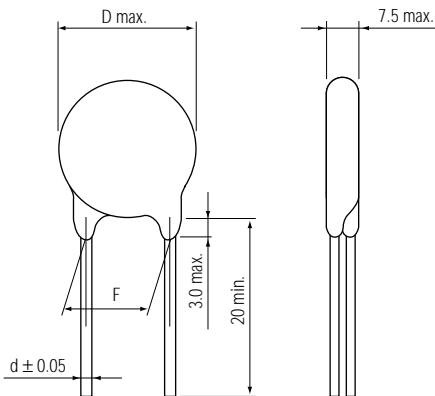
■ Specifications

Operating temperature range	-25 to 85°C		
Rated voltage	Applicable standard		Rated voltage
	UL		250 VAC
	CSA		125 VAC
Dielectric withstanding voltage	1500 VAC (50/60 Hz) for 1 minute		
Capacitance	Within the tolerance, when measured at 1 kHz \pm 20%, 1 Vrms and 20°C		
Dissipation factor (tan δ)	B/Y5P/2B4: 0.025 max.; E/Y5U/2E4: 0.025 max., V: 0.05 max.		
Insulation resistance	10,000 M Ω min. at 500 VDC and 1 minute electrification		
Temperature characteristics (Reference temperature: 20°C)	T.C.	Capacitance Change	Temperature Range
	B/Y5P/2B4	\pm 10% max.	-25 to 85°C
	E/Y5U/2E4	+20/-55% max.	-25 to 85°C
	V	+30/-80% max.	0 to 70°C

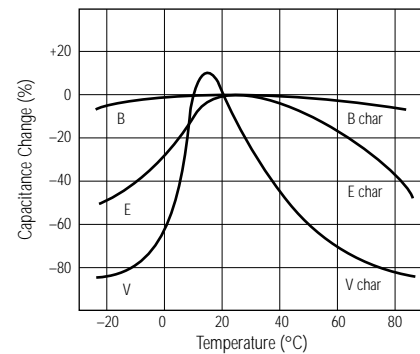
■ Related Standards and Certificate Numbers (Type NS-A)

Related Standards	Certificate Number/File Number
UL 1414	E62674 (Rated 250 VAC)
CSA C22.2	LR58064-7 (Rated 125 VAC)

■ Dimensions in mm (not to scale)



■ Typical Temperature Characteristics



■ Ratings and Characteristics

Part Number	Nominal Capacitance (pF)	Tolerance (%)	Temperature Characteristics	Dimensions in mm			
				D max.	T max.	F	d
ECKDGL101MB	100	±20	B	8.0	5.5	7.5±1.5	0.65
ECKDGL151MB	150	—20	B	8.0	5.5	7.5±1.5	0.65
CKDGL221MB	220	—20	B	8.0	5.5	7.5±1.5	0.65
CKDGL331MB	330	—20	B	8.0	5.5	7.5±1.5	0.65
CKDGL471MB	470	—20	B	9.0	5.5	7.5±1.5	0.65
CKDGL681MB	680	—20	B	9.0	5.5	7.5±1.5	0.65
CKDGL102MB	1000	—20	E	9.0	5.5	7.5±1.5	0.65
CKDGL152MB	1500	—20	E	11.0	5.5	7.5±1.5	0.65
CKDGL222MB	2200	—20	E	12.0	5.5	7.5±1.5	0.65
CKDGL332MB	3300	—20	E	15.0	5.5	10.0±1.5	0.65
CKDGL472MB	4700	—20	E	17.0	5.5	10.0±1.5	0.65
CKDGL472ZV	4700	+80, -20	V	12.0	5.5	7.5±1.5	0.65
CKDGL103ZV	10000	+80, -20	V	17.0	5.5	10.0±1.5	0.65

Note: Radial taped versions are available on request.

X-ON Electronics

Largest Supplier of Electrical and Electronic Components

Click to view similar products for [Ceramic Disc Capacitors](#) category:

Click to view products by [Panasonic](#) manufacturer:

Other Similar products are found below :

[009377XM](#) [5AS560JCFCA](#) [5AU100JCECA](#) [5AU470JCJCA](#) [DEF2CLH020CA3B](#) [HSE102MAQBF0KR](#) [432202101621](#) [432202282431](#)
[DEF2CLH030CJ3B](#) [W1X223MCVCF0KR](#) [564RC0GBA302EJ470K](#) [5AS270JCDCA](#) [5AS330JCDCA](#) [5AU330JCGCA](#)
[DE1E3KX222MJ4BN01F](#) [440LT68AP-R](#) [JN222MQ47FAAAAKPLP](#) [H8000090-245](#) [H8000090-225RY](#) [H8000090-309RY](#) [H8000090-](#)
[291RY](#) [F471K39S3NR63K7R](#) [DEF2CLH040CN3A](#) [DEF2CLH080DA3B](#) [564R3DF0T22](#) [CC2150KY5P1KVB5LS-LF](#)
[CC2180KY5P1KVB5LS-LF](#) [CC2470KY5P1KVB5LS-LF](#) [CC2820KY5P1KVB5LS-LF](#) [0838-040-X7R0-220K](#) [JN102MQ35FAAAAKPLP](#)
[0841-040-X5U0-103M](#) [CCH-6K8-5/1000V](#) [140-50N2-101J-TB-RC](#) [ECK-DGL102ME](#) [562R5GAD47RR](#) [S103K75Y5PN8BT0R](#)
[615R100GAD10](#) [615R150GAD10](#) [NCD100K1KVSLF](#) [NCD682M1KVZ5UF](#) [CCK-100N](#) [CCK-100P](#) [CCK-22N](#) [CCK-2N2](#) [CCK-47N](#) [CCK-](#)
[47P](#) [CCK-4N7](#) [CCK-4P7](#) [CK45-B3FD681KYNNA](#)